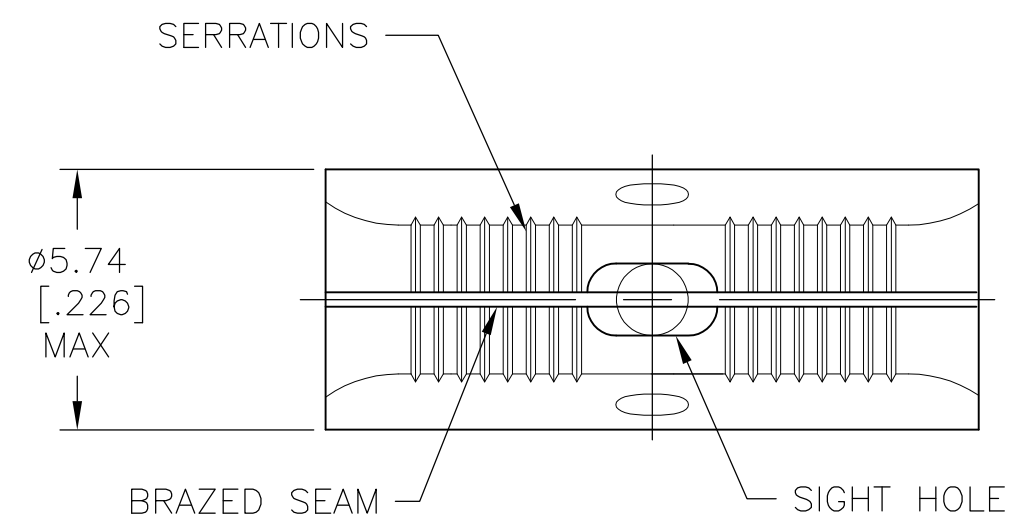
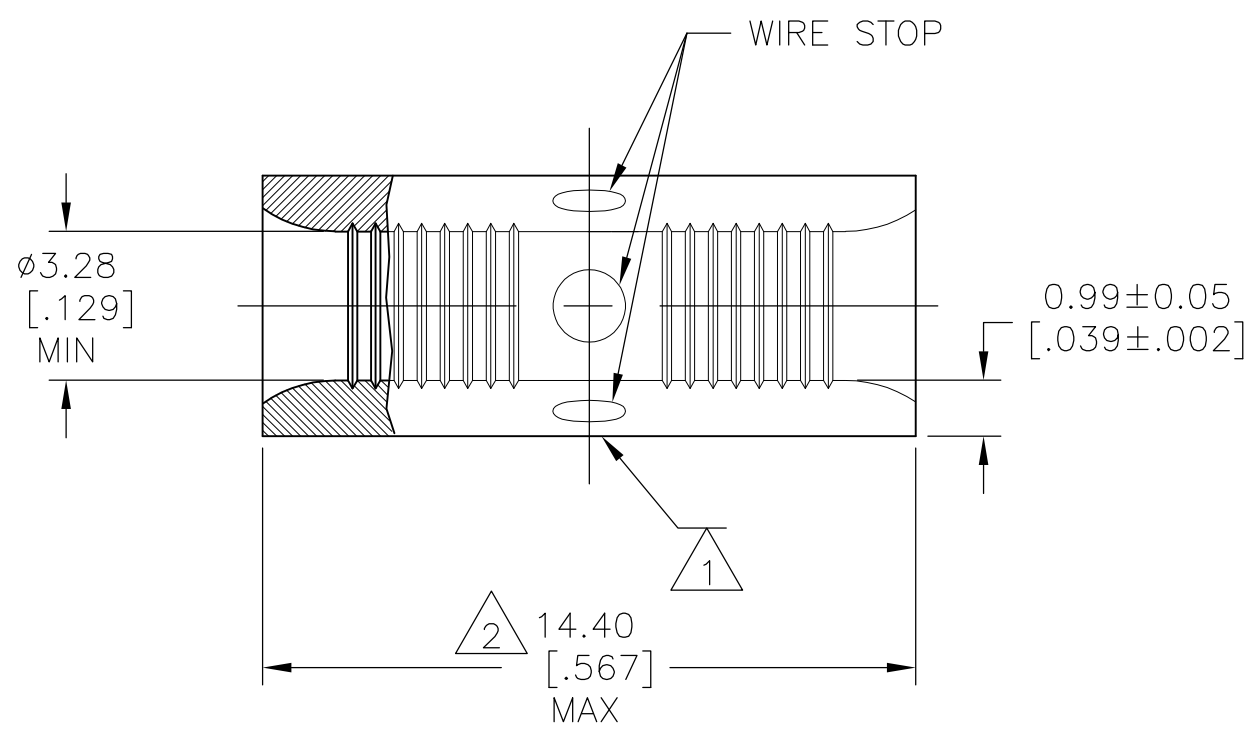


THIS DRAWING IS UNPUBLISHED. RELEASED FOR PUBLICATION
 © COPYRIGHT BY TYCO ELECTRONICS CORPORATION. ALL INTERNATIONAL RIGHTS RESERVED.

LOC	DIST	REVISIONS					
		P	LTR	DESCRIPTION	DATE	DWN	APVD
G	14		E1	REDRAWN PER ECO-10-021357	200CT10	HMR	DR



- 1 STAMP AMP 12-10* APPROX AS SHOWN
- 2 MAXIMUM LENGTH DOES NOT INCLUDE MANUFACTURING TABS
- 3 MATERIAL: COPPER PER ASTM-B152 ANNEALED
- 4 FINISH: TIN PLATE 0.00254 [.000100] MIN THK PER ASTM-B545



AMP WIRE RANGE	E13288 Listed
12-10 AWG SOLID OR STRANDED	12-10 AWG STRANDED

LR7189 Certified	MILITARY P/N AND CLASS
12-10 AWG SOLID OR STRANDED	NOT APPLICABLE

50	LOOSE PIECE, BOX	8-330369-2
-	LOOSE PIECE	330369
QTY	PART NO.	PART NO.

CUSTOMER SERVICE SYSTEMS	
FOR ADDITIONAL PRODUCT INFORMATION OR COPIES OF DRAWINGS AND TECHNICAL DOCUMENTS	PRODUCT INFORMATION CENTER 1-800-522-6752
FOR APPLICATION TOOLING INFORMATION	TOOLING ASSISTANCE CENTER 1-800-722-1111
FOR ORDER ENTRY	1-800-526-5142

MAX RECOMMENDED OPERATING TEMPERATURE: 170°C MAX
VOLTAGE RATING: N/A
WIRE CROSS SECTIONAL AREA RANGE: 2.62-6.64mm ² [5,180-13,100] CIR MILS SOLID OR STRANDED

THIS DRAWING IS A CONTROLLED DOCUMENT.	
DIMENSIONS: mm [INCHES]	TOLERANCES UNLESS OTHERWISE SPECIFIED:
	0 PLC ± -
	1 PLC ± -
	2 PLC ± -
	3 PLC ± 0.20 [.008]
	4 PLC ± -
	ANGLES ± -
MATERIAL	FINISH
3	4

DWN	200CT10	RAGHAVENDRA
CHK	200CT10	ROHDE DANIEL
APVD	200CT10	ROHDE DANIEL
PRODUCT SPEC	-	
APPLICATION SPEC	-	
WEIGHT	-	

Tyco Electronics Corporation Harrisburg, PA 17105-3608			
NAME SPLICE, BUTT, SIGHT HOLE, SOLISTRAND			
SIZE	CAGE CODE	DRAWING NO	RESTRICTED TO
A3	00779	G-330369	-
CUSTOMER DRAWING		SCALE 4:1	SHEET 1 OF 1 REV E1