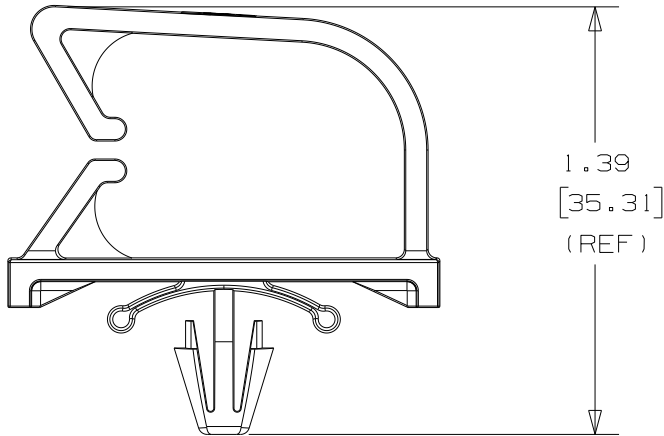
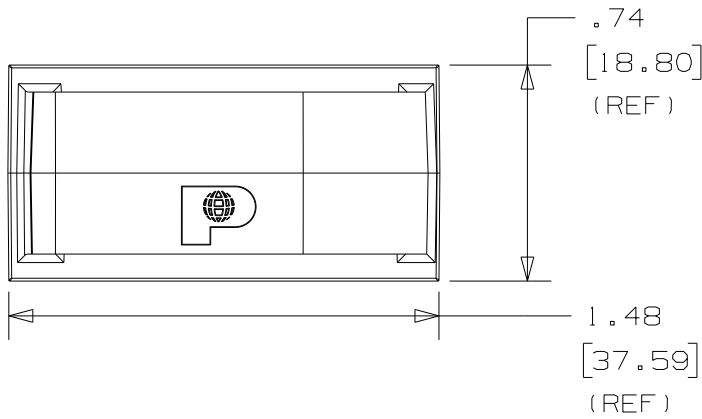


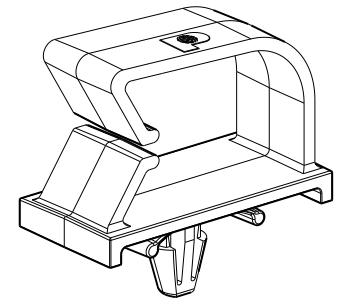
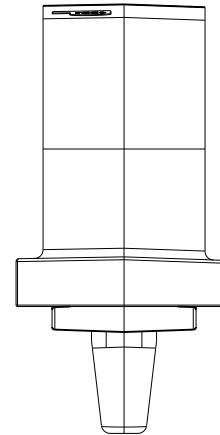
THIS COPY IS PROVIDED ON A RESTRICTED BASIS AND IS NOT TO BE USED IN ANY WAY DETRIMENTAL TO THE INTERESTS OF PANDUIT CORP.



PANDUIT PART NO.	PANEL DIMENSIONS		WEIGHT	
	THICKNESS	HOLE SIZE	lbs	100 pcs
BEC3P75H25-___	0.118 MAX (3.0)	0.25 (6.4)	1.05 (475)	

NOTES:

- SEE CURRENT PRICE SHEET FOR PART NUMBER SUFFIX DESIGNATION FOR PACKAGE SIZE AND PART COLOR.



DIMENSIONS IN BRACKETS ARE METRIC [ mm ]

CAD FILENAME/LAYERS G03415BA\_DC\_GB0239MG/01A

**PANDUIT** CORP. TINLEY PARK, ILLINOIS

BEVELED ENTRY CLIP WITH INTEGRAL PUSH BARB (BEC3P75H25)

UNLESS OTHERWISE SPECIFIED, DIMENSIONAL TOLERANCES ARE:  
(.X) ±0.05 (1.3) (.XXX) ±0.010 (0.25)  
(.XX) ±0.02 (0.5) ANGLES ±5°

UNLESS OTHERWISE SPECIFIED, ALL DIMENSIONS ARE GIVEN IN INCHES, THIRD ANGLE PROJECTION.

DRAWN BY JAD

MAT'L:

SCALE FULL

DATE 5/22/06

NYLON 6/6

DRAWING NO. GB0239MG

DWG A SIZE

REV	DATE	BY	CHK	DESCRIPTION	ECN	R	CUST	SUP
O1A	8-26-08	TMSA		REVISED GEOMETRY ADDED LOGO TO TOP	GB0239MG	O1A		
R	10-18-06	JAD		INITIAL RELEASE	GB0239MG	R		