

**Input**

Rated input voltage	100 V ~ 240 V ac
Input voltage range	90 V ~ 264 V ac
Rated frequency	50~60 Hz
Frequency range	47~63 Hz
Rated input current	300 mA RMS max.
Inrush current	15 A max. at 115 / 30 A max. at 230 V ac cool start

**Output**

Output voltage	6 V dc at 2 A
Output min. current	0 A
Line regulation	± 1%
Load regulation	± 5%
Over voltage protection	7.1 ~ 7.9 V dc max. (output shut down)
Short circuit protection	output shut down and auto restart
Ripple voltage	150 mV (p-p) (100~240 V ac at full load)
Efficiency	60% min.

**Safety and EMI**

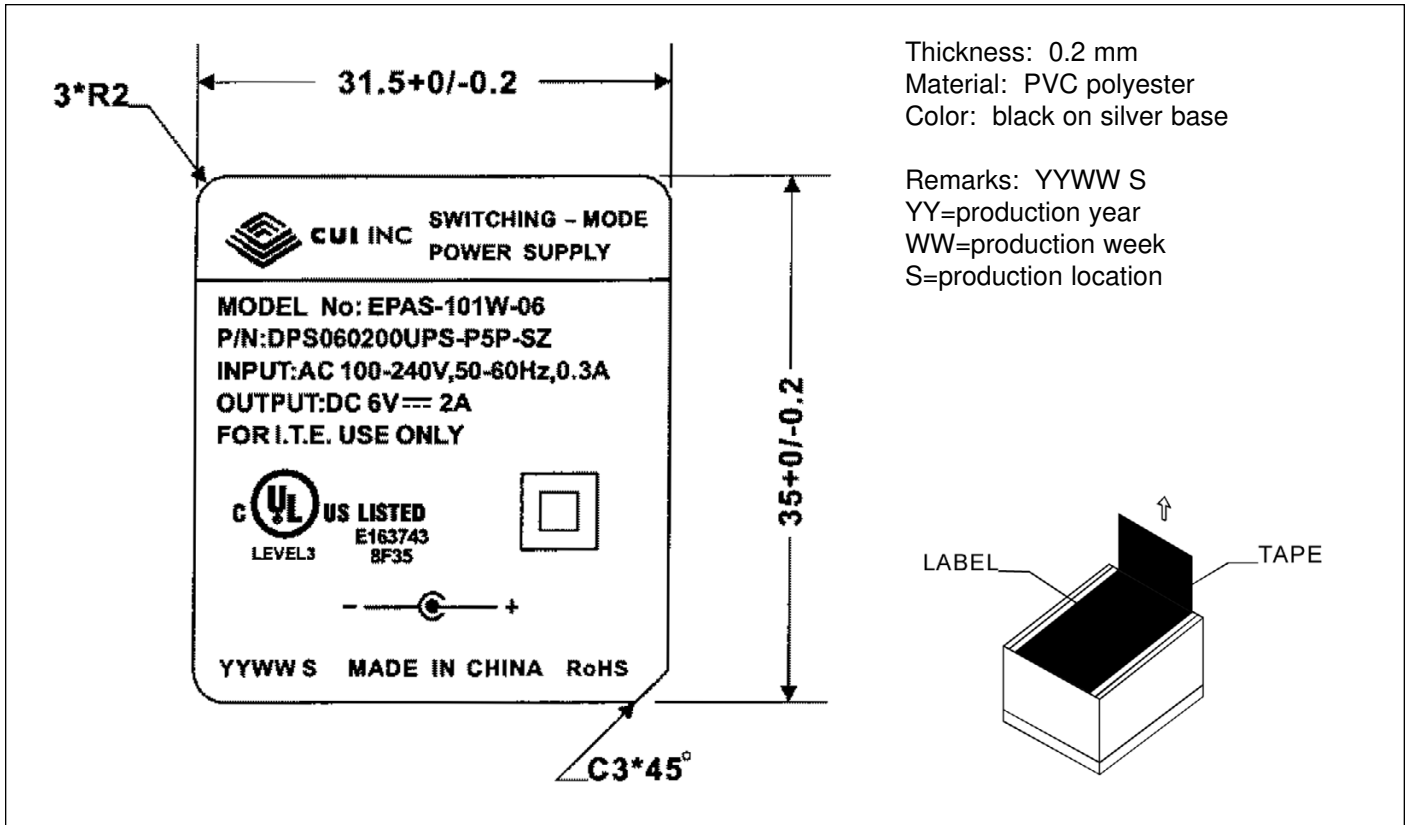
HI-POT	input to output	3000 V ac at 10 mA for 1 min.
Insulation resistance	input to output	> 100 M Ohm at 500 V dc
Safety approvals	UL/cUL	
EMI standard	meets EN55022 B	
RoHS compliant	yes	
Leakage current	0.25 mA	

**Environmental**

Storage temperature	-10°C ~ +70° C
Operating temperature	0°C ~ +40° C
Storage humidity	10~90%
Operating humidity	20~80%



Label

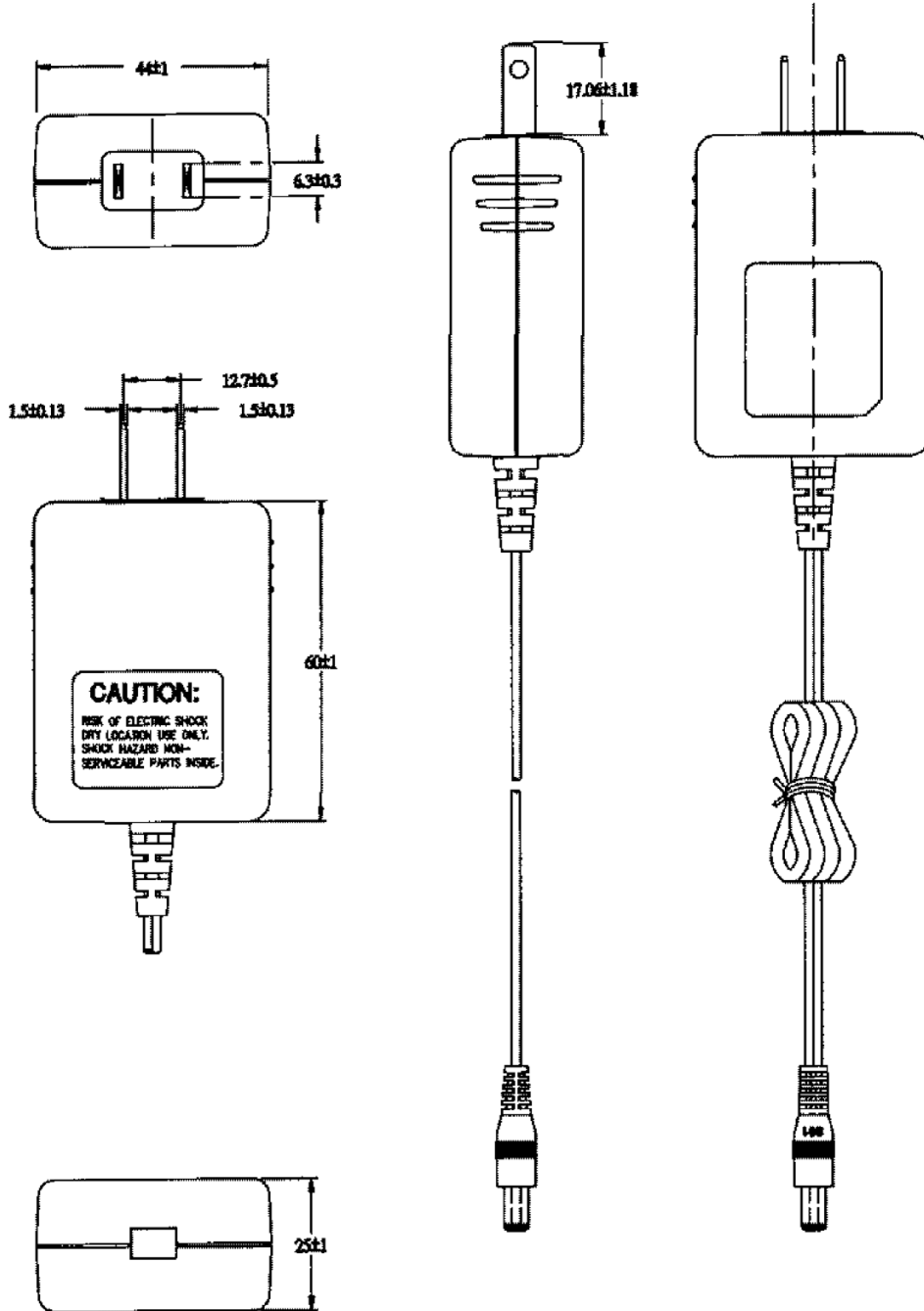




Mechanical Drawing

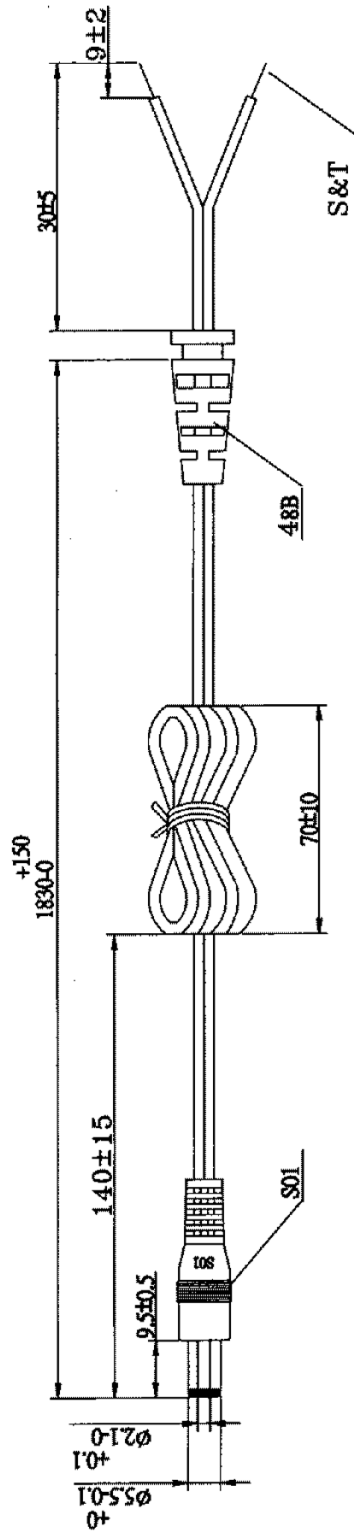
Tolerance:  $\pm 1$

Input plug	Direct plug-in UL type
Weight	114.5 g
Case size	60 L x 44 W x 25 H mm





DC Cord



HAVE ON WORD WIRE IN OUTER, NO WORD WIRE IN INNER

#20AWG X2C UL2468

OD: Ø1.9X3.8



VIBRATION TEST	a. 360°
	b. WEIGHT 200g
	c. 40 ROUND/MINUTE
	d. OVER 1000 COUNT MIN



**CUI INC**

Part No: DPS060200UPS-P5P-SZ

Date: 4/05/2006

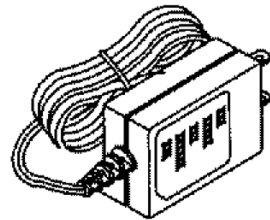
Unit: mm

Description: switching power supply

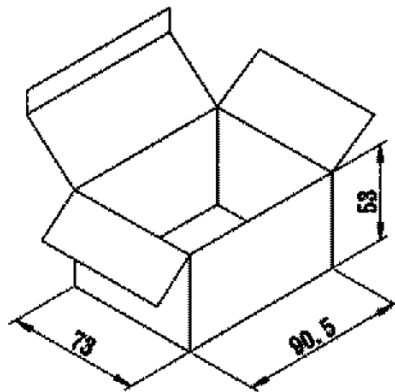
Page No: 5 of 6

### Individual Packaging

Tolerance:  $\pm 1$



product



"RoHS Compliant"



**CUI INC**

Part No: DPS060200UPS-P5P-SZ

Date: 4/05/2006

Unit: mm

Description: switching power supply

Page No: 6 of 6

**Packaging**

Tolerance: +7/-0

**CARTON SIZE: 375\*368\*225mm**

**Q'TY: 80PCS(20\*4)**

**"RoHS Compliant"**

