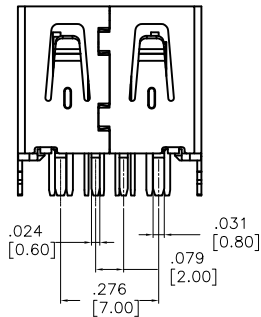
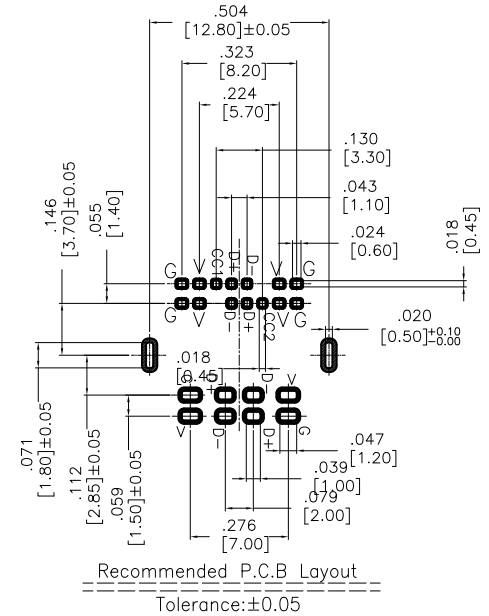
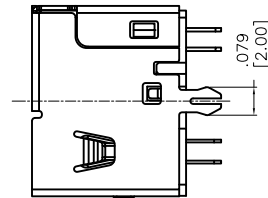
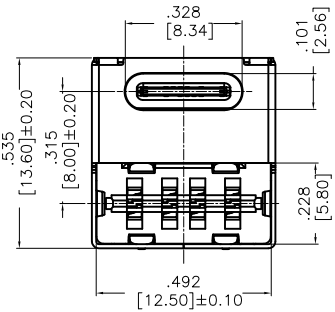
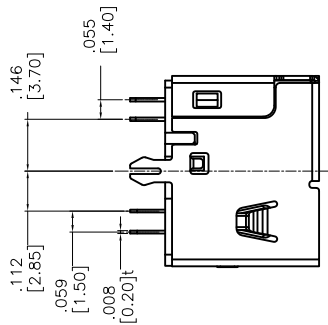
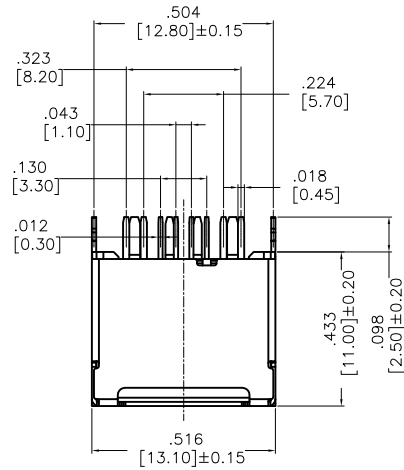
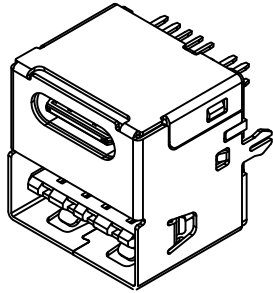


APPROVED: _____
 DATE: _____ TITLE: _____

Rev	AWO #	Description	Date	Appr
-		RELEASED	2/26/18	
A		UPDATE SPEC.	3/7/19	AY/RT



SPECIFICATIONS:

Material:
 Insulator: High Temp Thermoplastic, rated UL 94V-0
 Insulator color: Black
 Contacts: Copper Alloy
 Shell: Copper Alloy, Nickel plated
 Plating:
 Gold flash over Nickel underplate on contact area,
 Tin over Nickel underplate on solder tails

Electrical:
 Rated voltage: 30V AC/DC
 Rated current: 3 A max.
 Contact resistance: 30 mohms max.
 Insulation resistance: 500 Mohms min. @ 500 VDC
 Dielectric withstanding voltage: 500 VAC for 1 minute
 Environmental:
 Lead free, RoHS compliant.



UNLESS OTHERWISE SPECIFIED
 ALL DIMENSIONS ARE INCHES [MM]
 TOLERANCES: EXCEPT AS NOTED

INCHES		HOLES	
.X	± .10	∅.X	± .10
.XX	± .020	∅.XX	± .015
.XXX	± .015	∅.XXX	± .010

APPROVALS		DATE
DRAWN	AY	2/26/18
CHECKED	MY	2/26/18
APPROVED		

ADAM TECH INTERCONNECTS
 909 Rahway Avenue,
 Union, NJ 07083
 Phone: 908-687-5000
 Fax: 908-687-5710

TITLE			
UNIVERSAL SERIAL BUS, DUAL PORT, VERTICAL, TYPE A OVER C3.1, PCB, TERMINALS			
SIZE	PART NO.	REV.	
X	USB-A-C31-D-VT	A	
REF:	S00126T	SCALE:	NTS
		SHEET 1 OF 1	