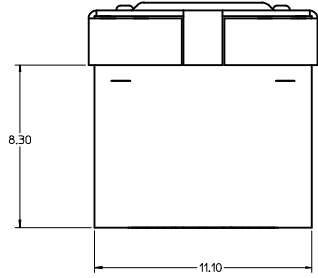
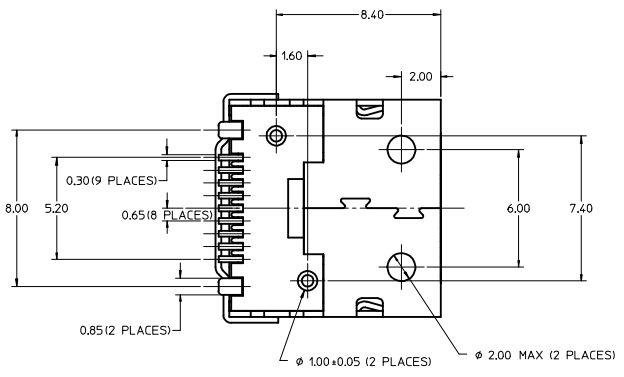
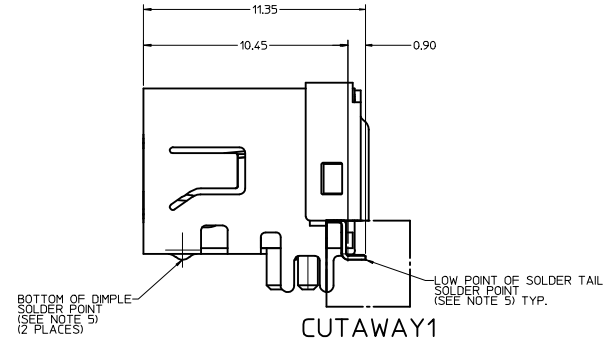
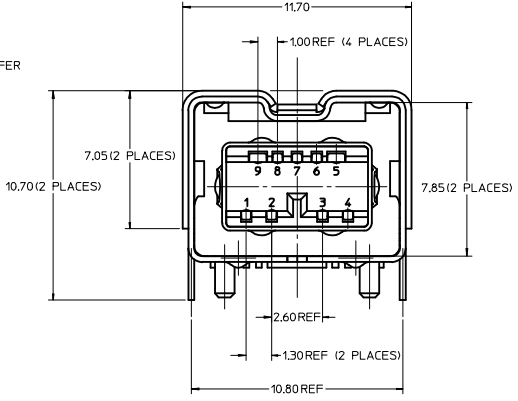
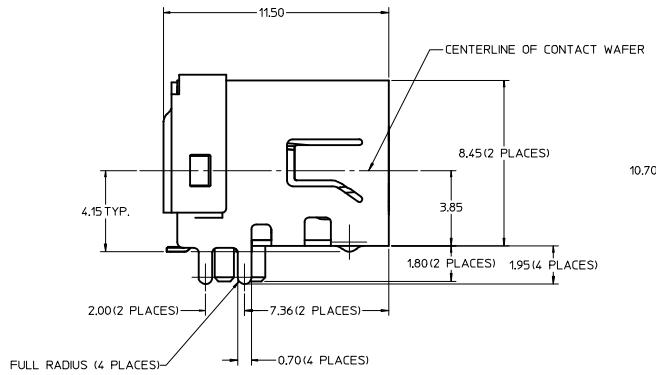


NOTES:

1. MATERIAL:
 - OUTER SHELL: COPPER ALLOY
 - BACK SHELL: STEEL
 - INNER SHELL: COPPER ALLOY
 - CONTACTS: COPPER ALLOY
 - PLASTIC MOLDINGS: THERMOPLASTIC; COLOR: BLACK
2. FINISH:
 - PLATED DEPOSITS TO CONFORM TO THE REQUIREMENTS OF IEEE1394B:
 - *OUTER SHELL: EXCEPTION: 0.00076 MIN. PLATABLE NICKEL (NICKEL SULFATE) OVER 0.00305 MIN. COPPER
 - *BACK SHELL: EXCEPTION: 0.00076 MIN. PLATABLE NICKEL (NICKEL SULFATE) OVER 0.00305 MIN. COPPER
 - *INNER SHELL: EXCEPTION: 0.00076 MIN. PLATABLE NICKEL (NICKEL SULFATE) OVER 0.00305 MIN. COPPER
 - *CONTACTS: 0.00076 MIN. SELECT GOLD AND 0.00305 MIN. SELECT TIN OVER 0.00127 MIN. NICKEL OVERALL
3. PRODUCT SPECIFICATION: PS-45240-001
4. PACKAGING: SEE CHART
5. COPLANARITY OF SOLDER POINTS = 0.10mm TOTAL.
6. THE KEYING PEGS ONLY DISTINGUISH THIS BILINGUAL SOCKET FROM A BETA SOCKET. THE KEYING PEGS AND THE FOUR THRU-HOLE SOLDER TAILS DO NOT ALIGN THE SOCKET TO THE PCB FOOTPRINT WITH SUFFICIENT PRECISION TO ASSURE CORRECT SOLDERING.



PART NUMBER	PACKAGING
46270-0001	TRAY PACKED PER PK-46270-001
46270-0002	TAPE & REEL PER PK-46270-003



BILINGUAL

ADD TAPE & REEL IEC NO: UCP2009-2451 DRAWN BY: CHYKSSOUSEK CHECKED BY: APPR:FSM TH DATE: 2009/06/05 DATE: 2009/06/15	QUALITY SYMBOLS ▽=0 ▽=0	GENERAL TOLERANCES (UNLESS SPECIFIED) <table border="1"> <thead> <tr> <th></th> <th>mm</th> <th>INCH</th> </tr> </thead> <tbody> <tr> <td>4 PLACES</td> <td>±0.15</td> <td>±0.005</td> </tr> <tr> <td>3 PLACES</td> <td>±0.25</td> <td>±0.010</td> </tr> <tr> <td>2 PLACES</td> <td>±0.50</td> <td>±0.020</td> </tr> <tr> <td>1 PLACE</td> <td>±1.00</td> <td>±0.040</td> </tr> </tbody> </table> ANGULAR ±1/2°		mm	INCH	4 PLACES	±0.15	±0.005	3 PLACES	±0.25	±0.010	2 PLACES	±0.50	±0.020	1 PLACE	±1.00	±0.040	DIMENSION STYLE MM ONLY	SCALE 8:1	DESIGN UNITS METRIC	THIRD ANGLE PROJECTION
		mm	INCH																		
	4 PLACES	±0.15	±0.005																		
	3 PLACES	±0.25	±0.010																		
2 PLACES	±0.50	±0.020																			
1 PLACE	±1.00	±0.040																			
DRAWN BY: PELOZA CHECKED BY: PELOZA APPROVED BY: COMERCI	DATE: 2006/08/02 DATE: 2006/08/02 DATE: 2006/08/02	TITLE BILINGUAL SOCKET ASS'Y RIGHT ANGLE THRU HOLE	MATERIAL NO. SEE CHART	DOCUMENT NO. SD-46270-001	MOLEX INCORPORATED	SHEET NO. 1 OF 1															
DRAFT WHERE APPLICABLE MUST REMAIN WITHIN DIMENSIONS																					
THIS DRAWING CONTAINS INFORMATION THAT IS PROPRIETARY TO MOLEX INCORPORATED AND SHOULD NOT BE USED WITHOUT WRITTEN PERMISSION																					