

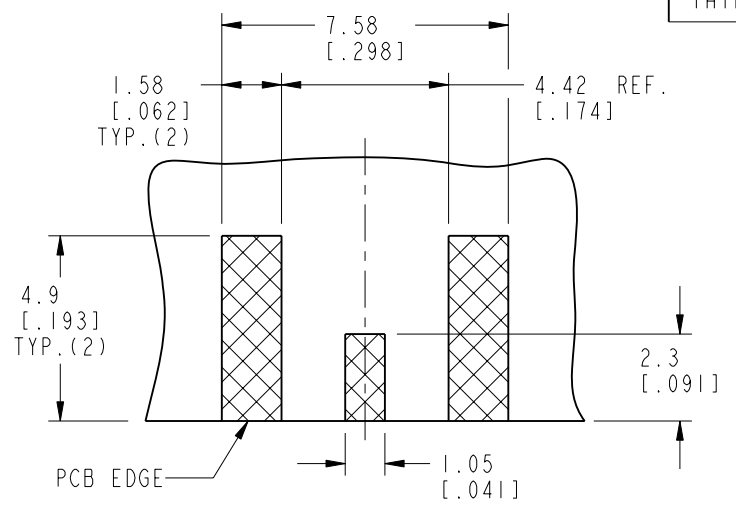
NOTES:

1. MATERIALS AND FINISHES:
 BODY - BRASS, GOLD PLATING
 CONTACT - BeCu, GOLD PLATING
 SPANNER NUT & LOCK WASHER - BRASS, NICKEL PLATING
 INSULATOR - PTFE
2. ELECTRICAL:
 A. IMPEDANCE: 50 OHMS
 B. FREQUENCY RANGE: DC - 6 GHz
 C. RETURN LOSS: 30 dB MIN @ 6 GHz
3. MECHANICAL:
 A. DURABILITY: 500 CYCLES MIN.
 B. TEMPERATURE RANGE: -65°C TO +165°C
4. ENVIRONMENTAL:
 A. THERMAL SHOCK PER MIL-STD-202 METHOD 107
 TEST CONDITION B (EXCEPT HIGH TEMP @200 C)
 B. VIBRATION: MIL-STD-202 METHOD 204 TEST CONDITION B
 C. SHOCK: MIL-STD-202 METHOD 213 TEST CONDITION B
 D. CORROSION: MIL-STD-202 METHOD 101
 TEST CONDITION B 5% SALT SOLUTION
5. AMPHENOL SPANNER WRENCH 227-1490 REQUIRED TO MOUNT CONNECTOR TO PANEL.
6. PACKAGING:
 A. QUANTITY: SINGLE PACK
 B. MARKING: BAG TO BE MARKED
 "AMPHENOL RF, 34-5037 AND DATE CODE"

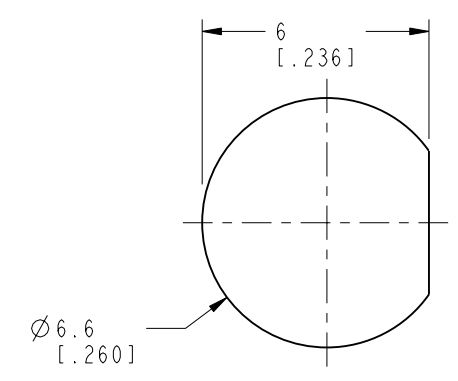
THIRD ANGLE PROJ.

REVISIONS

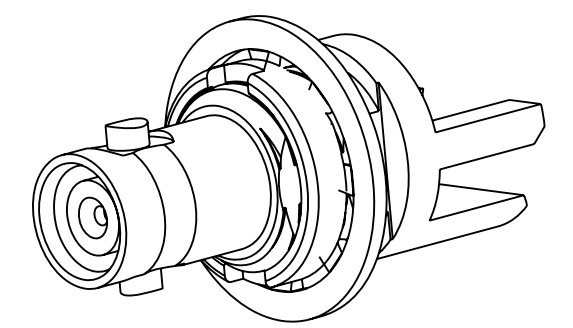
| REV | DESCRIPTION | DATE | ECO | APPR |
|-----|-----------------|-----------|-------|------|
| A | RELEASE TO MFG. | 05-Aug-13 | 49645 | TD |



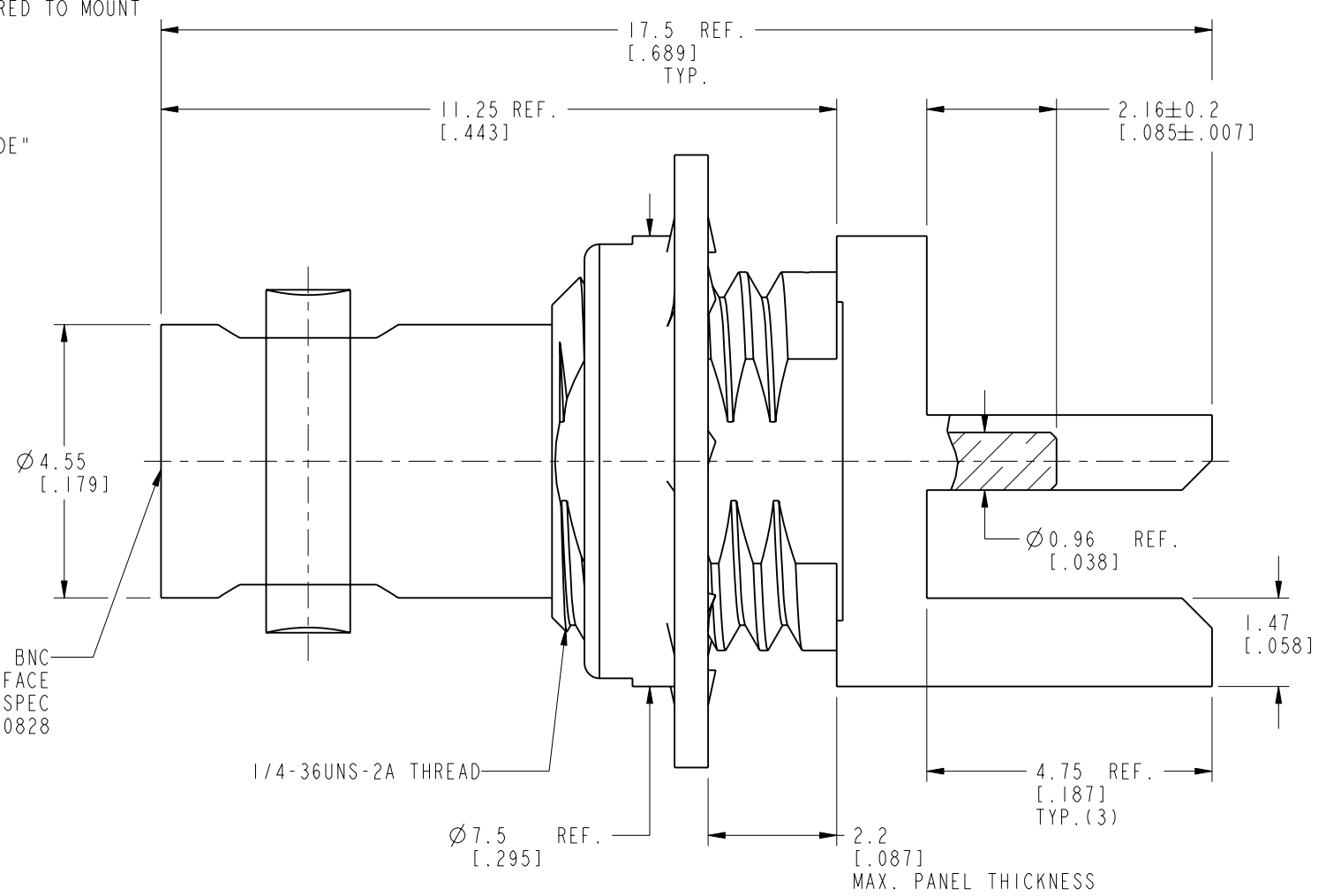
**SCALE 6.000
RECOMMENDED PCB
DIMENSIONS**



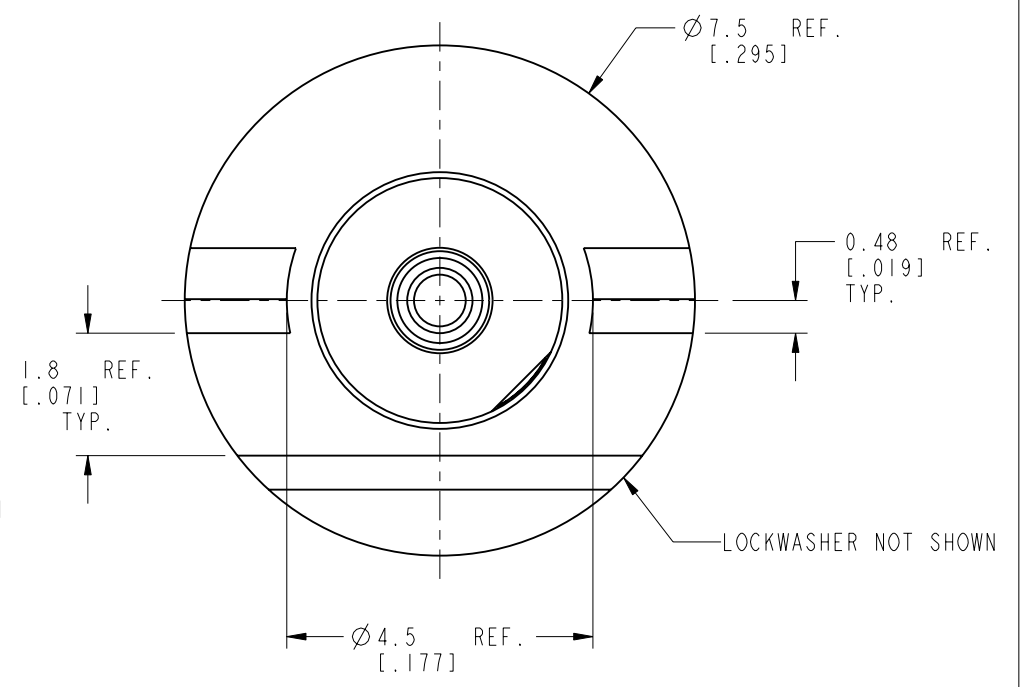
**SCALE 5.000
RECOMMENDED MOUNTING
HOLE DIMENSIONS**



SCALE 4.000



50Ω HD BNC INTERFACE
PER AMPHENOL SPEC
349-50828



CUSTOMER OUTLINE DRAWING
ALL OTHER SHEETS ARE FOR INTERNAL USE ONLY

UNLESS OTHERWISE SPECIFIED, DIMENSIONS ARE IN METRIC AND TOLERANCES ARE:
 <0.5mm ±0.05mm 0.5 - 6mm ±0.1mm 6 - 30mm ±0.2mm 30 - 120mm ±0.3mm ANGLES ±1°

NOTICE - These drawings, specifications, or other data (1) are, and remain the property of Amphenol corp. (2) must be returned upon request; and (3) are confidential and not to be disclosed to any person other than those to whom they are given by Amphenol Corp. the furnishing of these drawings, specifications, or other data by Amphenol Corp., or to any other person for any purpose is not to be regarded by implication or otherwise in any manner licensing, granting rights to permitting such holder or any other person to manufacture, use or sell any product, process or design, patented or otherwise, that may in any way be related to or disclosed by said drawings, specifications, or other data.

| | |
|----------------------|------------|
| MATERIAL | SEE NOTES |
| REFERENCE | EAR # 5400 |
| CONFIGURATION LEVEL: | |
| FINISH | |

| | | | |
|----------|----------|------|-----------|
| DRAWN | T. DENG | DATE | 05-Aug-13 |
| ENGINEER | CLEMENT | DATE | 17-Apr-13 |
| APPROVED | S. HSIEH | DATE | 05-Aug-13 |
| CAD FILE | | | |

| | |
|--|--------------|
| TITLE | |
| 50 OHM HD BNC BHD JACK EDGE MOUNT FOR 0.062" THICK BOARD | |
| SCALE: 9.0:1.0 | SHEET 2 OF 2 |
| DWG SIZE | REV |
| B | A |

| | |
|--------------------|---------|
| Amphenol RF | |
| www.amphenolrf.com | |
| DRAWING NO. | 34-5037 |
| ITEM NO. | 34-5037 |
| PART NO. | 34-5037 |