



This piezo buzzer is designed to operate over a specified voltage range. Simple integration with a built in driver.



Contact Us for alternative solutions!

**Electrical Specifications**

Type:	Buzzer (Internal Driver)	Sound Output (SPL):	82dB (@10cm)
Operating Voltage:	4 ~ 18VDC	Rated Current:	15 mA (max.)
Rated Voltage:	12VDC	Resonant Frequency:	3,300 Hz (+/-500)

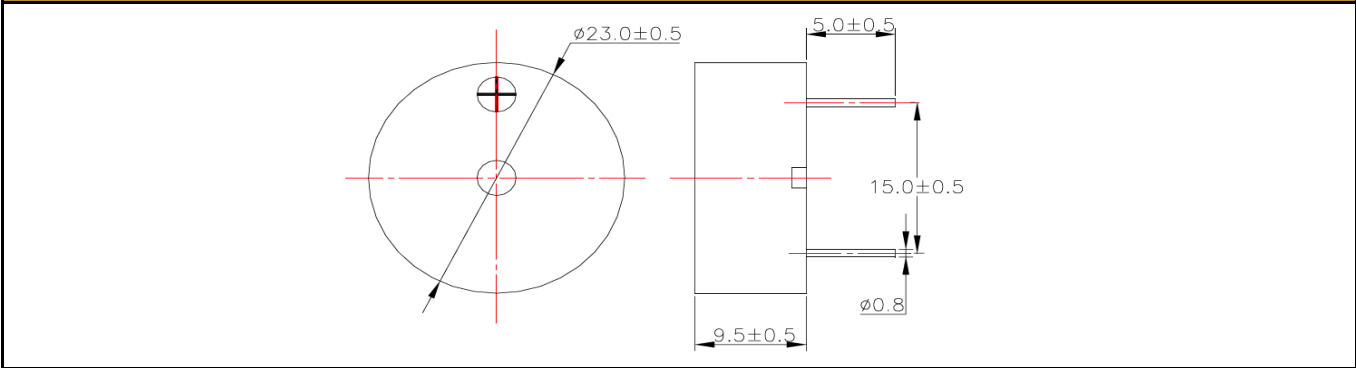
**Environmental Specifications**

Min. Operating Temp:	-20°C / -4°F	Storage Temp:	-30°C - +70°C
Max. Operating Temp:	60°C / 140°F		

**Material Specifications**

Housing Material:	MPPO	Magnet Material:	Piezo
-------------------	------	------------------	-------

**Dimensions**



**Frequency Response Curve**

