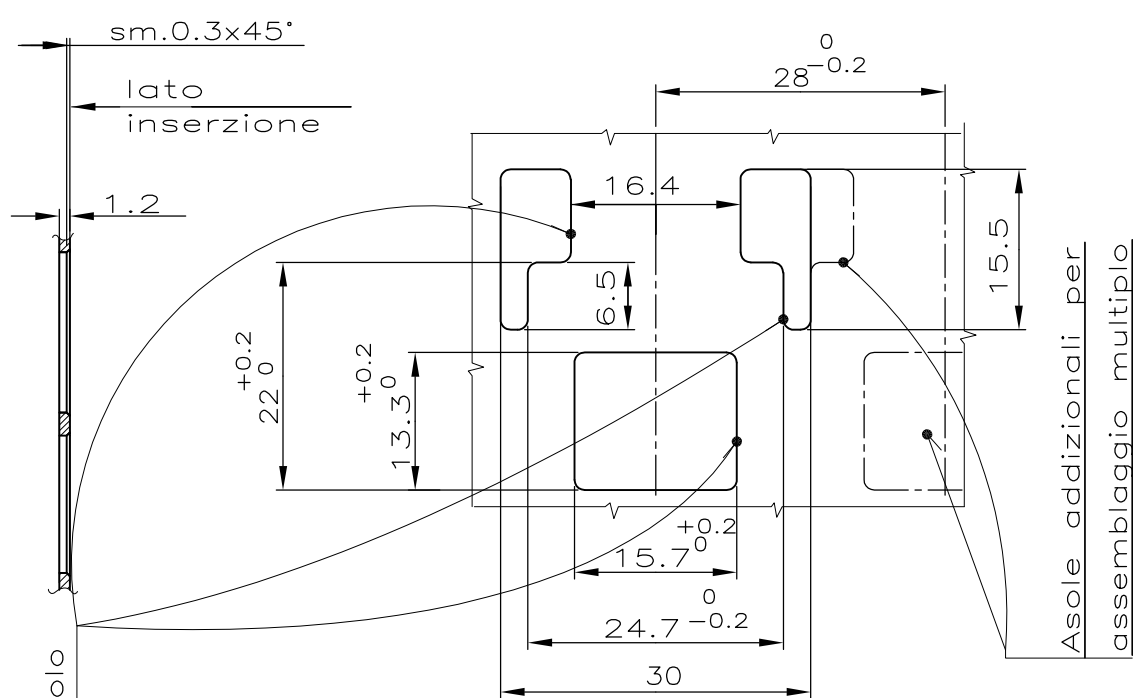


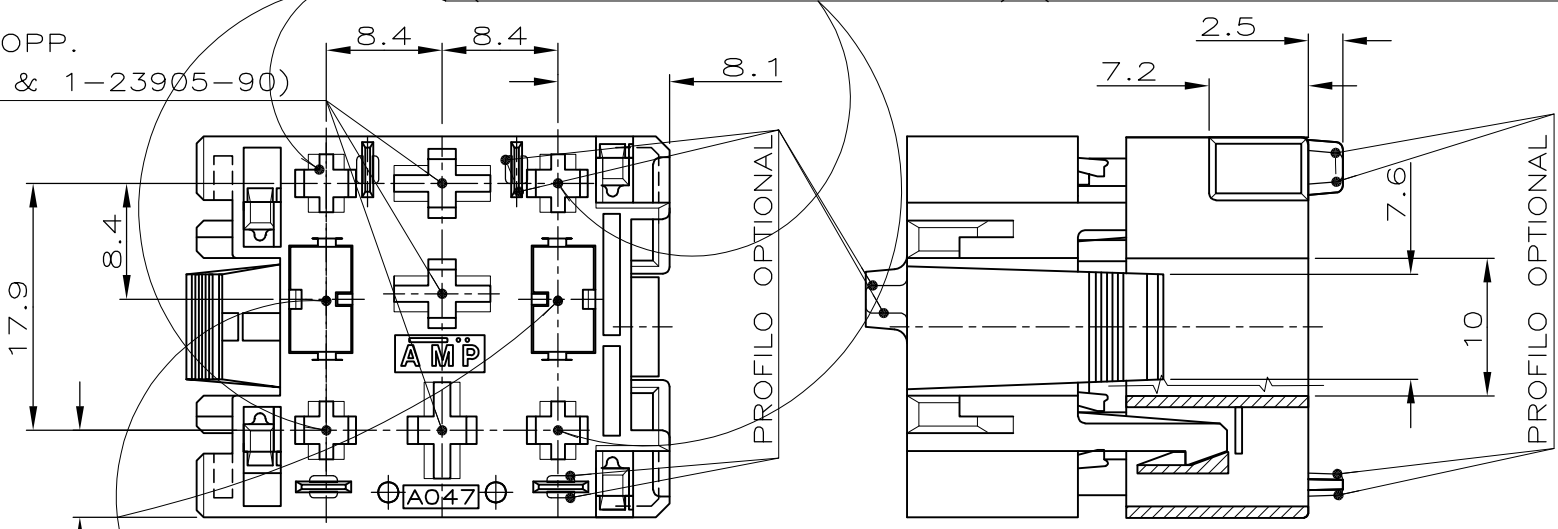
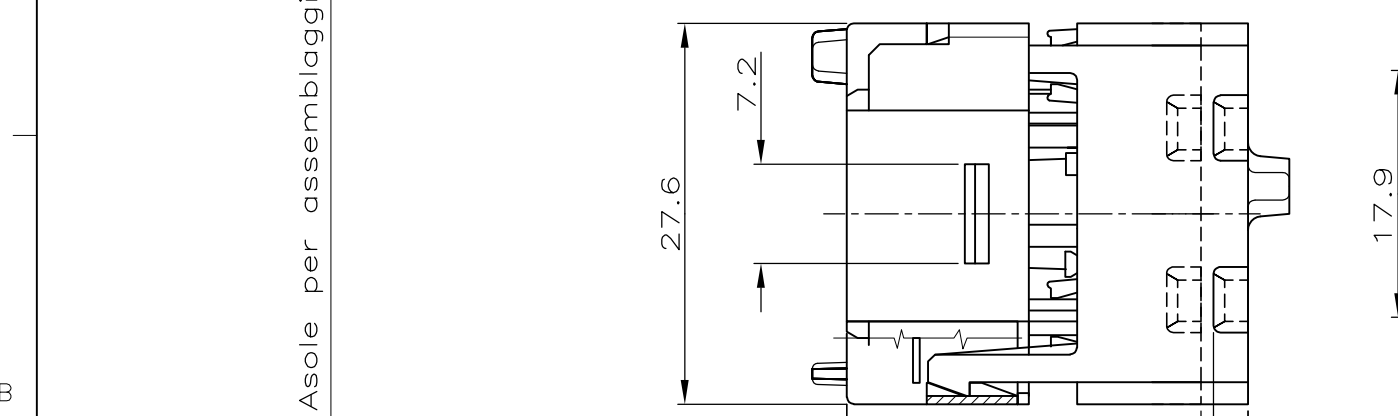
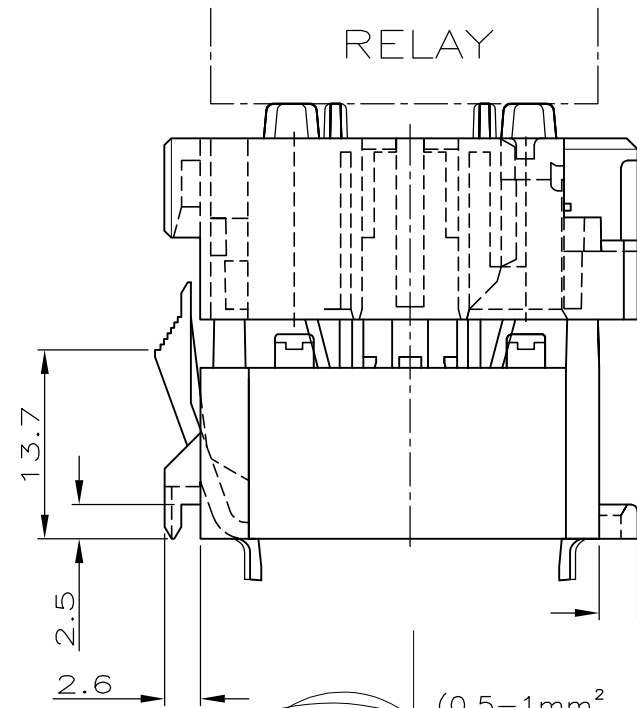
THIS DRAWING IS UNPUBLISHED. RELEASED FOR PUBLICATION
 © COPYRIGHT - By - ALL RIGHTS RESERVED.

METRIC

REVISONS		DATE	DWN	APVD
P	LTR			
C2		30MAR11	RK	HMR
REVISIO		DESCRIPTION		
REVISED PER ECO-11-005033				
ROSA (PINK)				1-282435-1
ARANCIO (ORANGE)				1-282435-0
VIOLA (VIOLET)				282435-9
GRIGIO (GREY)				282435-8
MARRONE (BROWN)				282435-7
GIALLO (YELLOW)				282435-6
BLU (BLUE)				282435-5
VERDE (GREEN)				282435-4
ROSSO (RED)				282435-3
NERO (BLACK)				282435-2
NATURALE (CLEAR)				282435-1
FINITURA / COLORE (FINISH / COLOUR)		MATERIALE (MATERIAL)	NUMERO (PART NUMBER)	
		POLYAMIDE 6.6		

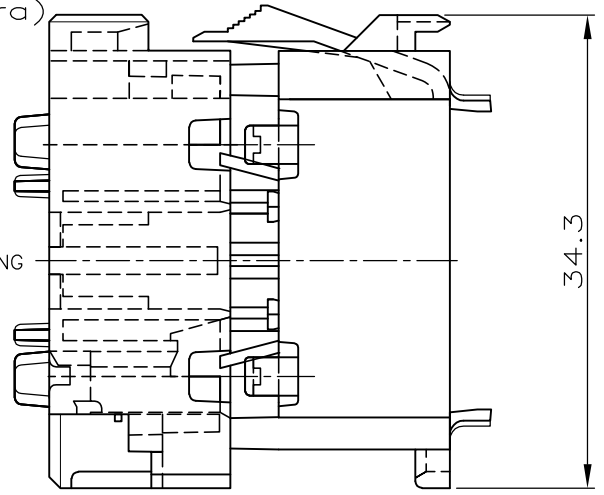


N.3 CAVITA' ADATTE PER TERMINALI
 "AMP STANDARD POWER TIMER" P/N 927831-2 (0.5-1mm²) OPP.
 P/N 927837-2 (1-2.5mm²) (EQUIVAL. N.FIAT 1-23903-90 & 1-23905-90)



N.2 CAVITA' ADATTE PER TERMINALI
 "AMP POSITIVE LOCK MKI" P/N 160759-3(0.5-1.5 mm²)
 OPP. P/N 154717-3 (2.5-4.0mm²) EQUIVALENTE N.FIAT
 1-23364-44 & 1-23363-44; E TERMINALI AMP P/N 282167
 PER ISOL. RIDOTTO (0.5-1.5mm²)

1 OBSOLETE PARTS: OBSOLETE CIS STREAMLINING
 PER D.RENAUD/D.SINISI



CUSTOMER DWG. FOR REFERENCE ONLY		DISEGNO PER CLIENTE SOLO PER RIFERIMENTO		FINITURA / COLORE (FINISH / COLOUR)	MATERIALE (MATERIAL)	NUMERO (PART NUMBER)
THIS DRAWING IS A CONTROLLED DOCUMENT.		DWN	10 JULY 1992	TE Connectivity		
		CHK	16 OCT.1992			
		APVD	-	9 POSITION RELAY HSG.WITH SEC.LOCK		
DIMENSIONS: mm		TOLERANCES UNLESS OTHERWISE SPECIFIED:		SIZE CAGE CODE DRAWING NO RESTRICTED TO		
0 PLC ± -		1 PLC ± 0.3		A3 00779 C=282435		
2 PLC ± -		3 PLC ± -		SCALE 2:1 SHEET 1 OF 1 REV C2		
4 PLC ± -		ANGLES ± 2°				
DIAM. ISOLANTE (INS. DIA. RANGE)	RANGO FILO (WIRE RANGE)	MATERIAL	FINISH	CUSTOMER DRAWING		