



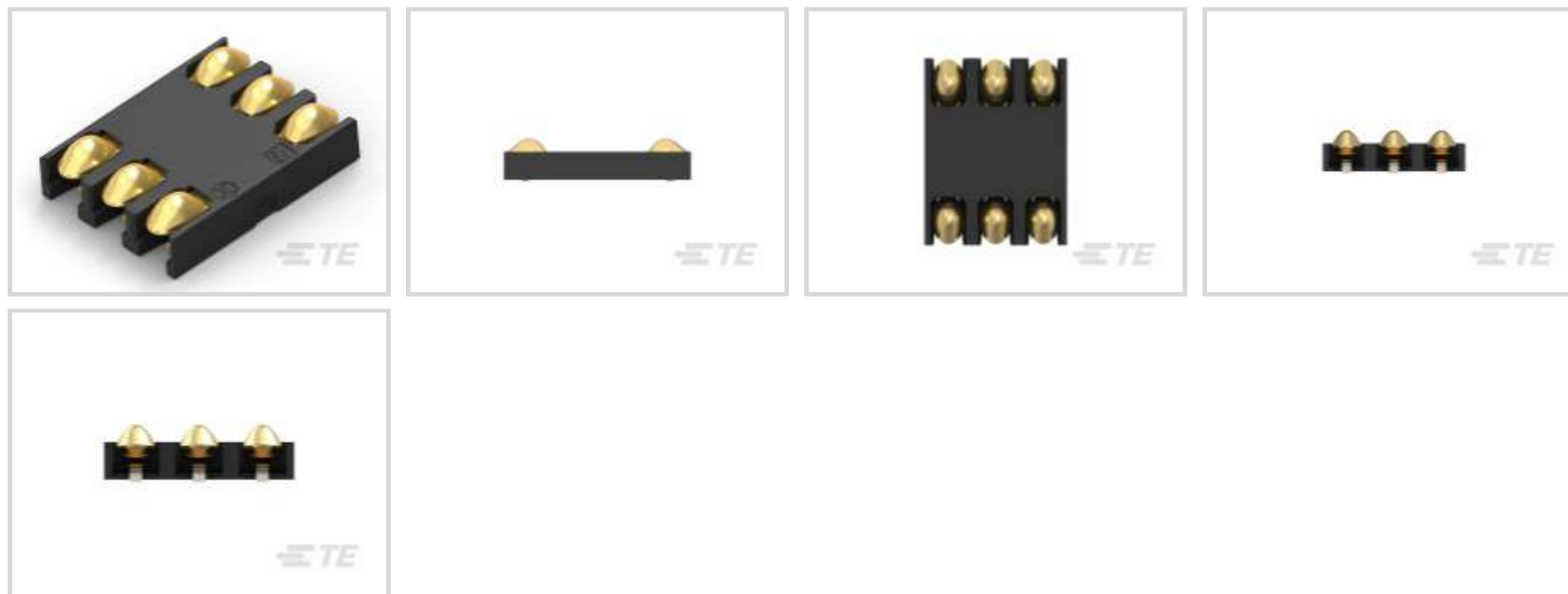
SIM Connectors

TE Internal #: 1-1705300-5

SIM Card Connectors, 2FF mini SIM Compatible Card, 6 Position, 6 Loaded Positions, Signal, -40 – 185 °F [-40 – 85 °C], SIM Connectors

[View on TE.com >](#)

Connectors > PCB Connectors > Memory Card Connectors > SIM Card Connectors



Compatible Card: **2FF mini SIM**

Number of Positions: **6**

Centerline (Pitch): **2.54 mm [.1 in]**

Number of Loaded Positions: **6**

Connector & Contact Terminates To: **Printed Circuit Board**

Features

Product Type Features

Card Stop	Without
Compatible Card	2FF mini SIM
Connector & Contact Terminates To	Printed Circuit Board

Configuration Features

Card Insertion Style	Normal Insertion
Card Detection Switch	Without
Number of Positions	6
Number of Loaded Positions	6

Electrical Characteristics

Current Rating (Max)	.5 A
Voltage Rating	30 VAC

Body Features

Ejector Type	Push-Pull
Primary Product Color	Black



Contact Features

Contact Mating Retention	Without
Contact Base Material	Copper Alloy
Contact Current Rating (Max)	.5 A

Termination Features

Termination Method to Printed Circuit Board	Surface Mount
---	---------------

Mechanical Attachment

Mating Alignment	Without
Connector Mounting Type	Board Mount

Housing Features

Housing Material	LCP (Liquid Crystal Polymer)
Centerline (Pitch)	2.54 mm[.1 in]

Dimensions

Profile Height from PCB	1.5 mm[.059 in]
-------------------------	-----------------

Usage Conditions

Operating Temperature Range	-40 – 85 °C[-40 – 185 °F]
-----------------------------	---------------------------

Operation/Application

Durability Rating	5000 Cycles
Circuit Application	Signal

Industry Standards

UL Flammability Rating	UL 94V-0
------------------------	----------

Packaging Features

Packaging Quantity	1450
Packaging Method	Tape & Reel

Product Compliance

[For compliance documentation, visit the product page on TE.com>](#)

EU RoHS Directive 2011/65/EU	Compliant
EU ELV Directive 2000/53/EC	Compliant
China RoHS 2 Directive MIIT Order No 32, 2016	No Restricted Materials Above Threshold
EU REACH Regulation (EC) No. 1907/2006	Current ECHA Candidate List: JUNE 2023 (235)



Candidate List Declared Against: JAN 2023 (233)

Does not contain REACH SVHC

Halogen Content

Low Halogen - Br, Cl, F, I < 900 ppm per homogenous material. Also BFR/CFR/PVC Free

Solder Process Capability

Reflow solder capable to 260°C

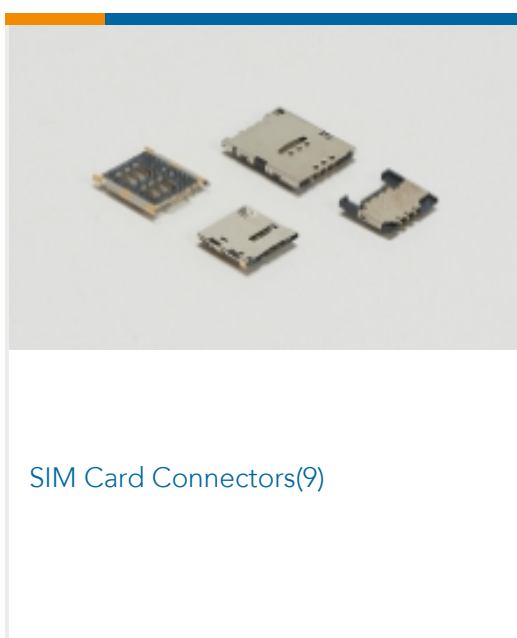
Product Compliance Disclaimer

This information is provided based on reasonable inquiry of our suppliers and represents our current actual knowledge based on the information they provided. This information is subject to change. The part numbers that TE has identified as EU RoHS compliant have a maximum concentration of 0.1% by weight in homogenous materials for lead, hexavalent chromium, mercury, PBB, PBDE, DBP, BBP, DEHP, DIBP, and 0.01% for cadmium, or qualify for an exemption to these limits as defined in the Annexes of Directive 2011/65/EU (RoHS2). Finished electrical and electronic equipment products will be CE marked as required by Directive 2011/65/EU. Components may not be CE marked. Additionally, the part numbers that TE has identified as EU ELV compliant have a maximum concentration of 0.1% by weight in homogenous materials for lead, hexavalent chromium, and mercury, and 0.01% for cadmium, or qualify for an exemption to these limits as defined in the Annexes of Directive 2000/53/EC (ELV). Regarding the REACH Regulation, the information TE provides on SVHC in articles for this part number is based on the latest European Chemicals Agency (ECHA) 'Guidance on requirements for substances in articles' posted at this URL: <https://echa.europa.eu/guidance-documents/guidance-on-reach>

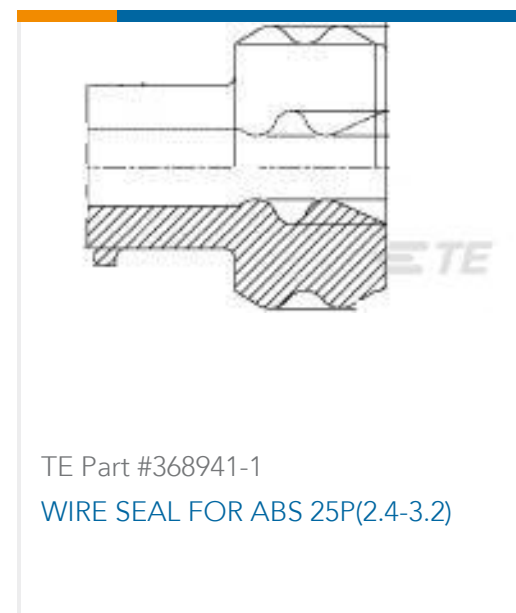
Compatible Parts



Also in the Series | SIM Connectors



Customers Also Bought



Documents

Product Drawings

SIM CONNECTOR 5 DIRECTIONAL

English

CAD Files

3D PDF

3D

Customer View Model

[ENG_CVM_CVM_1-1705300-5_J_c-1-1705300-5-j.2d_dxf.zip](#)

English

Customer View Model

[ENG_CVM_CVM_1-1705300-5_J_c-1-1705300-5-j.3d_igs.zip](#)

English

Customer View Model

[ENG_CVM_CVM_1-1705300-5_J_c-1-1705300-5-j.3d_stp.zip](#)

English

By downloading the CAD file I accept and agree to the [Terms and Conditions](#) of use.

Datasheets & Catalog Pages

Products for Mobile Equipment

English

[2-1773464-0_SIM_Card_Connectors_Quick_Reference_Guide](#)

English

Product Specifications

Application Specification

English

1-1705300-5

SIM Card Connectors, 2FF mini SIM Compatible Card, 6 Position, 6 Loaded Positions,
Signal, -40 – 185 °F [-40 – 85 °C], SIM Connectors

