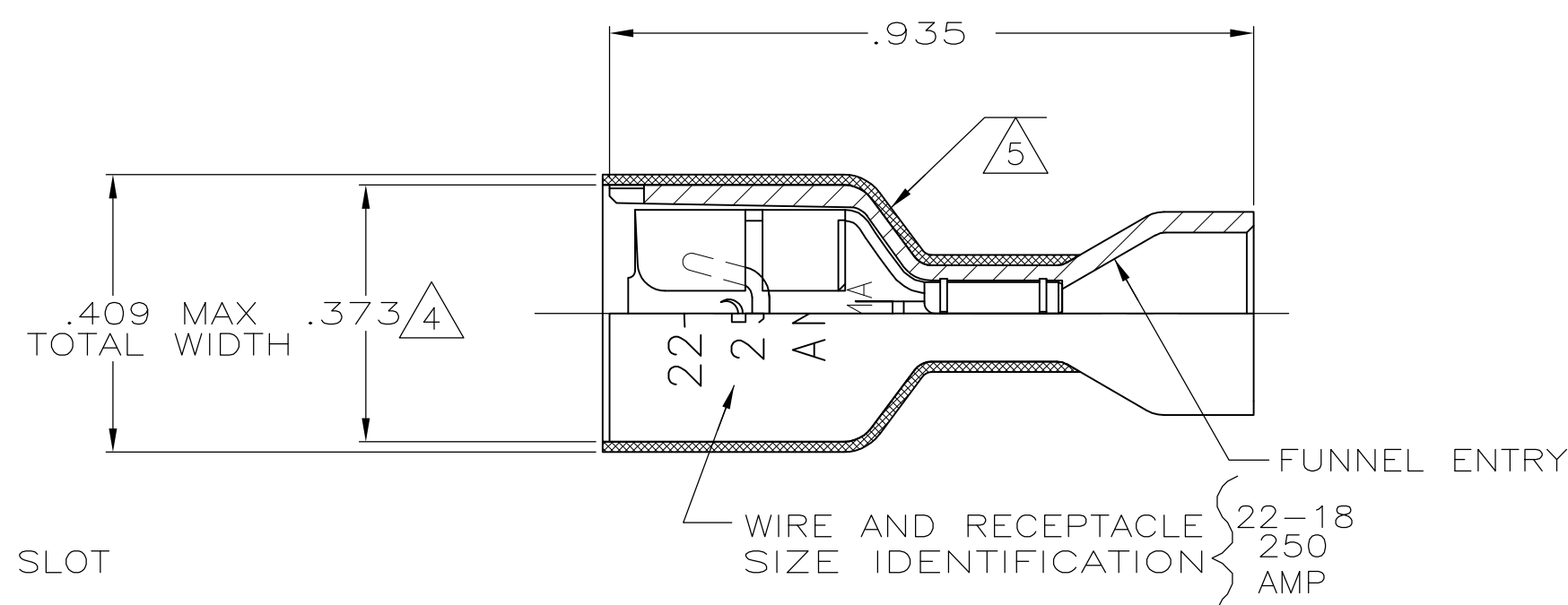
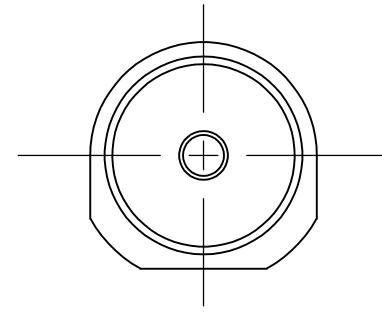
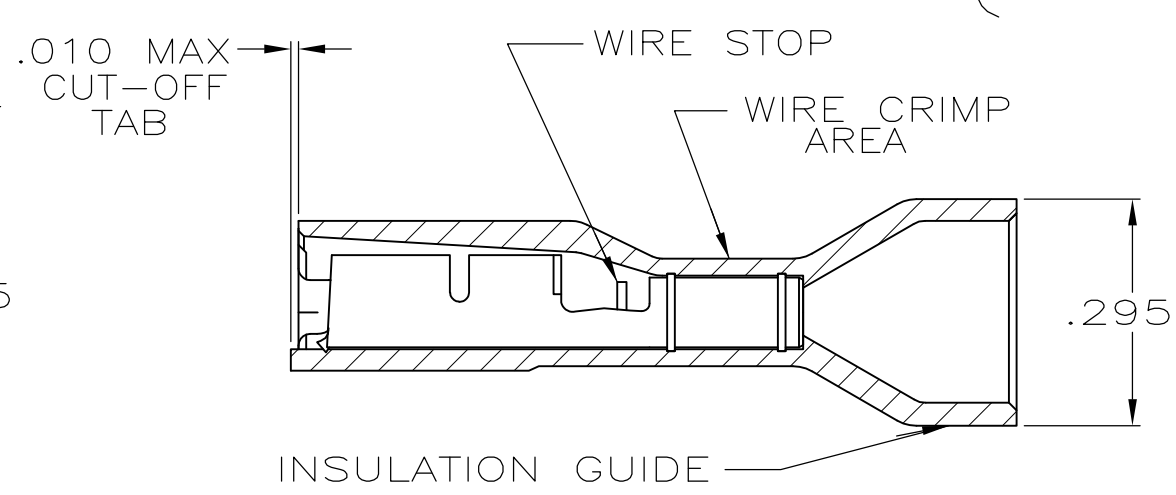
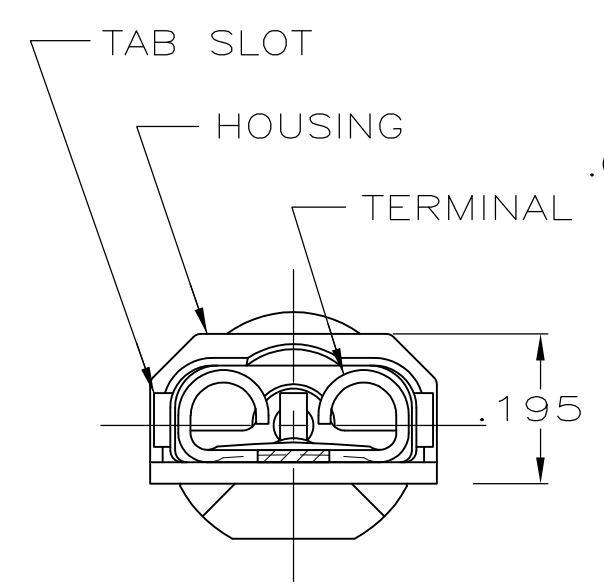


THIS DRAWING IS UNPUBLISHED. RELEASED FOR PUBLICATION
 © COPYRIGHT - By - ALL RIGHTS RESERVED.

LOC	DIST	REVISIONS			
P	LTR	DESCRIPTION	DATE	DWN	APVD
AF	50	N	REVISED PER ECR-13-004343	30JUL13	KH KR



- 1 MATES WITH .032±.001x.250 TAB
- 2 WIRE STRIP LENGTH .281
- 3 INSULATION SIZE .230 MAX DIA
- 4 DIMENSION DOES NOT INCLUDE TRIM BURR
- 5 .015 MAX CARRIER TRIM BURR PER SIDE IS ALLOWABLE IN THE SHADED AREA



OBSOLETE	HOUSING: NYLON, COLOR-RED TRANSLUCENT RECEPTACLE: #3 HARD PH BRONZE, TIN	2-520264-4
	HOUSING: NYLON, COLOR-RED TRANSLUCENT RECEPTACLE: BRASS, TIN	2-520264-2
MATERIAL & FINISH		PART NO

THIS DRAWING IS A CONTROLLED DOCUMENT.		DWN P FORTNEY 9/30/88	STE TE Connectivity			
DIMENSIONS: INCHES		CHK MS FEHER 9/30/88				
TOLERANCES UNLESS OTHERWISE SPECIFIED:		APVD K RANDOLPH 9/30/88	NAME			
0 PLC ± -		PRODUCT SPEC	RECEPTACLE ASSY, ULTRA-FAST, LOOSE PIECE, .250 SERIES, 22-18 AWG			
1 PLC ± -		108-2043				
2 PLC ± -		APPLICATION SPEC	SIZE	CAGE CODE	DRAWING NO	RESTRICTED TO
3 PLC ± .015		114-2123	A3	00779	C-520264	-
4 PLC ± -		WEIGHT	CUSTOMER DRAWING			
ANGLES ± -		FINISH	SCALE	SHEET	REV	
SEE TABLE		SEE TABLE	4:1	1 OF 1	N	