

# 11938SB (旧 4715HS)

# 119<sup>□</sup>X38<sup>L</sup>

## AC Axial Fan



### General Specifications

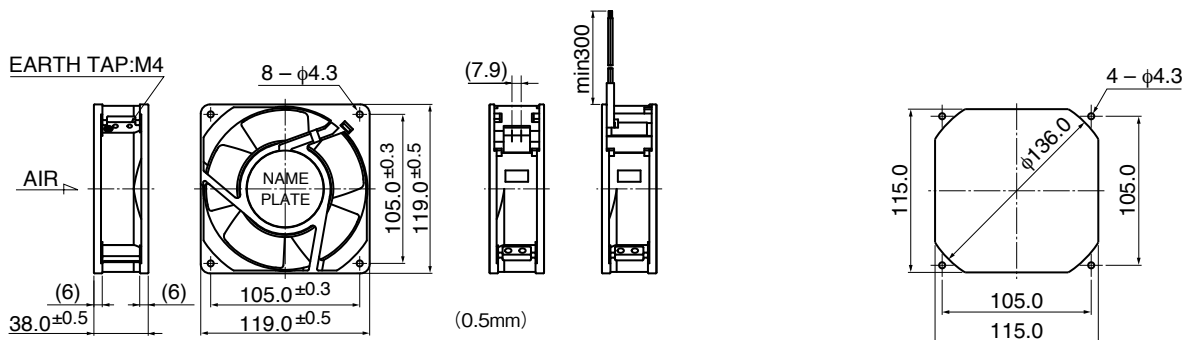
Motor Structure	Shaded Pole Induction Motor
Motor Protection	Thermal Protection
Insulation Resistance	Min 100MΩ by DC 500V Megger
Dielectric Withstand Voltage	AC1800V 3s
Allowable Ambient Temperature Range	- 10°C ~ + 65°C (Operating) - 40°C ~ + 70°C (Storage) non-condensing environment

**Expected Life** ※ Failure Rate: 10% (L10 Life)  
25°C 100,000 (Hours)

### Outline

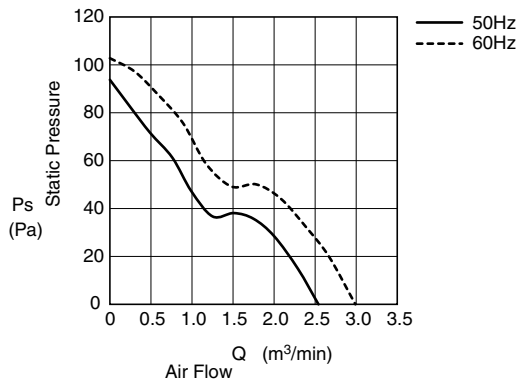
### Panel Out-cuts

(Inlet Side) / (Outlet Side)



\* Only flange type casing is available.

### Characteristic Curves



### Material

Casing	: Aluminum (Black Painting)
Impeller	: Plastic (Black) UL94V-0
Bearing	: Ball Bearing
Terminal	: Faston #110 or Equiv

\* Potting type (dust & water-proof type) is also available.

Lead Wire type is also available.  
Lead Wire : UL3398 AWG22

### Specifications

Model	Rating Voltage	Frequency	Starting Voltage	Current	Input Power	Speed	Max. Air Flow		Max. Static Pressure		Noise	Mass
	(V)	(Hz)	(V)	(A)*2	(W) <sup>+10% -20%</sup>	(min <sup>-1</sup> )*3	(m <sup>3</sup> /min)*1	(CFM)*1	(Pa)*1	(In H <sub>2</sub> O)*1	(dB)*1	(g)
11938SB-A0N-NP-00 *4715HS-10T-B5A-B00	100	50	65	0.370	18.0	2600	2.60	92.9	94.0	0.38	40.0	570
		60		0.290	15.5	3100	3.00	107.1	100.0	0.40	44.0	
11938SB-A1N-NP-00 *4715HS-12T-B5A-A00	115	50	75	0.320	18.0	2600	2.60	92.9	94.0	0.38	40.0	
		60		0.250	15.5	3100	3.00	107.1	100.0	0.40	44.0	
11938SB-B0N-NP-00 *4715HS-20T-B5A-B00	200	50	130	0.180	18.0	2600	2.60	92.9	94.0	0.38	40.0	
		60		0.150	15.5	3100	3.00	107.1	100.0	0.40	44.0	
11938SB-B2N-NP-00 *4715HS-22T-B5A-B00	220	50	145	0.160	18.0	2600	2.60	92.9	94.0	0.38	40.0	
		60		0.130	15.5	3100	3.00	107.1	100.0	0.40	44.0	
11938SB-B3N-NP-00 *4715HS-23T-B5A-A00	230	50	175	0.160	18.0	2600	2.60	92.9	94.0	0.38	40.0	
		60		0.120	15.5	3100	3.00	107.1	100.0	0.40	44.0	
11938SB-B4N-NP-00 *4715HS-24T-B5A-A00	240	50	175	0.150	18.0	2600	2.60	92.9	94.0	0.38	40.0	
		60		0.120	15.5	3100	3.00	107.1	100.0	0.40	44.0	

Rotation: Counterclockwise as seen from the label side ☒  
Airflow Outlet: Label side  
\* Legacy Part Number

\*1: Average Values in Free Air  
\*2: Maximum Values in Free Air  
\*3: Minimum Values in Free Air