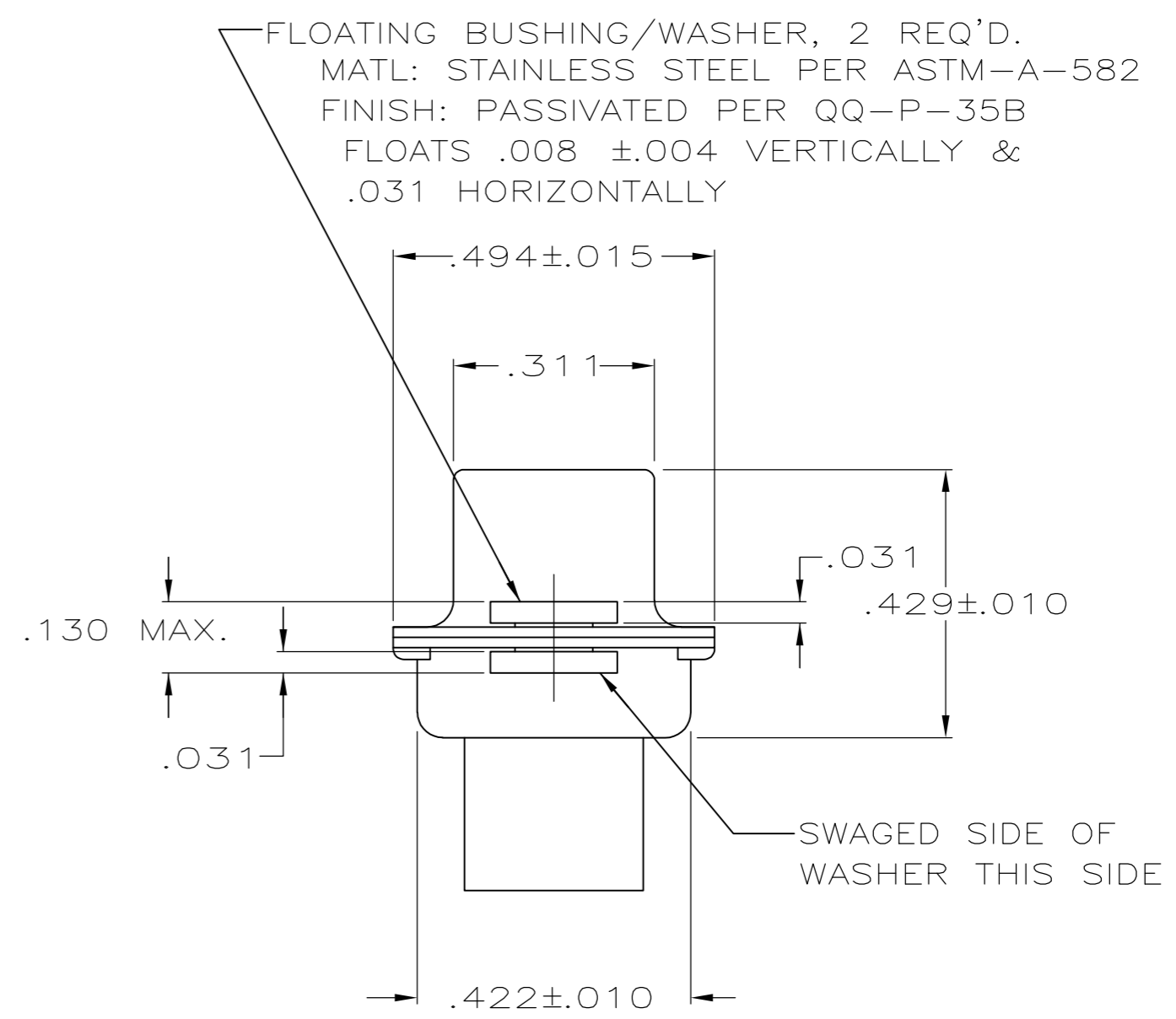
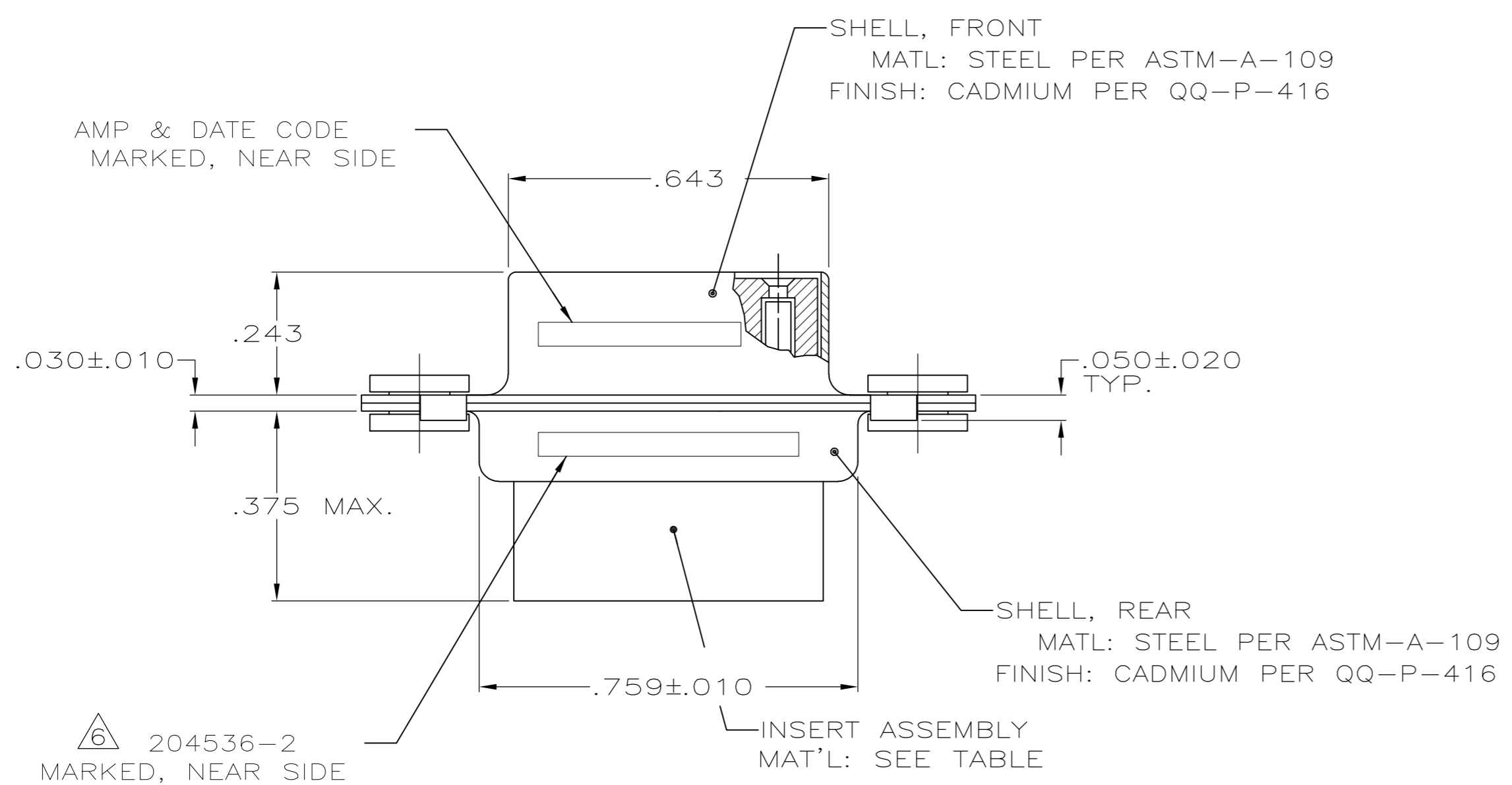
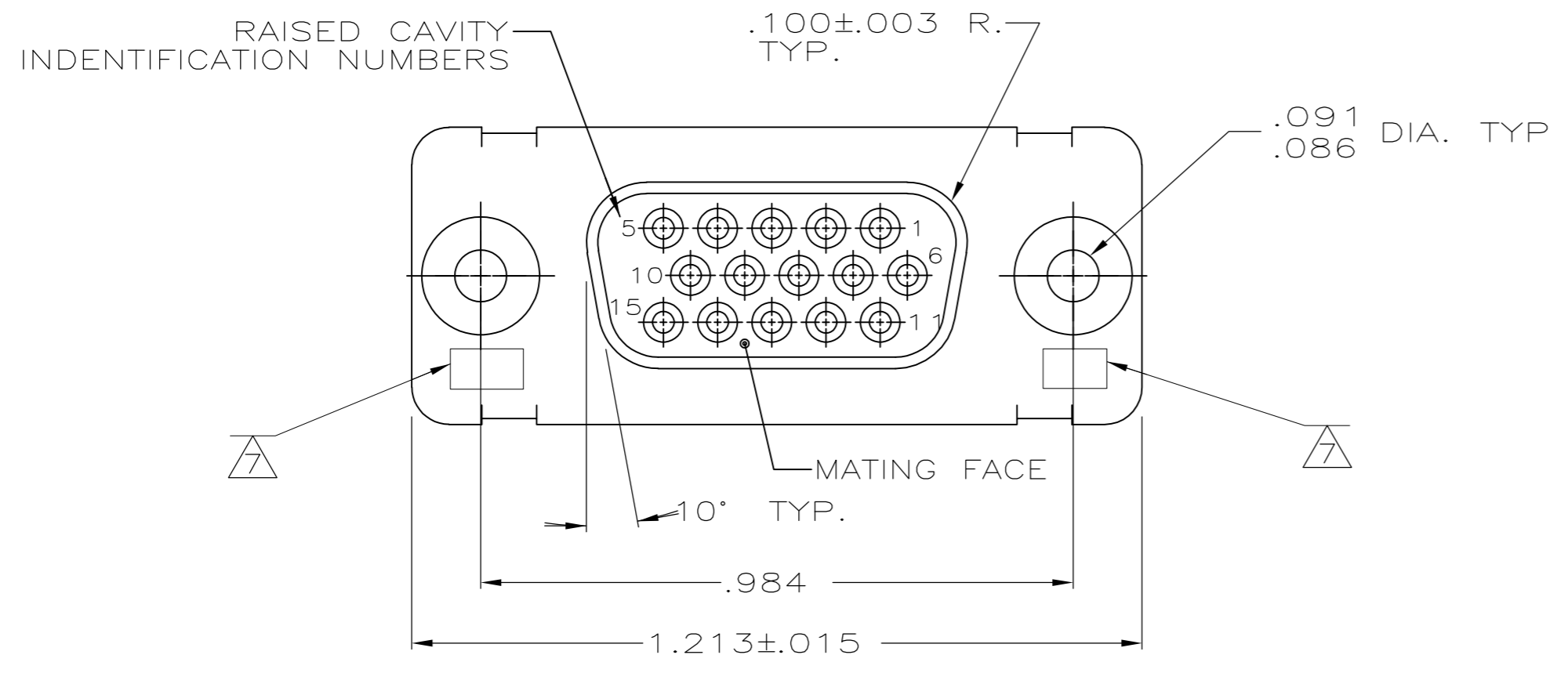


LOC		DIST		REVISIONS			
P	LTR	DESCRIPTION	DATE	DWN	APVD		
R		REV PER ECO-15-016062	09NOV15	KG	CD		



- THIS RCPT. IS DESIGNED TO CONFORM TO THE LATEST ISSUE OF MIL-C-24308
 - MAX WIRE INSUL TO BE USED WITH THIS RCPT IS .054 DIA
 - METAL RETENTION CLIPS ARE INCLUDED IN INSERTS
 - PACKAGE MARKED M 24308/2-297F
 - THIS RCPT. WILL ACCEPT SIZE 22 SOCKET CONTACT M 24308/12 OR AMP # 204351
- AMP PART NO. MARKED ON CONNECTOR REPRESENTS KIT NUMBER WITH CONTACTS
 UL/CSA DESIGNATION MARKED IN THIS AREA.

OBSOLETE	PHENOLIC, COLOR: BLACK	204524-2
	POLYPHENYLENE SULFIDE (PPS) GST-40F PER MIL-M-24519 OR GLASS FILLED POLYESTER TPES013G30 PER ASTM D5927 COLOR, BLACK	204524-1
	INSERT MATERIAL	PART NO.

THIS DRAWING IS A CONTROLLED DOCUMENT.		DWN	12-3-87	C.C.THOMAS	
DIMENSIONS: INCHES		CHK	1-25-88	F.BALLEW III	
TOLERANCES UNLESS OTHERWISE SPECIFIED:		APVD	1-25-88	D.J.M.	
0 PLC	± -	PRODUCT SPEC	-		
1 PLC	± -	APPLICATION SPEC	-		
2 PLC	± -	WEIGHT	-		
3 PLC	± .005	CUSTOMER DRAWING	-		
4 PLC	± -	SCALE	4:1		
ANGLES	± 0'30"	SHEET	1 of 1		
MATERIAL	SEE CALLOUTS	FINISH	SEE CALLOUTS		
SEE CALLOUTS		FINISH	SEE CALLOUTS		

STE TE Connectivity

AMPLIMITE RCPT. FOR SOCKET CONTACTS HI-DENSITY D CONN, SIZE 1, SERIES 90 WITH FLOAT BUSHINGS

SIZE: A2 CAGE CODE: 00779 DRAWING NO: 204524

RESTRICTED TO: -