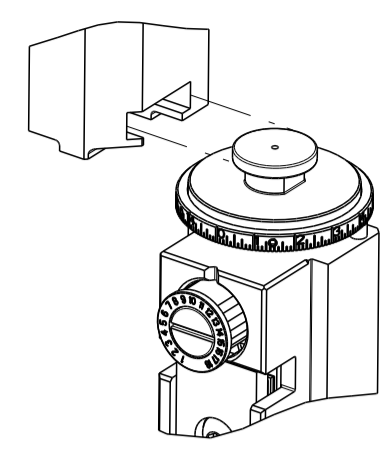


PART NUMBER	REVISION	DESCRIPTION	FEED TYPE
2150295-1	C	FINE CRIMP HEIGHT ADJUST	MECHANICAL
2150295-2	C	FINE CRIMP HEIGHT ADJUST	PNEUMATIC
7-2150295-1	C	MECHANICAL AND CRIMP TOOLING KIT	MECHANICAL
7-2150295-2	C	PNEUMATIC AND CRIMP TOOLING KIT	PNEUMATIC
7-2150295-7	A	CRIMP TOOLING KIT	-

ATLANTIC VERSION TERMINATOR INTERFACE ADAPTER



APPLICATOR DATA		
CRIMP	SIZE	TYPE
WIRE	.062 [1.57 mm]	F
INSUL	.062 [1.57 mm]	O
APPL INSTRUCTIONS 408-35043		

TERMINAL DATA: FCI TERMINAL		FCI CRIMP SPECIFICATION	
TERMINAL NAME: MINI PV RECEPTACLE			
WIRE STRIP LENGTH		INSULATION DIAMETER RANGE	
.150-.160 IN [3.81-4.06 mm]		Ø.042-.060 IN [1.07-1.52 mm]	
TERMINAL APPLICATION SPECIFICATION	TA-75 Rev S		

TERMINALS APPLIED			
TE TERMINAL	FCI TERMINAL	TE TERMINAL	FCI TERMINAL
1572367-1	48047-000LF	1-1572367-0	47441-000LF
1572367-2	48047-002LF	1-1572367-1	47441-001LF
1572367-3	48052-000LF	1-1572367-2	47441-002LF
1572367-4	48052-002LF	1-1572367-3	47566-000LF
1572367-5	48231-000LF	1-1572367-4	47566-001LF
1572367-6	482341-000LF	1-1572367-5	47566-002LF
1572367-7	48244-000LF	1-1572367-6	47785-000LF
1572367-8	48247-000LF	1-1572367-7	47221-000LF
1572367-9	48276-002LF	1-1572367-8	47648-000LF

WIRE SIZE	CRIMP HEIGHT INCH [mm]	CRIMP HEIGHT REFERENCE SETTING
18 AWG	0.043+/-0.001 [1.09+/-0.03]	13.2
20 AWG	0.043+/-0.001 [1.09+/-0.03]	13.2

- 1 REFER TO SUPPLIED INSTRUCTION SHEET FOR CLEANING, LUBRICATION AND STORAGE OF APPLICATOR.
- 3 APPLY PART NUMBER 1-23419-5 LOCTITE TO THREADS OF ITEM 180. APPLY PART NUMBER 2-23419-6 LOCTITE TO THREADS OF ITEM 242.
- 4 CRIMP HEIGHT REFERENCE SETTING WAS THE SETTING USED WHEN THE APPLICATOR WAS QUALIFIED AT THE FACTORY. ADJUSTMENT MAY BE NECESSARY WHEN RUNNING APPLICATOR IN THE FIELD.
- 5. UNLESS SPECIFIED OTHERWISE TORQUE VALUES SHALL BE USED PER DOCUMENT, 101-35000.
- 6 TERMINAL LUBRICANT IS RECOMMENDED.

**\*WARNING**  
 ON INSTALLATION, SET WIRE DISC TO CRIMP HEIGHT REFERENCE SETTING FOR LARGEST WIRE SIZE. CRIMP HEIGHT REFERENCE SETTINGS GREATER THAN THE VALUE SHOWN MAY CAUSE DAMAGE TO THE CRIMP TOOLING, REFER TO THE INSTRUCTION SHEET FOR PROPER SETUP AND ADJUSTMENTS.

ATLANTIC VERSION  
 Shown on sheets 1 of 4 & 2 of 4  
 (Pacific version shown on sheets 3 of 4 & 4 of 4)

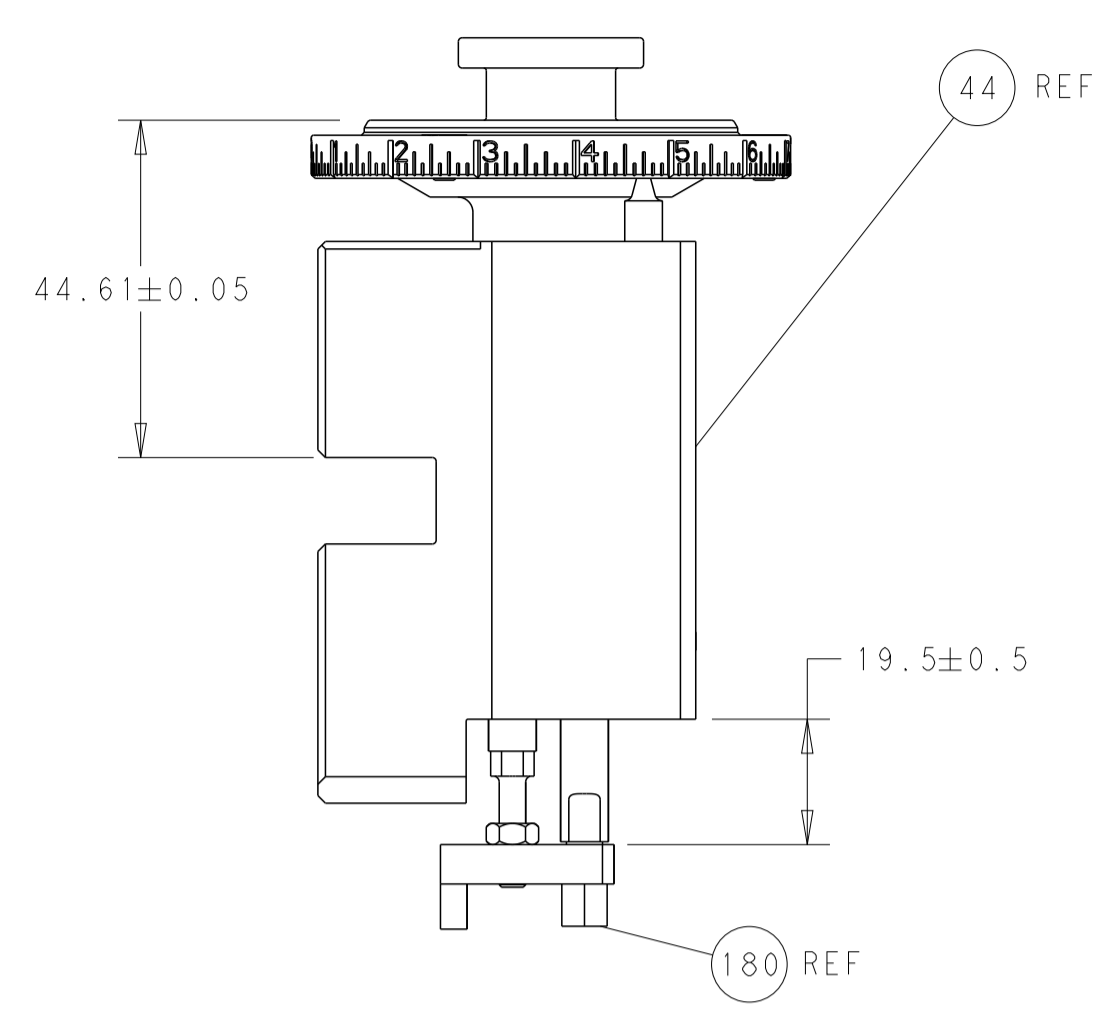
LOC	DIST	REVISIONS					
		P	LTN	DESCRIPTION	DATE	OWN	APVD
A	66	2		REVISED	24JAN2013	RK	GB
		A		RELEASED	05FEB2013	RW	GB
		B		ECR-22-158940	21NOV2022	FZ	TE
		C		ECR-23-169514	16MAR2023	ROY	TLE

-	1	-	1	-	2119641-1	FEED CAM, AIR FEED	248	
-	1	1	1	1	2119082-9	CAM, SNAIL, INSULATION ADJUSTMENT	244	
-	1	1	1	1	2079764-1	WASHER, WAVE SPRING, CREST-TO-CREST	243	
3	-	1	1	1	2119083-1	RETAINER, INSULATION DIAL	242	
-	-	1	-	1	2119580-1	MECHANICAL FEED ASSEMBLY	239	
-	1	-	1	-	2844940-3	AIR FEED MODULE	238	
-	1	1	1	1	1-18028-0	WASHER, FLAT, REG M8	192	
3	-	1	1	1	1752354-7	STANDOFF, HOLD-DOWN	180	
-	1	1	1	1	6-993111-6	PIN, SLOTTED SPRING 3.0 X 14.0	177	
-	1	1	1	1	8-22280-7	SPRING, COMPRESSION	176	
-	1	1	1	1	1752353-2	GUIDE PIN, HOLDDOWN	175	
-	1	1	1	1	1901680-2	GUIDE PIN, HOLDDOWN	174	
-	REF	REF	REF	REF	994970-2	COUNTER, MAGNETIC	164	
6	-	1	1	1	2119955-2	ASSY, LUBRICATOR, END FEED	84	
-	1	1	1	1	455888-3	SPACER, CRIMPER	82	
-	1	1	1	1	2119791-5	DEPRESSOR, WIRE	73	
-	1	1	1	1	1803607-4	DOCUMENTATION PACKAGE	71	
-	2	2	2	2	2-18032-2	SCR, SET, FLT PNT, M3 X 10.0	70	
-	1	1	1	1	2119943-1	WASHER, SPACER	69	
-	1	1	1	1	2119740-1	TAG, IDENTIFICATION	67	
-	2	2	2	2	2168078-1	SCREW, DRIVE, RH, RoHS, 2 x .188	66	
-	1	1	1	1	1-1901681-7	HOLDDOWN, TERMINAL	65	
-	1	1	1	1	2168083-2	SCR, SKT HD CAP, RoHS, M4 X 8.0	60	
-	1	1	1	1	5-18022-5	SCR, HEX HD CAP, M4 X 6.0	59	
-	-	1	-	1	2063961-1	FEED FINGER	58	
-	4	4	4	4	2168400-4	SHCS, LOW HEAD, RoHS, M4 X 8	57	
-	2	2	2	2	2168083-2	SCR, SKT HD CAP, RoHS, M4 X 8.0	56	
-	2	2	2	2	5018030-1	NUT, HEX, REG, RoHS, M3	54	
-	2	2	2	2	986965-8	NUT, LOCK, HEX, TORQUE (M4)	53	
-	1	1	1	1	1-5018030-0	NUT, HEX, REG, RoHS, M3.5	52	
-	1	-	1	-	2063961-9	FEED FINGER	51	
-	1	2	1	2	18023-9	SCR, SKT HD CAP M4 X 6.0	49	
-	-	1	-	1	2119652-1	FEED CAM, PRE FEED	48	
-	-	1	-	1	2119653-1	FEED CAM, POST FEED	47	
-	1	1	1	1	2119655-5	APPLICATOR BASIC ASSEMBLY, EF	46	
-	1	1	1	1	1803517-1	RAM ASSEMBLY, EF ATLANTIC	44	
-	1	1	1	1	1803602-1	SCR, BHSC, RoHS (M8 X 25)	41	
-	8	8	8	8	1-18028-2	WASHER, FLAT, REG M4	33	
-	2	2	2	2	2168083-9	SCR, SKT HD CAP, RoHS, M4 X 20	31	
-	2	2	2	2	2168083-2	SCR, SKT HD CAP, RoHS, M4 X 8.0	29	
-	1	1	1	1	240639-2	STRIPPER (MACHINING)	27	
-	2	2	2	2	1-2168083-5	SCR, SKT HD CAP, RoHS, M4 X 30	25	
-	1	1	1	1	1752371-5	PLATE, STRIP GUIDE	24	
-	2	2	2	2	2-22281-3	SPRING, COMPRESSION	22	
-	1	1	1	1	1803292-4	DRAG	20	
-	1	1	1	1	4-1901696-9	STRIP GUIDE, REAR	19	
-	1	1	1	1	5-1901695-0	STRIP GUIDE, FRONT	18	
-	4	4	4	4	1-2079383-1	SCR, BHSC, RoHS (M6 X 12)	17	
1	-	1	1	1	240644-1	PLATE, REAR SHEAR	11	
1	-	2	2	2	2-240645-7	SPACER, SHEAR PLATE	10	
1	-	1	1	1	240642-5	PLATE, FRONT SHEAR	9	
1	2	2	1	1	1-1333214-8	ANVIL, EF .062	8	
1	-	1	1	1	8-240651-6	BLADE, SLUG	7	
-	-	-	-	-	-	-	6	
-	1	1	1	1	2-240641-8	SPACER	5	
-	1	1	1	1	2-238011-2	BLOCK, CRIMPER SPACER	4	
1	2	2	1	1	1-2119784-3	CRIMPER, INSULATION O PREMIUM	3	
-	1	1	1	1	455888-3	SPACER, CRIMPER	2	
1	2	2	1	1	1-456403-5	CRIMPER, WIRE PREMIUM	1	
-	77	72	71	2	-1	PART NO	DESCRIPTION	ITEM NO

DIMENSIONS:		TOLERANCES UNLESS OTHERWISE SPECIFIED:		DRAWING NO	
mm	0 PLC ±	1 PLC ±	2 PLC ±	3 PLC ±	4 PLC ±
	ANGLES	FINISH			
MATERIAL		WEIGHT		SCALE	

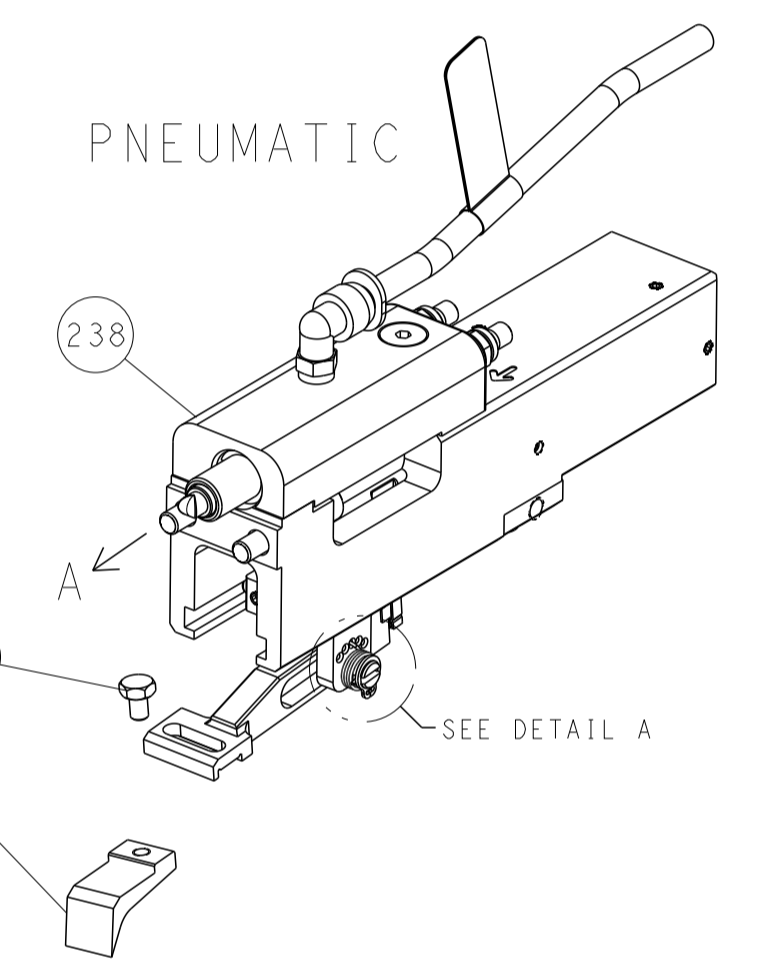
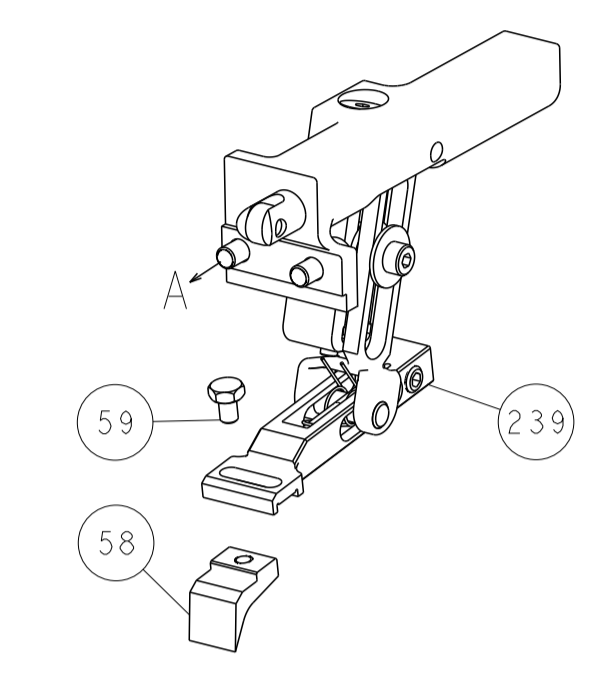
CHK R. O. WILSON K. J. STAKEM	18OCT2012 02NOV2012	TE Connectivity Harrisburg, PA 17105-3608
APVD T. L. ELBIN	05NOV2012	NAME Ocean End Feed Applicator
PRODUCT SPEC		SIZE A1
APPLICATION SPEC		CAGE CODE 00779
		DRAWING NO 2150295
		RESTRICTED TO
		Customer Accessible Production Drawing
		SHEET 1 OF 4
		REV C

LOC		DIST		REVISIONS			
A	66	P	LTM	DESCRIPTION	DATE	OWN	APVD
		-		SEE SHEET 1			

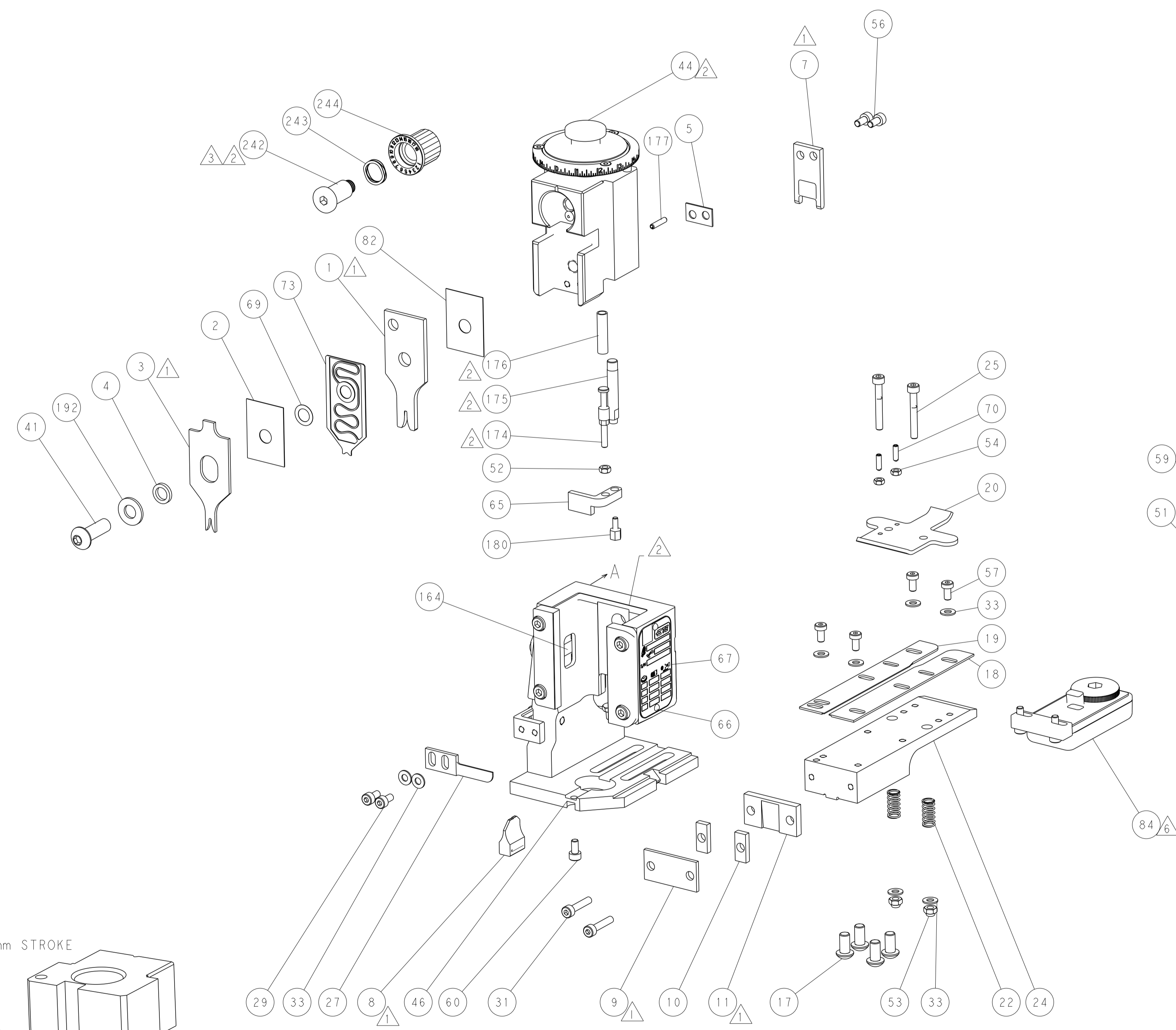
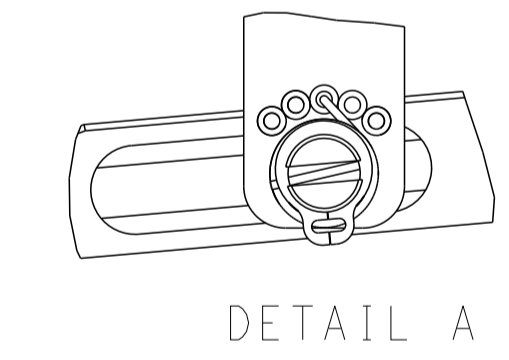


RAM AND HOLD DOWN SET-UP

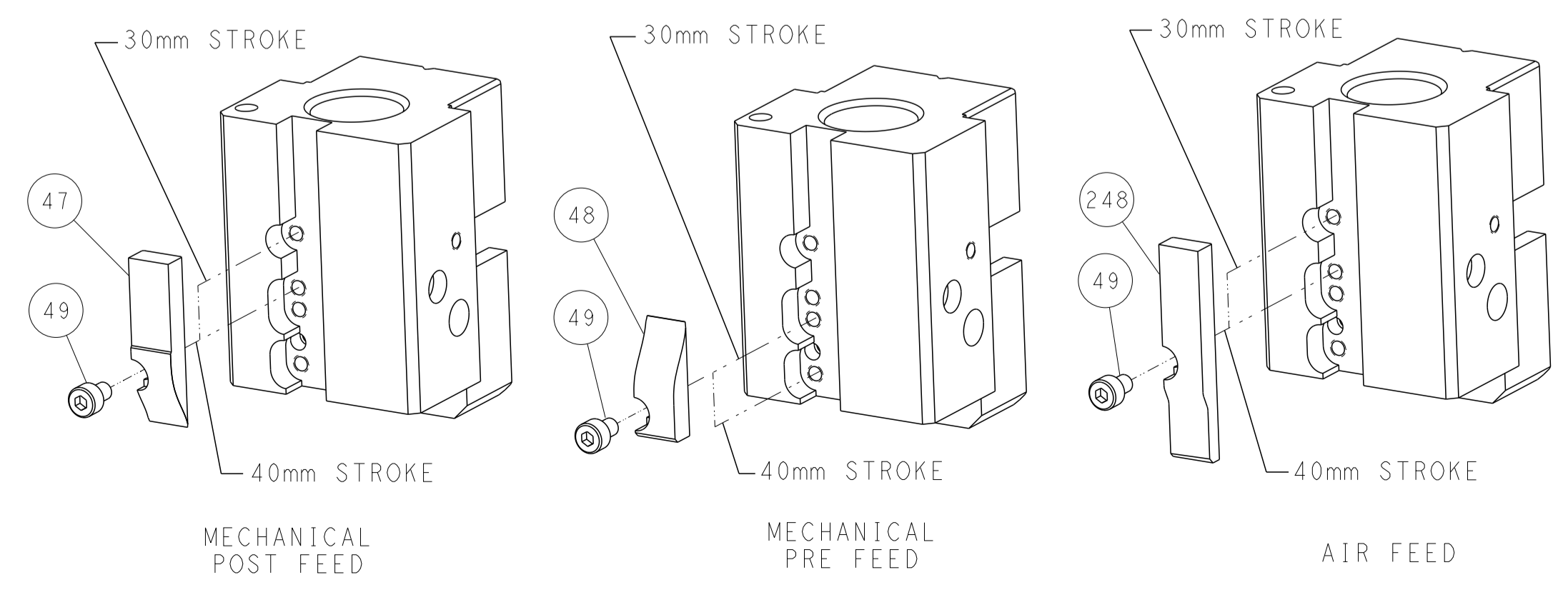
FEED TYPE  
MECHANICAL



FEED SPRING  
SETTING POSITION



CAM POSITIONS

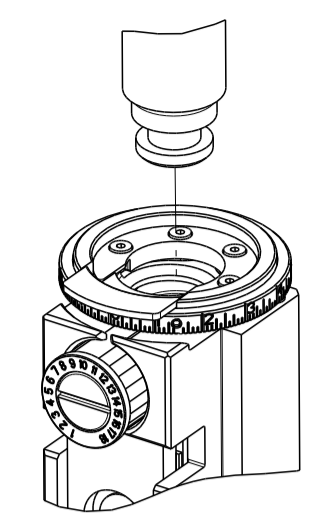


**ATLANTIC VERSION**  
 Shown on sheets 1 of 4 & 2 of 4  
 (Pacific version shown on sheets 3 of 4 & 4 of 4)

DIMENSIONS:		TOLERANCES UNLESS OTHERWISE SPECIFIED:		DWG: R.O. WILSON 18OCT2012		TE Connectivity	
mm		0 PLC ±		CHK: K. J. STAKEM 02NOV2012		Harrisburg, PA 17105-3608	
Ø		1 PLC ±		APVD: T. L. ELBIN 05NOV2012		NAME: Ocean End Feed Applicator	
H		2 PLC ±		PRODUCT SPEC		SIZE: CAGE CODE: DRAWING NO: RESTRICTED TO	
D		3 PLC ±		APPLICATION SPEC		A1 00779 ©=2150295	
R		4 PLC ±		WEIGHT		Customer Accessible Production Drawing	
ANGLES		FINISH		SCALE: 1:1		SHEET 2 OF 4 REV C	

PART NUMBER	REVISION	DESCRIPTION	FEED TYPE
2-2150295-1	C	FINE CRIMP HEIGHT ADJUST	MECHANICAL
2-2150295-2	C	FINE CRIMP HEIGHT ADJUST	PNEUMATIC
7-2150295-7	A	CRIMP TOOLING KIT	-

PACIFIC VERSION TERMINATOR  
 INTERFACE ADAPTER



APPLICATOR DATA

CRIMP	SIZE	TYPE
WIRE	.062 [1.57 mm]	F
INSUL	.062 [1.57 mm]	Ø

APPL INSTRUCTIONS  
 408-35043

TERMINAL DATA: FCI TERMINAL FCI CRIMP SPECIFICATION

TERMINAL NAME: MINI PV RECEPTACLE

WIRE STRIP LENGTH	INSULATION DIAMETER RANGE
.150-.160 IN [3.81-4.06 mm]	Ø.042-.060 IN [1.07-1.52 mm]

TERMINAL APPLICATION SPECIFICATION TA-75 Rev S

TERMINALS APPLIED

TE TERMINAL	FCI TERMINAL	TE TERMINAL	FCI TERMINAL
1572367-1	48047-000LF	1-1572367-0	47441-000LF
1572367-2	48047-002LF	1-1572367-1	47441-001LF
1572367-3	48052-000LF	1-1572367-2	47441-002LF
1572367-4	48052-002LF	1-1572367-3	47566-000LF
1572367-5	48231-000LF	1-1572367-4	47566-001LF
1572367-6	482341-000LF	1-1572367-5	47566-002LF
1572367-7	48244-000LF	1-1572367-6	47785-000LF
1572367-8	48247-000LF	1-1572367-7	47221-000LF
1572367-9	48276-002LF	1-1572367-8	47648-000LF

WIRE SIZE	CRIMP HEIGHT INCH [mm]	CRIMP HEIGHT REFERENCE SETTING
18 AWG	0.043+/-0.001 [1.09+/-0.03]	13.2
20 AWG	0.043+/-0.001 [1.09+/-0.03]	13.2

- RECOMMENDED SPARE PARTS
- REFER TO SUPPLIED INSTRUCTION SHEET FOR CLEANING, LUBRICATION AND STORAGE OF APPLICATOR.
- APPLY PART NUMBER 1-23419-5 LOCTITE TO THREADS OF ITEM 180. APPLY PART NUMBER 2-23419-6 LOCTITE TO THREADS OF ITEM 242.
- CRIMP HEIGHT REFERENCE SETTING WAS THE SETTING USED WHEN THE APPLICATOR WAS QUALIFIED AT THE FACTORY. ADJUSTMENT MAY BE NECESSARY WHEN RUNNING APPLICATOR IN THE FIELD.
- UNLESS SPECIFIED OTHERWISE TORQUE VALUES SHALL BE USED PER DOCUMENT, 101-35000.
- TERMINAL LUBRICANT IS RECOMMENDED.

**\*WARNING**  
 ON INSTALLATION, SET WIRE DISC TO CRIMP HEIGHT REFERENCE SETTING FOR LARGEST WIRE SIZE. CRIMP HEIGHT REFERENCE SETTINGS GREATER THAN THE VALUE SHOWN MAY CAUSE DAMAGE TO THE CRIMP TOOLING, REFER TO THE INSTRUCTION SHEET FOR PROPER SETUP AND ADJUSTMENTS.

PACIFIC VERSION  
 Shown on sheets 3 of 4 & 4 of 4  
 (Atlantic version shown on sheets 1 of 4 & 2 of 4)

LOC	DIST	REVISIONS
A	66	
		DESCRIPTION
		DATE
		OWN
		APVD

-	1	1	2119082-9	CAM, SNAIL, INSULATION ADJUSTMENT	244	
-	1	1	2079764-1	WASHER, WAVE SPRING, CREST-TO-CREST	243	
-	1	1	2119083-1	RETAINER, INSULATION DIAL	242	
-	-	1	2119580-1	MECHANICAL FEED ASSEMBLY	239	
-	1	-	2844940-3	AIR FEED MODULE	238	
-	1	1	1-18028-0	WASHER, FLAT, REG M8	192	
-	4	4	2079383-9	SCR, BHSC, RoHS (M6 X 20)	186	
-	1	1	1752354-7	STANDOFF, HOLD-DOWN	180	
-	1	1	6-993111-6	PIN, SLOTTED SPRING 3.0 X 14.0	177	
-	1	1	8-22280-7	SPRING, COMPRESSION	176	
-	1	1	1752353-2	GUIDE PIN, HOLDDOWN	175	
-	1	1	1901680-2	GUIDE PIN, HOLDDOWN	174	
-	REF	REF	994970-2	COUNTER, MAGNETIC	164	
-	1	-	2119641-2	FEED CAM, AIR FEED	152	
-	1	1	2168083-8	SCR, SKT HD CAP, RoHS, M4 X 16	144	
-	-	1	2119653-2	FEED CAM, POST FEED	142	
-	1	1	2119655-6	APPLICATOR BASIC ASSEMBLY, EF	141	
-	1	1	1803518-1	RAM ASSEMBLY, EF PACIFIC	140	
-	1	1	2119955-2	ASSY, LUBRICATOR, END FEED	84	
-	1	1	455888-3	SPACER, CRIMPER	82	
-	1	1	2119791-5	DEPRESSOR, WIRE	73	
-	1	1	1803607-4	DOCUMENTATION PACKAGE	71	
-	2	2	2-18032-2	SCR, SET, FLT PNT, M3 X 10.0	70	
-	1	1	2119943-1	WASHER, SPACER	69	
-	1	1	2119740-1	TAG, IDENTIFICATION	67	
-	2	2	2168078-1	SCREW, DRIVE, RH, RoHS, 2 x .188	66	
-	1	1	1-1901681-7	HOLDDOWN, TERMINAL	65	
-	1	1	5-18022-5	SCR, HEX HD CAP, M4 X 6.0	59	
-	-	1	2063961-1	FEED FINGER	58	
-	4	4	2168400-4	SHCS, LOW HEAD, RoHS, M4 X 8	57	
-	2	2	2168083-2	SCR, SKT HD CAP, RoHS, M4 X 8.0	56	
-	2	2	5018030-1	NUT, HEX, REG, RoHS, M3	54	
-	2	2	986965-8	NUT, LOCK, HEX, TORQUE (M4)	53	
-	1	1	1-5018030-0	NUT, HEX, REG, RoHS, M3.5	52	
-	1	-	2063961-9	FEED FINGER	51	
-	1	2	18023-9	SCR, SKT HD CAP M4 X 6.0	49	
-	-	1	2119652-1	FEED CAM, PRE FEED	48	
-	1	1	1803602-1	SCR, BHSC, RoHS (M8 X 25)	41	
-	8	8	1-18028-2	WASHER, FLAT, REG M4	33	
-	2	2	2168083-9	SCR, SKT HD CAP, RoHS, M4 X 20	31	
-	2	2	2168083-2	SCR, SKT HD CAP, RoHS, M4 X 8.0	29	
-	1	1	240639-2	STRIPPER (MACHINING)	27	
-	2	2	1-2168083-5	SCR, SKT HD CAP, RoHS, M4 X 30	25	
-	1	1	1752371-5	PLATE, STRIP GUIDE	24	
-	2	2	2-22281-3	SPRING, COMPRESSION	22	
-	1	1	1803292-4	DRAG	20	
-	1	1	4-1901696-9	STRIP GUIDE, REAR	19	
-	1	1	5-1901695-0	STRIP GUIDE, FRONT	18	
-	1	1	240644-1	PLATE, REAR SHEAR	11	
-	2	2	2-240645-7	SPACER, SHEAR PLATE	10	
-	1	1	240642-5	PLATE, FRONT SHEAR	9	
-	1	1	1-1333214-8	ANVIL, EF .062	8	
-	1	1	8-240651-6	BLADE, SLUG	7	
-	-	-	-	-	6	
-	1	1	2-240641-8	SPACER	5	
-	1	1	2-238011-2	BLOCK, CRIMPER SPACER	4	
-	1	1	1-2119784-3	CRIMPER, INSULATION O PREMIUM	3	
-	1	1	455888-3	SPACER, CRIMPER	2	
-	1	1	1-456403-5	CRIMPER, WIRE PREMIUM	1	
-	77	22	21	PART NO	DESCRIPTION	ITEM NO

DIMENSIONS:		TOLERANCES UNLESS OTHERWISE SPECIFIED:		MATERIAL:	
mm	0 PLC ±	1 PLC ±	2 PLC ±	3 PLC ±	4 PLC ±
	ANGLES	FINISH			

CHK R. O. WILSON	18OCT2012	DWN
CHK K. J. STARKEM	02NOV2012	APVD
CHK I. L. ELBIN	05NOV2012	APVD
NAME: Ocean End Feed Applicator		
SIZE: A1	CAGE CODE: 00779	DRAWING NO: C=2150295
Customer Accessible Production Drawing		
SCALE: 1:1	SHEET: 3	OF: 4
REV: C		

