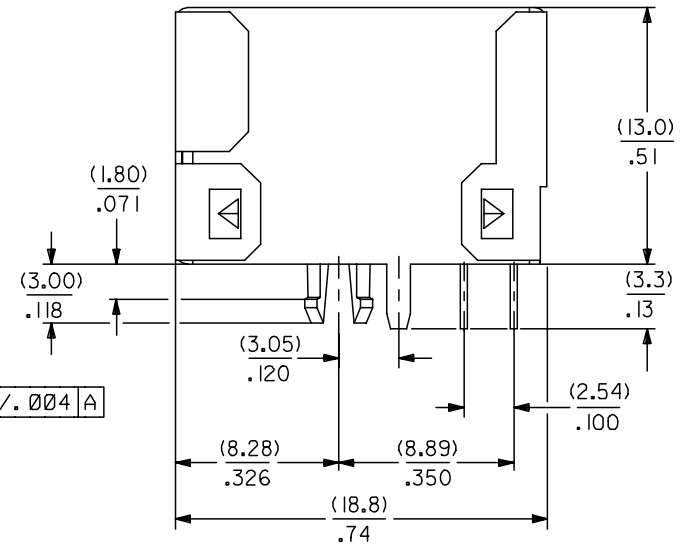
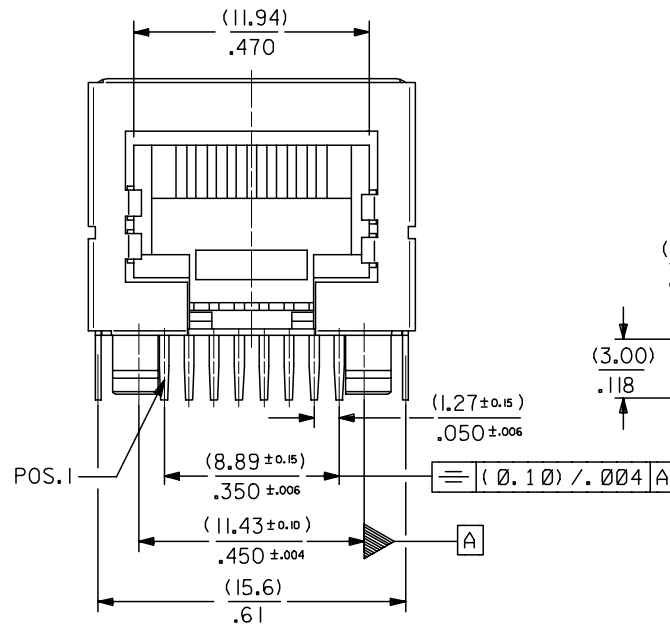
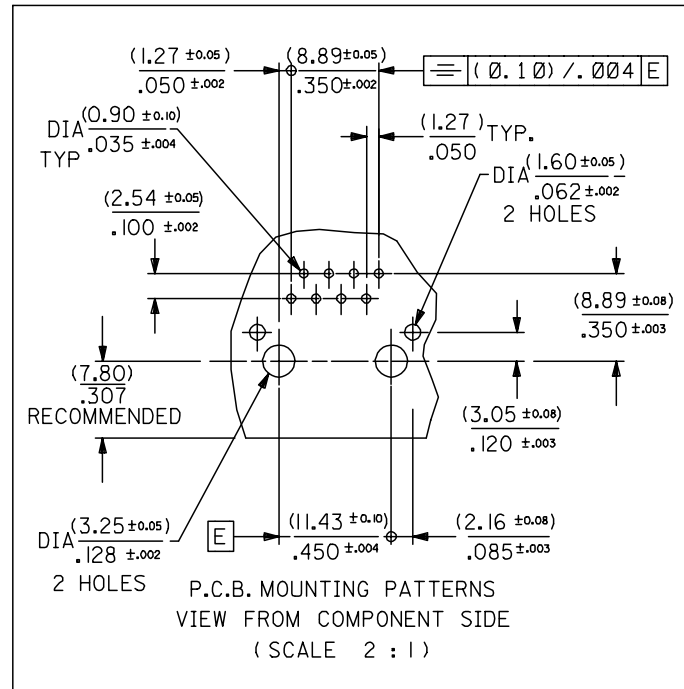
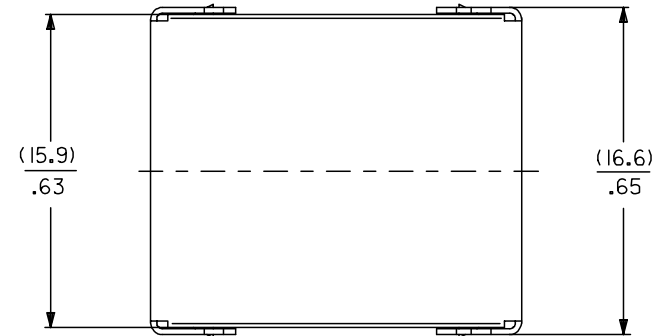


TECHNICAL SPECIFICATIONS:

I- MATERIAL :

HOUSING : POLYESTER GLASS FILLED UL 94V0
COLOR BLACK

TERMINAL : PHOSPHOR BRONZE PLATED WITH :
(0.00127)/.000050 MIN. GOLD IN CONTACT AREA,
(0.00190)/.000075 MIN. PURE TIN IN TAIL AREA,
BOTH OVER (0.00127)/.000050 MIN. NICKEL OVERALL
SHIELD : BRASS PLATED WITH (0.0020)/.000078 MIN. TIN.



NOTES:

- 1- JACK FOR MATING WITH SHIELDED PLUG MOLEX 95043 AND 85568 SERIES.
- 2- PRODUCT SPECIFICATION: MOLEX PS-95122.
- 3- APPLICATION SPECIFICATION: MOLEX AS-95001.
- 4- PACKAGING SPECIFICATION: MOLEX PK-95122 SHEET 1
- 5- P.C. BOARD THICKNESS : (1.57) / .062

ENTER DESCRIPTION EC NO: MG2005-0122 DRAWN: KNOLLER 2004/10/08 CHKD: FCARABET 2004/10/08 APPR: KNOLLER 2004/10/08	QUALITY SYMBOLS ▽=0 ▽=0	GENERAL TOLERANCES (UNLESS SPECIFIED)		DIMENSION STYLE		SCALE	DESIGN UNITS	THIRD ANGLE PROJECTION	
				MM/IN		4:1	METRIC		
REV	DESCRIPTION	4 PLACES	± ---	± ---	DRAWN BY	DATE	TITLE FULLY SHIELDED R/A MODULAR JACK 8 CKTS THROUGH HOLE - VERSION B		
		3 PLACES	± ---	± .010	FB	96/05/21			
K		2 PLACES	± 0.25	± .014	CHECKED BY	DATE	MOLEX INCORPORATED		
		1 PLACE	± 0.35	± ---	ER	96/05/21			
		ANGULAR ± 2 °		APPROVED BY	DATE	DOCUMENT NO. SDA-95122			
				JB	96/05/21				
		DRAFT WHERE APPLICABLE MUST REMAIN WITHIN DIMENSIONS		MATERIAL NO.	95122-2885		SHEET NO. 3 OF 3		
SIZE A3 THIS DRAWING CONTAINS INFORMATION THAT IS PROPRIETARY TO MOLEX INCORPORATED AND SHOULD NOT BE USED WITHOUT WRITTEN PERMISSION									