

Needle gripper

SNG-M 4 0.8

Part no...:10.01.29.00001

<https://www.schmalz.com/10.01.29.00001>

Home > Vacuum Technology for Automation > Vacuum Components > Special Grippers > Needle Grippers > Needle Grippers SNG-M > SNG-M 4 0.8

Needle gripper "SNG-M", particularly compact version



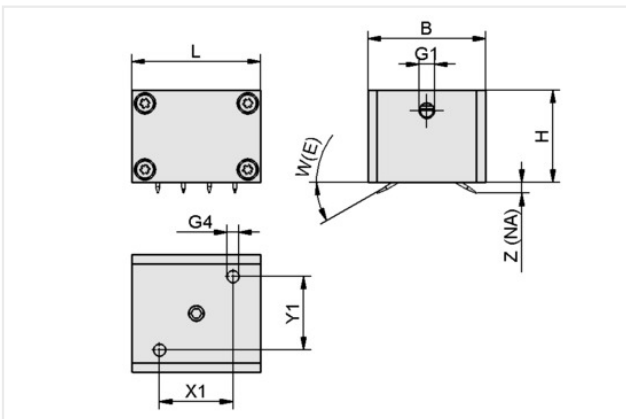
Number of needles: 4

Needle diameter: 0.8 mm

Needle stroke Z(NA): 3 mm

Pressure range (operating pressure): 4.0 ... 6.0 bar

Design Data



Attribute	Value
B	32.50 mm
G1	M5-F
G4	M4-F
H	25 mm
L	35 mm
W(E)	30 °
X1	20 mm
Y1	20 mm
Z(NA)	3 mm

Technical Data

Attribute	Value
Number of needles	4
Needle diameter	0.80 mm
Pressure range (operating pressure)	4.0 ... 6.0 bar
Operating temperature	5 ... 60 °C
Weight	80 g
Product family	SNG-M

Contact Schmalz

Schmalz Inc. | 5850 Oak Forest Drive, Raleigh, NC 27616, United States | +1 (919) 713-0880 | schmalz.us@schmalz.com

Needle gripper

SNG-M 4 0.8

Part no...:10.01.29.00001

<https://www.schmalz.com/10.01.29.00001>

Accessories



BEF-PL 31x34x11.5 G1/4-IG SNG

Part no...:10.01.29.00093

Construction use: Needle gripper

Length L: 31 mm

Width B: 34 mm

Height H: 11.5 mm

Thread G1: G1/4"-F



STV-W M5-AG 6

Part no...:10.08.02.00296

Pressure range (operating pressure): bar

Length L: 20.8 mm

Height H: 13 mm

Thread G1: M5-M



STV-GE M5-AG 6

Part no...:10.08.02.00201

Thread G1: M5-M

Hose diameter: 6 mm

Material: Brass

Operating temperature: -20 ... 80 °C

External diameter D: 9.9 mm

Length L: 18.8 mm

Contact Schmalz

Schmalz Inc. | 5850 Oak Forest Drive, Raleigh, NC 27616, United States | +1 (919) 713-0880 | schmalz.us@schmalz.com

Needle gripper

SNG-M 4 0.8

Part no.:10.01.29.00001

<https://www.schmalz.com/10.01.29.00001>



VSL 6-4 PU MI-TR

Part no.:10.07.09.00002

External diameter D: 6 mm

Internal diameter d: 4 mm

Length max.: 500 m

Material hose: PU

Bending radius min.: 35 mm

Pressure range (operating pressure): -0.95 ... 10.00 bar

Operating temperature: -20 ... 90 °C

Spare parts



ERS SNG-M 4 0.8

Part no.:10.01.29.00094

Construction use: Needle gripper

Size: M

Number of needles: 4

Needle diameter: 0.8 mm

and: Needle piston assembled / TORX screw