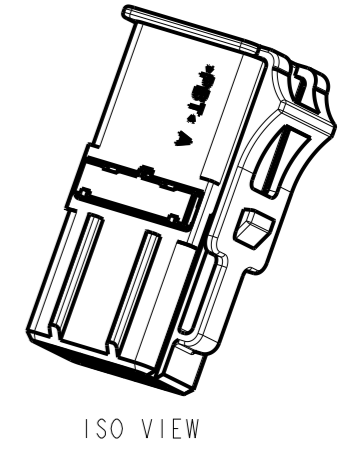
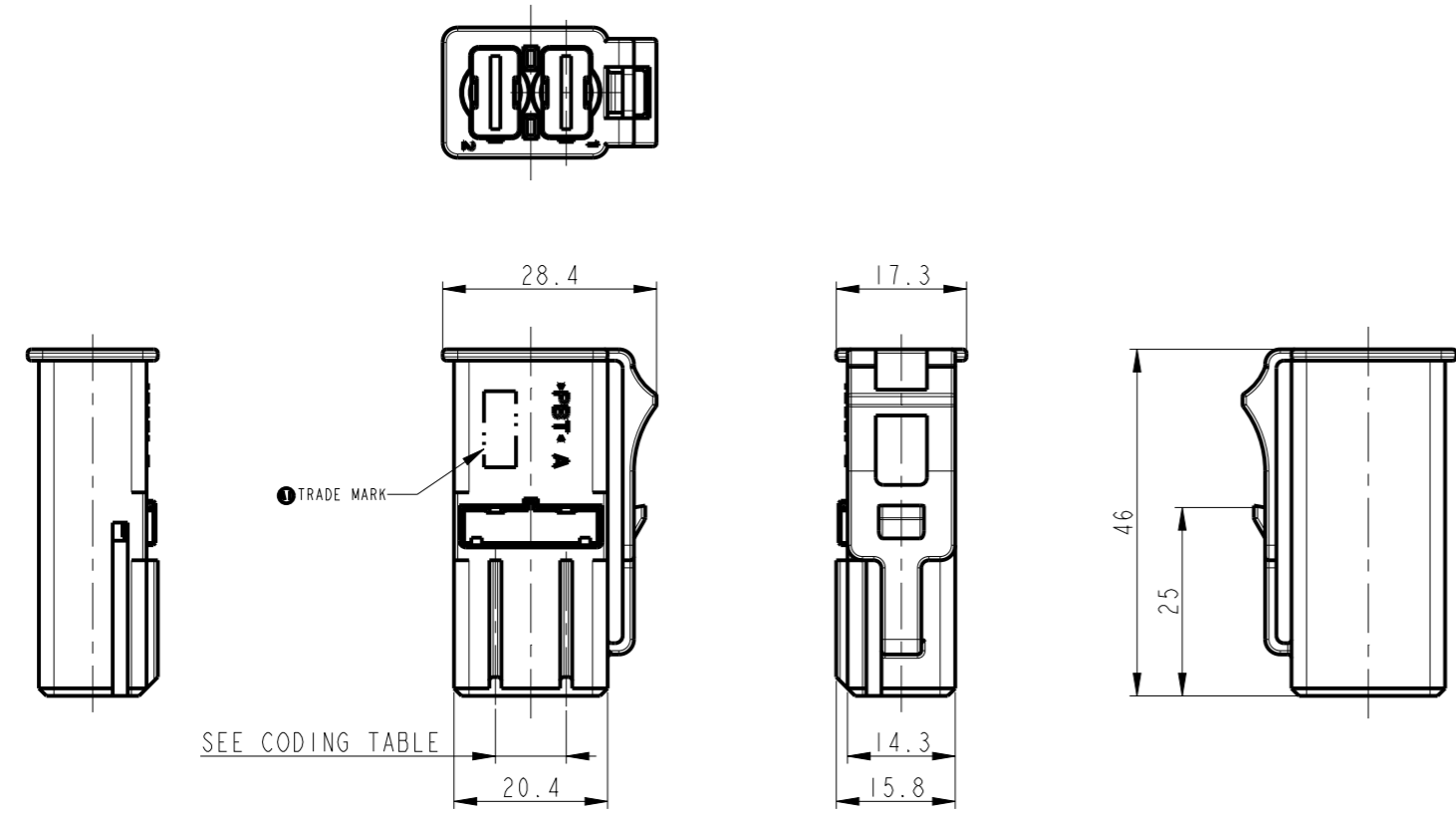


THIS DRAWING IS UNPUBLISHED. RELEASED FOR PUBLICATION 20
 © COPYRIGHT 20 BY - ALL RIGHTS RESERVED.

REVISIONS					
P	LTR	DESCRIPTION	DATE	DWN	APVD
	B	REVISED (ECR-13-015981)	29MAY2013	JM	HG
	B1	REVISED (ECR-21-104808)	10JUN2021	YH	YJ

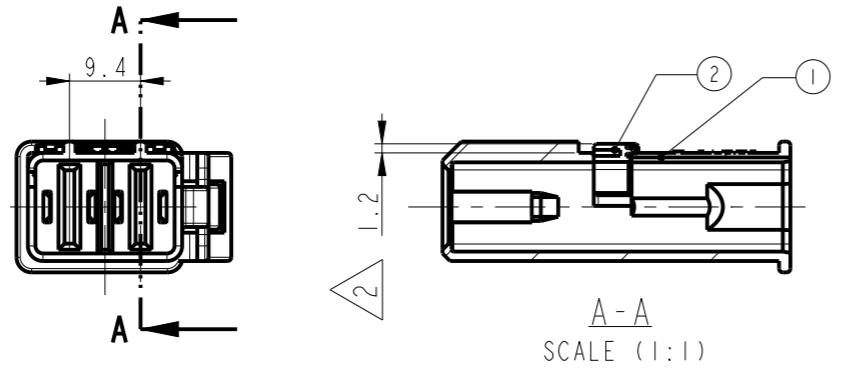


NOTE,

- GENERAL TOLERANCE : $\pm 0.3, \pm 3^\circ$
- CONDITION OF DELIEVERY: DBL PLATE IN OPEN POSITION.
- THE MATING HSG. P/N : 936616 (UNIT TYPE)
P/N : 1897198 (W TO W TYPE)
- APPLICABLE CONTACT P/N :
MCP 9.5mm REC.; 1-967588-1, MAX INSULATION SIZE : 6.5mm
- MATING & UNMATING FORCE :
2 POSITION ---> MAX 10Kgf

ASS'Y P/N	DESCRIPTION	ASS'Y P/N	DESCRIPTION
5-936619-8	2P PLUG ASS'Y	5-936619-8	2P PLUG ASS'Y
4-936619-7	2P PLUG ASS'Y	4-936619-7	2P PLUG ASS'Y
3-936619-4	2P PLUG ASS'Y	3-936619-4	2P PLUG ASS'Y
2-936619-3	2P PLUG ASS'Y	2-936619-3	2P PLUG ASS'Y
1-936619-1	2P PLUG ASS'Y	1-936619-1	2P PLUG ASS'Y
0-936619-6	2P PLUG ASS'Y	0-936619-6	2P PLUG ASS'Y
0-936619-4	2P PLUG ASS'Y	0-936619-4	2P PLUG ASS'Y
0-936619-2	2P PLUG ASS'Y	0-936619-2	2P PLUG ASS'Y

SEE CODING TABLE



① CODING TABLE

0-936619-6	1-936619-1	2-936619-3	3-936619-4	4-936619-7	5-936619-8
0-936619-4					
0-936619-2					
9.4	7.05	2.35	2.35	7.05	

NO	COLOR	MATERIAL	DESCRIPTION	Q'TY
2	NATURAL	PBT	DBL HSG	1
1	BLUE	PBT	2P PLUG HSG	1
	GREEN	PBT	2P PLUG HSG	1
	BROWN	PBT	2P PLUG HSG	1
	GRAY	PBT	2P PLUG HSG	1
	WHITE	PBT	2P PLUG HSG	1
	RED	PBT	2P PLUG HSG	1
	BROWN	PBT	2P PLUG HSG	1
	BLACK	PBT	2P PLUG HSG	1

THIS DRAWING IS A CONTROLLED DOCUMENT.		DWN JM JEON		TE Connectivity	
DIMENSIONS: mm		CHK JW JUNG			
TOLERANCES UNLESS OTHERWISE SPECIFIED:		APVD HG CHO		NAME MCP 9.5mm 2P PLUG ASS'Y	
0 PLC ±		PRODUCT SPEC -		SIZE A3	
1 PLC ±		APPLICATION SPEC -		CAGE CODE 00779	
2 PLC ±		WEIGHT -		DRAWING NO C-936619	
3 PLC ±		CUSTOMER DRAWING		RESTRICTED TO	
4 PLC ±		SCALE 1:1		SHEET 1 OF 1	
ANGLES ±		FINISH -		REV B1	
MATERIAL SEE TABLE material_2		SCALE 1:1		SHEET 1 OF 1	
FINISH finish_spec_2		SHEET 1 OF 1		REV B1	