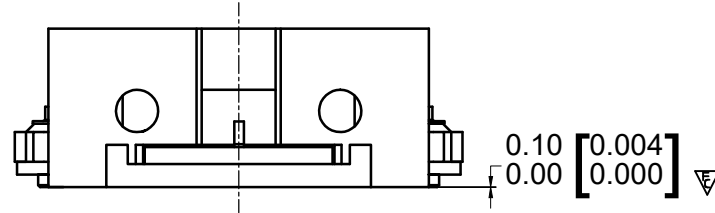
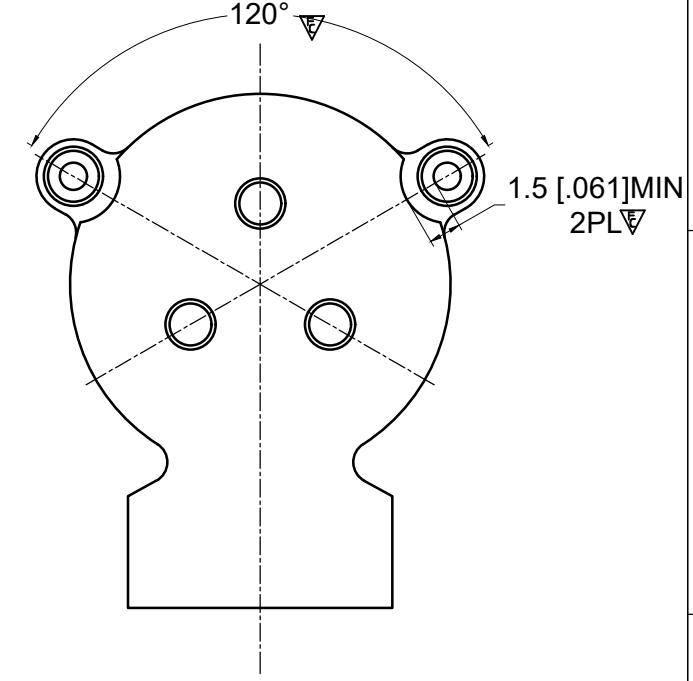
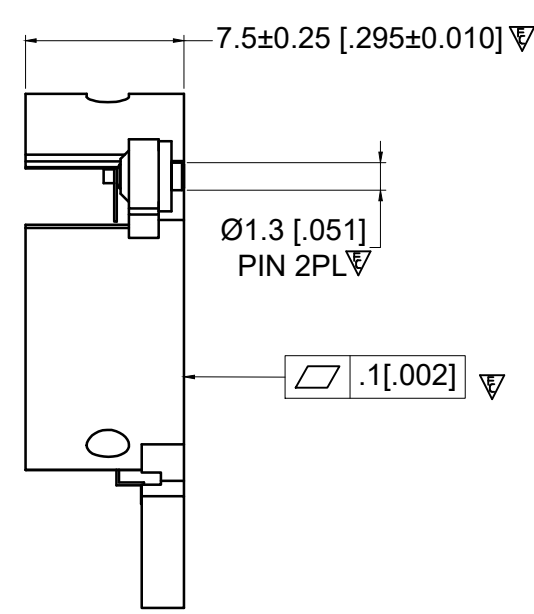
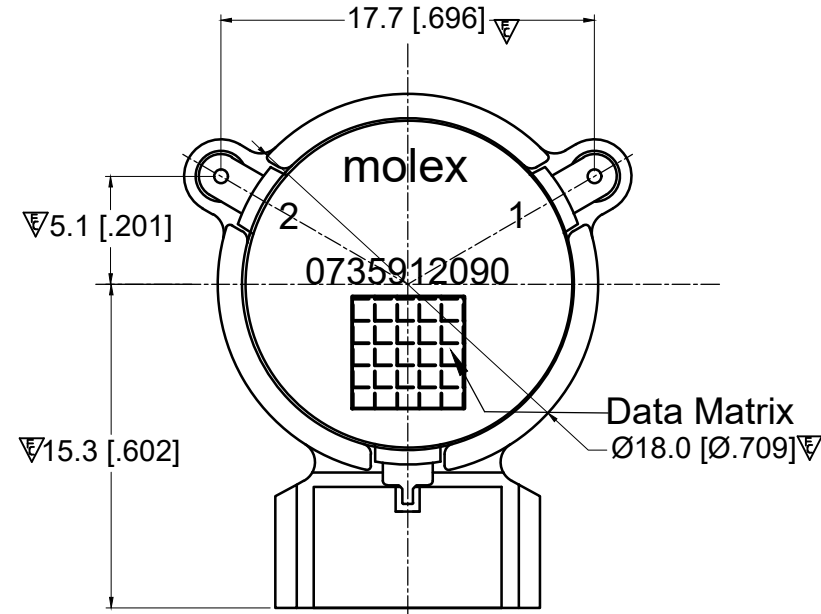
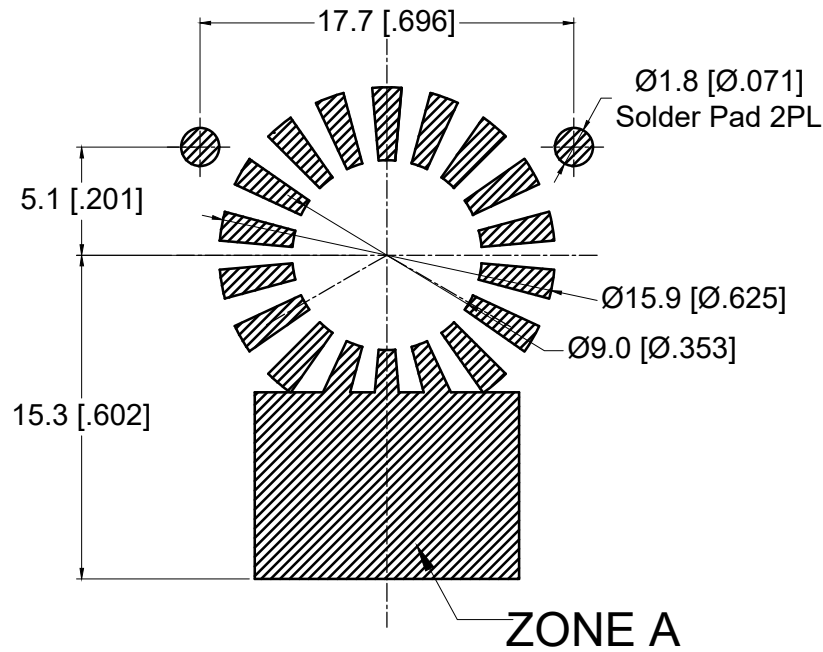


RECOMMENDED LAND PATTERN :

Zone A must be attached to heat sink. Thermal conductivity of intermediate layers between Zone A and heat sink must be better than 0.1 W / [°C x mm].



PCB MATERIAL:ROGERS 4350B 20MIL

ELECTRICAL SPECIFICATION :

- Frequency Range : 2620 to 2690 MHz
- Isolation : 28 dB Min
- Insertion Loss : 0.18 dB Max
- FWD Power : 150W (CW)
- Peak Power : 1000 W
- REV Power : 60 W
- Return Loss : 25 dB Min
- IMD (2 x 65 W, 1 MHz space) : -70 dBc Max
- 2nd Harmonics : 10 dBc
- 3rd Harmonics : 5 dBc
- Operating Temperature : -40°C to +120°C
- +120°C to +130°C : power capacity and reliability no change , other spec.reduce 10%
- Storage Temperature : -40°C to +130°C
- Direction : CCW

BODY: CARBON STEEL, SILVER PLATED

RIGID PINS: COPPER, SILVER PLATED

NOTES:

1. STANDARD INPUT/OUTPUT IMPEDANCE 50 Ohm
2. LEAD FREE, NO Nd MATERIAL, BeO FREE
3. THE DIMENSION OF THE DATA MATRIX IS 5.3MM*5.3MM, INFORMATION INCLUDED WORK ORDER NUMBER-SERIAL NUMBER-MATERIAL NUMBER
4. THIS PART COMPLIES WITH ALL ROHS REQUIREMENTS.

ENG PART#: 811-262-269-WC140

| | | | | | | | | | | |
|---|---------------------------------------|--------|--|---------------------------|-----------------|----------|--------------|--|--|--|
| THIS DRAWING CONTAINS INFORMATION THAT IS PROPRIETARY TO MOLEX ELECTRONIC TECHNOLOGIES, LLC AND SHOULD NOT BE USED WITHOUT WRITTEN PERMISSION | | | | | | | | | | |
| FUNCTIONAL SYMBOLS | DIMENSION UNITS | SCALE | CURRENT REV DESC: | | | | | | | |
| | MM | 1:1 | RELEASE TO PROD | | | | | | | |
| DIVISIONAL SYMBOLS | GENERAL TOLERANCES (UNLESS SPECIFIED) | | EC NO: 696580 | | | | | | | |
| | | mm | INCH | DRWN: SREN05 2022/02/21 | | | | | | |
| | 4 PLACES | ±0.005 | ±---- | CHK'D: JLI252 2022/02/23 | | | | | | |
| | 3 PLACES | ±0.025 | ±---- | APPR: HWANG186 2022/03/01 | | | | | | |
| | 2 PLACES | ±0.13 | ±---- | INITIAL REVISION: | | | | | | |
| | 1 PLACE | ±0.25 | ±---- | DRWN: SREN05 2021/12/09 | | | | | | |
| | 0 PLACES | ±0.4 | ±---- | APPR: HWANG186 2022/03/01 | | | | | | |
| | ANGULAR TOL ± 1.5 ° | | DRAFT WHERE APPLICABLE MUST REMAIN WITHIN DIMENSIONS | | | | | | | |
| | THIRD ANGLE PROJECTION | | DRAWING | SERIES | MATERIAL NUMBER | CUSTOMER | SHEET NUMBER | | | |
| | A3-SIZE | | 73591 | 0735912090 | CUSTOM PART | 1 OF 1 | | | | |

molex

SMSJ ISOLATOR/2620~2690MHZ/CCW

RESTRICTED PRODUCT CUSTOMER DRAWING

DOCUMENT NUMBER: 735912090, DOC TYPE: PSD, DOC PART: 000, REVISION: A