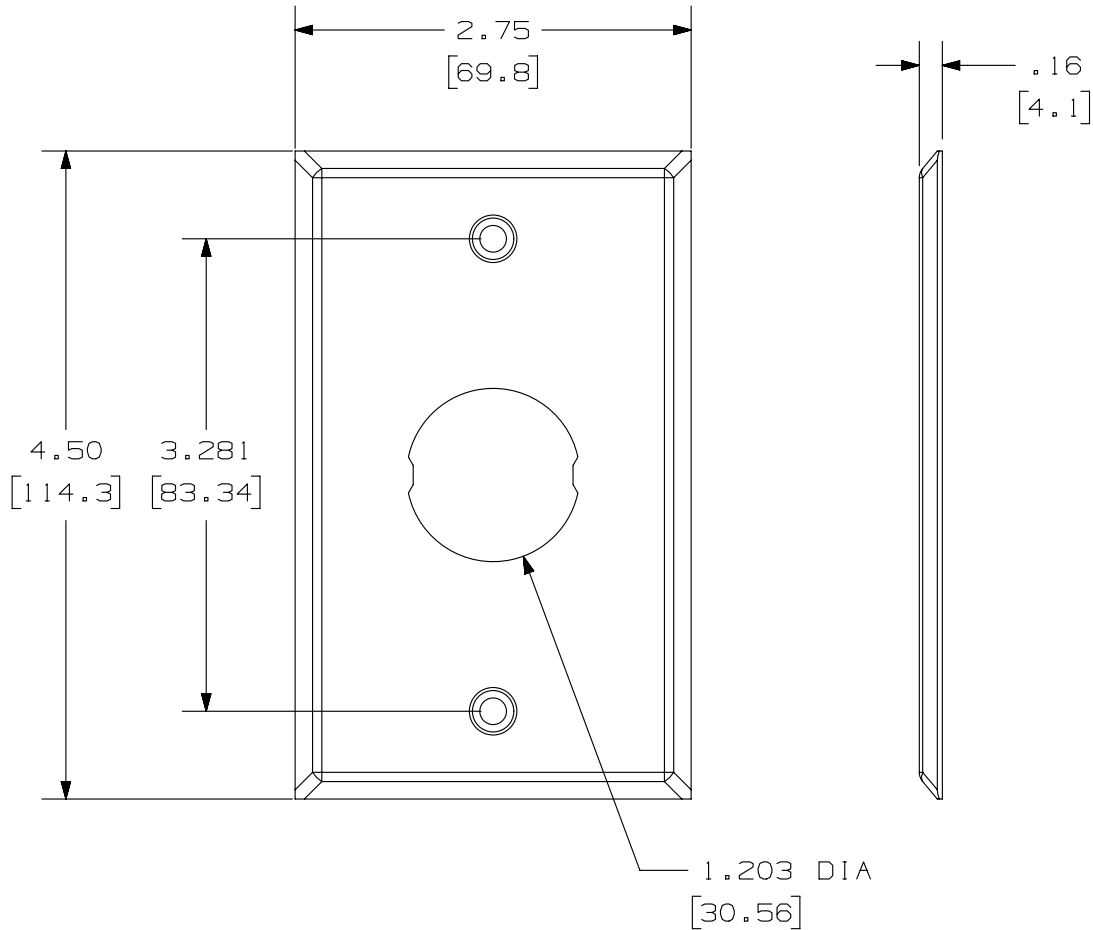


THIS COPY IS PROVIDED ON A RESTRICTED BASIS AND IS NOT TO BE USED IN ANY WAY DETRIMENTAL TO THE INTERESTS OF PANDUIT CORP.



| PANDUIT P/N | WEIGHT |
|-------------|------------------------------------|
| IAEFP1 | 1.22 LB/10 PCS (552.5 g/10 PCS) |

NOTES:

- SEE CURRENT CATALOG FOR ADDITIONAL PART NUMBER SUFFIXES TO INDICATE COLOR AND OR PACKAGE QUANTITY.
- SEE CATALOG FOR COMPLETE LIST OF PARTS APPLICABLE FOR USE WITH THIS PART.
- DIMENSIONS IN PARENTHESES ARE IN METRIC.
- PART INCLUDES:
2- MOUNTING SCREW WITH RUBBER O-RING
1- FACEPLATE
1- FACEPLATE GASKET

| | | | |
|---|------------------------|--------------------------------------|----------------|
| PART NUMBER | | SEE CHART | |
| TITLE | | INDUSTRIALNET 1 POSITION | |
| | | CUSTOMER DRAWING | |
| ITEM REVISION NAME | | M00741LK/00 | PANDUIT |
| DATASET FILE NAME | | M00741LK_DC/00B | |
| UNLESS OTHERWISE SPECIFIED, DIMENSIONAL TOLERANCES ARE: IN [mm] | | MATERIAL: | |
| .x ± .xx ± .03 [.8] | | FACEPLATE: 304 S.S GASKET: RUBBER | |
| .xxx ± .010 [.3] | | DRAWING NUMBER: | |
| ANGLES ± | | 00741 - 98 | |
| THIRD ANGLE PROJECTION | | SHT 1 OF 1 | |
| DRAWN BY | DATE | CHK | SCALE |
| JSP | 6-13-06 | JCO | NONE |
| REV | DATE | BY | CHK |
| 01 | 5-17-14 | TA | REFR |
| R | 6-13-06 | JSP | JCO |
| APR | DESCRIPTION | | ECN |
| | REVISED TITLE BLOCK | | 00741-98 |
| | RELEASED TO PRODUCTION | | 00741-98 |
| | | | |

D10100DA/14