

THIS DRAWING IS UNPUBLISHED.

RELEASED FOR PUBLICATION

20

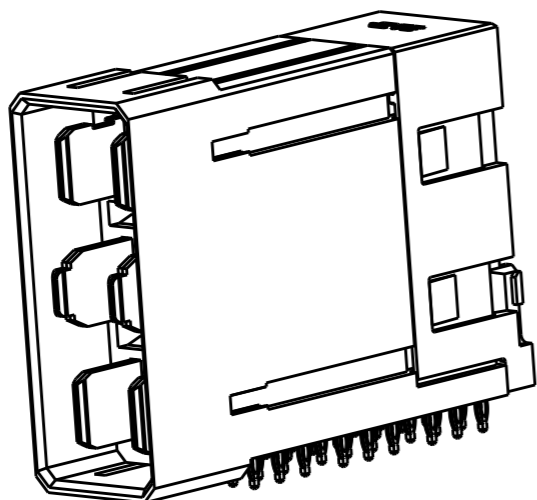
© COPYRIGHT 20 TE CONNECTIVITY

ALL RIGHTS RESERVED.

LOC GP DIST 00

REVISIONS

P	LTR	DESCRIPTION	DATE	DWN	APVD
	1	DRAFT	30AUG2012	LW	SY



NOTES:

1. MATERIALS:
 HOUSING: HIGH TEMP. THERMOPLASTIC GLASS/MINERAL FILLED UL94V-0
 TERMINAL: COPPER ALLOY

2. FINISH:
 TIN OPTION-0.76um MIN GOLD AT CONTACT AREA AND
 1.27um MIN NICKEL UNDERPLATED OVER ALL
 2.54um TIN AT SOLDER TAIL AREA
 TIN-LEAD OPTION-0.76um MIN GOLD AT CONTACT AREA AND
 1.27um MIN NICKEL UNDERPLATED OVER ALL
 2.54um TIN-LEAD AT SOLDER TAIL AREA

3. REFER TO TE'S PRODUCT SPECIFICATION: 108-2473
 FOR PLATED THROUGH-HOLE SPECIFICATION AND TORQUE FORCE

4. CONNECTOR WERE PACKED BY TRAY
 REFER TO TE'S PACKAGING SPECIFICATION: 107-***

5. MATED WITH *-2169862-*

6. LASER MARK PART NUMBER AND DATE CODE (YYWWDS)
 CAN BE AT THE OPPOSITE SIDE

7. KEEP OUT ZONE FROM OTHER COMPONENT

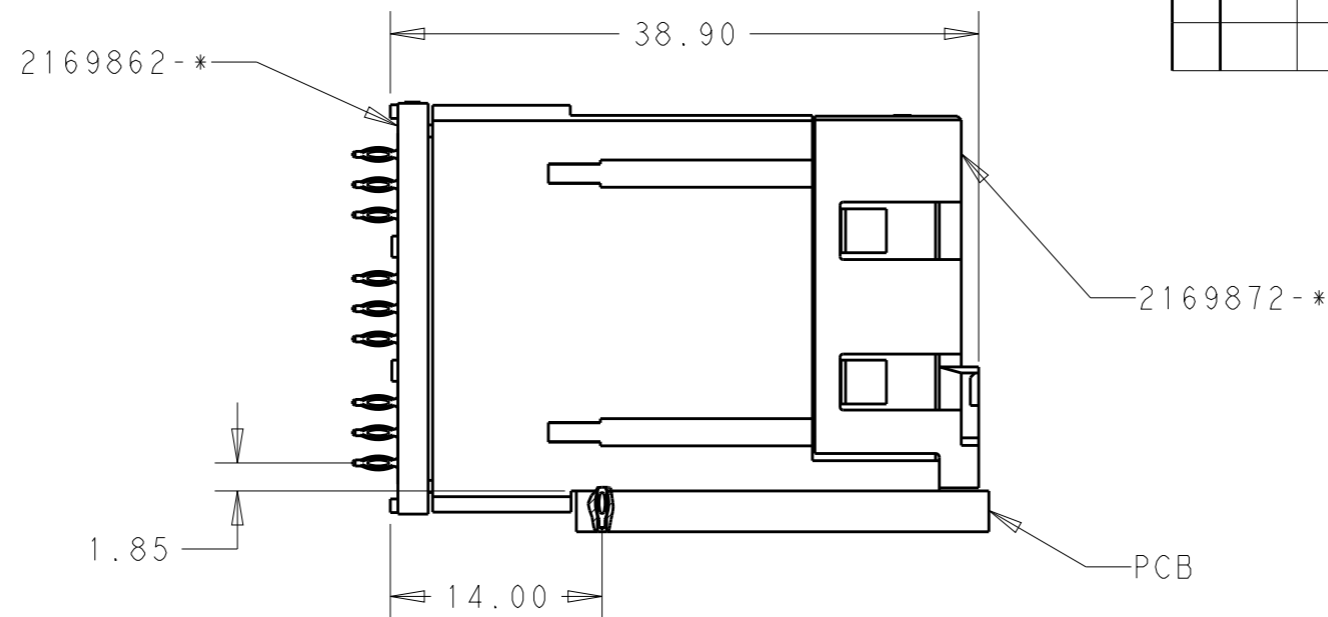
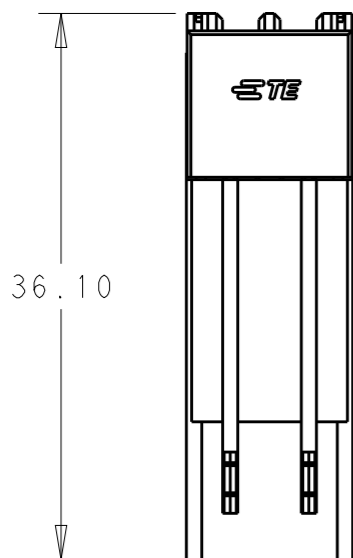
PACKAGING	PLATING TYP	P3	P2	P1	PART NUMBER
TRAY	NIT	6.90	6.90	5.70	2169872-8
		5.70	5.70	6.90	2169872-7
		6.90	5.70	5.70	2169872-6
		6.90	6.90	6.90	2169872-5
		6.90	6.90	5.70	2169872-4
		5.70	5.70	6.90	2169872-3
		6.90	5.70	5.70	2169872-2
		6.90	6.90	6.90	2169872-1

THIS PRINT IS
PRELIMINARY
 UNQUALIFIED PRODUCT
 CONTACT PRODUCT ENGINEERING
 BEFORE USING THIS PRINT

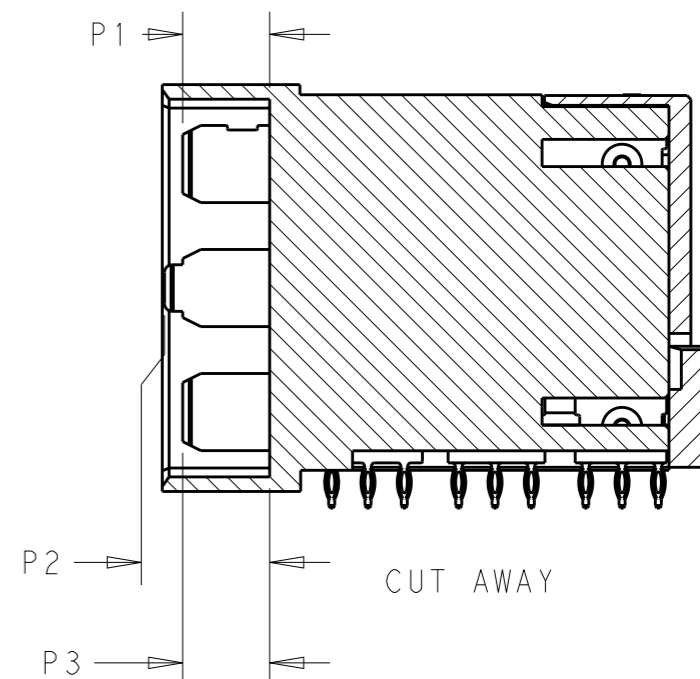
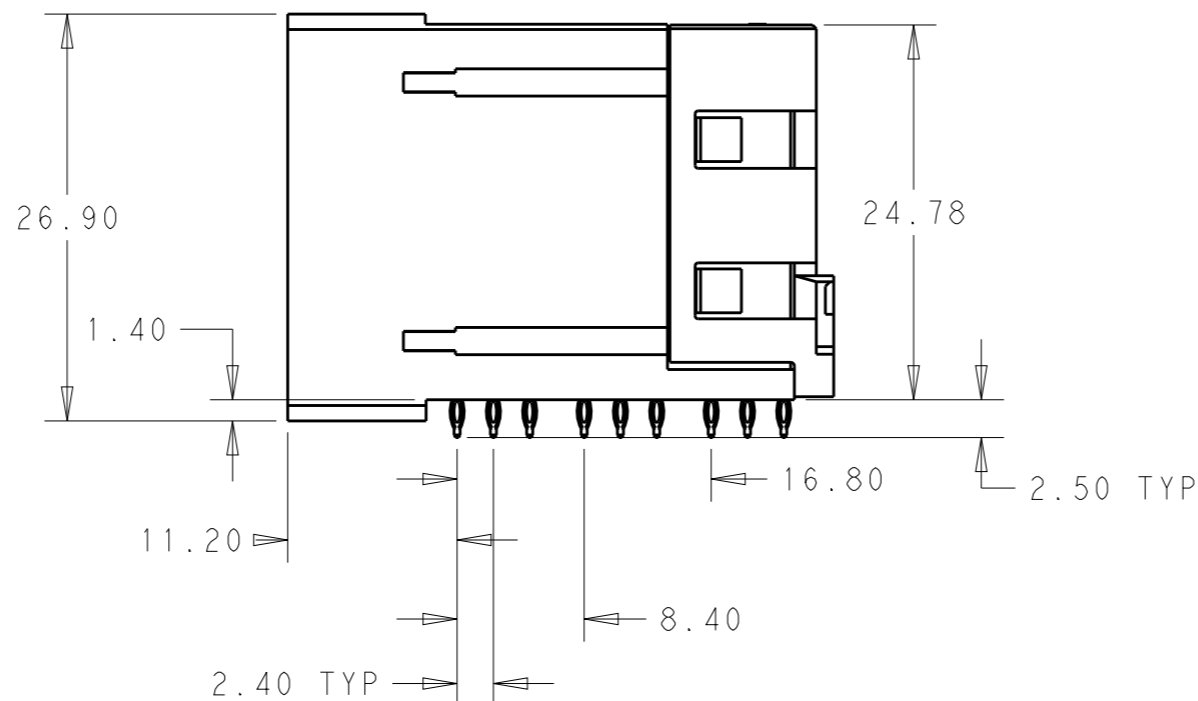
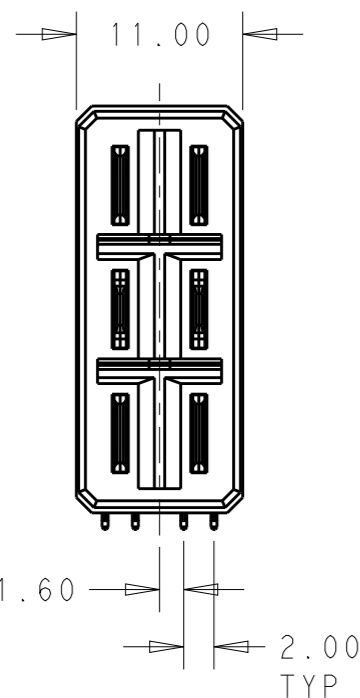
THIS DRAWING IS A CONTROLLED DOCUMENT.		DWN L. WANG 30AUG2012		
DIMENSIONS: mm		CHK S. YAN 30AUG2012		
TOLERANCES UNLESS OTHERWISE SPECIFIED:		APVD A. CAI 30AUG2012	NAME	
0 PLC ±--		PRODUCT SPEC 108-2473	IMPACT POWER 6 PAIR	
1 PLC ±--		APPLICATION SPEC 114-32028	RIGHT ANGLE HEADER	
2 PLC ±0.25		WEIGHT -	SIZE A3	CAGE CODE 00779
3 PLC ±--		Customer Drawing	DRAWING NO	RESTRICTED TO
4 PLC ±--			©=2169872	
ANGLES ±3°			SCALE 1:1	SHEET 1 OF 3
FINISH			REV 1	


THIS DRAWING IS UNPUBLISHED. RELEASED FOR PUBLICATION 20
 © COPYRIGHT 20 TE CONNECTIVITY ALL RIGHTS RESERVED.

LOC	DIST	REVISIONS			
P	LTR	DESCRIPTION	DATE	DWN	APVD
GP	00	SEE SHEET 1	-	-	-



MATED SYSTEM WITH 2169872



THIS DRAWING IS A CONTROLLED DOCUMENT.		DWN L. WANG 30AUG2012	 TE Connectivity	NAME IMPACT POWER 6 PAIR RIGHT ANGLE HEADER PRESS-FIT
DIMENSIONS: mm		CHK S. YAN 30AUG2012		
TOLERANCES UNLESS OTHERWISE SPECIFIED:		APVD A. CAI 30AUG2012		
0 PLC ±-- 1 PLC ±-- 2 PLC ±0.25 3 PLC ±-- 4 PLC ±-- ANGLES ±3°		PRODUCT SPEC 108-2473		
MATERIAL		APPLICATION SPEC 114-32028	SIZE A3	CAGE CODE 00779
FINISH		WEIGHT -	DRAWING NO C-2169872	RESTRICTED TO -
Customer Drawing			SCALE 1:1	SHEET 2 OF 3
			REV 1	

4

3

2

1

THIS DRAWING IS UNPUBLISHED.

RELEASED FOR PUBLICATION

20

© COPYRIGHT 20

TE CONNECTIVITY

ALL RIGHTS RESERVED.

LOC
GPDIST
00

REVISIONS

P	LTR	DESCRIPTION	DATE	DWN	APVD
-	-	SEE SHEET 1	-	-	-

CONNECTOR WITH PCB

RECOMMENDED PCB LAYOUT
(COMPONENT SIDE SHOWN)
MINIMUM BOARD THICKNESS: 1.60MM

THIS DRAWING IS A CONTROLLED DOCUMENT.

DWN 30AUG2012

L. WANG

CHK 30AUG2012

S. YAN

APVD 30AUG2012

A. CAI

PRODUCT SPEC

108-2473

APPLICATION SPEC

114-32028

WEIGHT

-

TE Connectivity

NAME

IMPACT POWER 6 PAIR
RIGHT ANGLE HEADER
PRESS-FIT

SIZE

CAGE CODE

DRAWING NO

RESTRICTED TO

A3

00779

C-2169872

-

DIMENSIONS:

mm

TOLERANCES UNLESS OTHERWISE SPECIFIED:

0 PLC	±.05
1 PLC	±.05
2 PLC	±0.25
3 PLC	±.05
4 PLC	±.05
ANGLES	±3°

MATERIAL

FINISH

Customer Drawing

SCALE 1:1

SHEET 3 OF 3

REV 1

1470-19 (3/11)