

APPLICATION

“bun THERMO THERMOWELL” is a temperature recorder and alarm system with an external sensor designed for installation in the fluids stream. It is powered by 2 replaceable AA batteries for up to 6 years and connects directly to Wi-Fi.

More than an accurate meter and a reliable logger, “bun THERMOWELL” is also a cloud-based alarm system.

All setting parameters like measurement intervals, upload intervals, minimum and maximum allowed temperature thresholds can be set through a web-based application on any platform. It sends out email and text message alarms as soon as temperature exceeds or falls below pre-set limits. It also provides access to the records history, graphs and periodical reports. It can be used for monitoring HVAC systems, boilers, water heaters, chillers, food or medicine processing facilities, etc.



GENERAL SPECIFICATIONS

Sensor	Temperature
Temperature measurement and alarm range (Sensor only)	°C -55 to +125
	°F -67 to +257
Upload temperature range*	°C -5 to +70
	°F 20 to +160
Temperature measurement accuracy	°C ± 0.5 (± 0.9 °F)
Power supply	2 x AA replaceable batteries
Sensor's protection class	IP 67
Compliances	IEEE 802.3, EN 61326-1, EN 61010, EN 12830, FCCID: 2AHMR-ESP12F, CE, ROHS, HACCP
Battery life*	Up to 6 years
Upload intervals	One hour to once a week (or on demand)
Record intervals	1 minute to 120 minutes (down 2 sec. by order)
Interface	Wi-Fi - IEEE 802.3 – 2.4 GHz
Max. number of internal records	16,384 – Automatic cloud sync and replace
Probes	Stainless steel - ½" Thread - ¾" to 12" length

*Upload temperature range is the ambient condition required for the device to stay fully operational. These operations include being able to connect and sync with the cloud and send out alarms. However, the device can continue recording the data in its internal memory while in temperature measurement range.

*Depends on reading and upload intervals and environmental conditions. Battery life is more than 6 years in a standard set up. (Standard set up is room temperature 20°C measurement every 15 minutes upload every 48 hours).

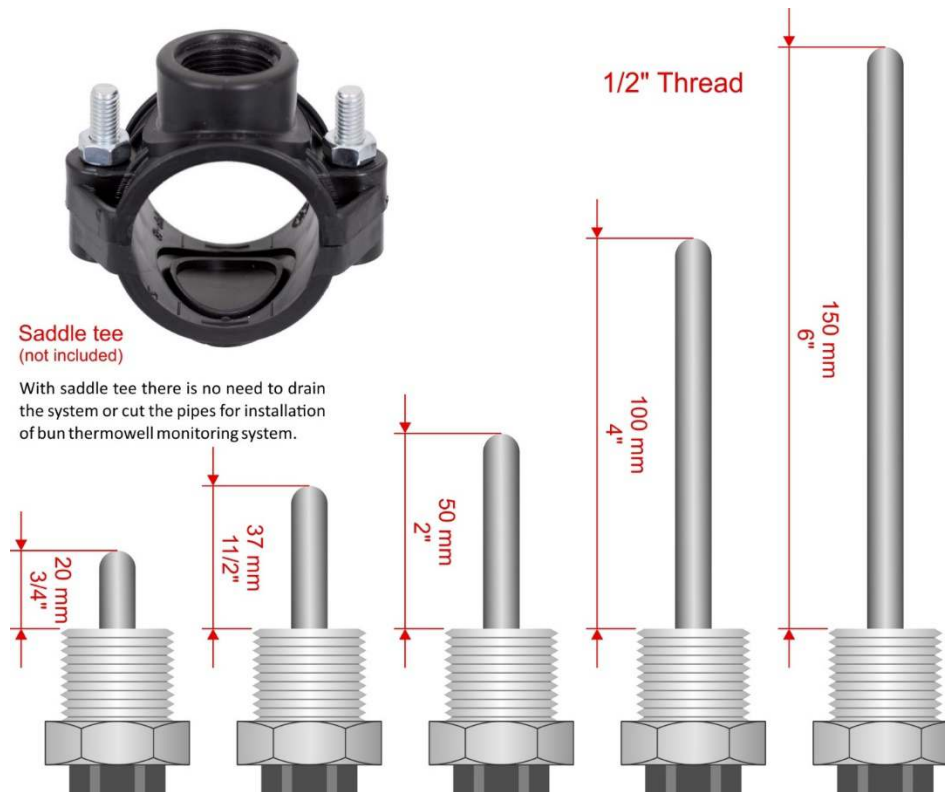
AMBIENT CONDITIONS

Storage temperature	°C	-25 to +75
---------------------	----	------------

DIMENSIONS

Diameter (max.)	L	mm	80.0
Height (max.)	H	mm	34.5

INSTALLATION ACCESSORIES AND PROBE VARIETIES



Loggerflex smart devices Ltd.
2- 3304, Cambie St.
Vancouver, BC
V5Z 2W5
Canada

info@Loggerflex.com
www.loggerflex.com

Tel.: (604) 210 22 42
Toll free: +1 888 365 88 80



Made in Canada

THERMOWELL – 2020-01-02 - EN

LoggerFlex
smart devices