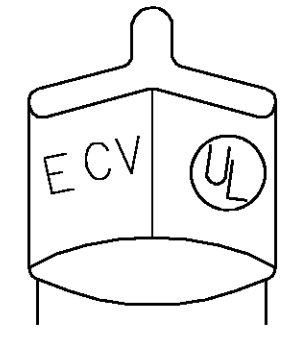
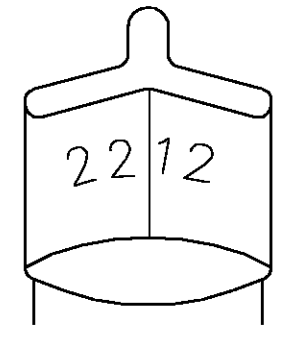
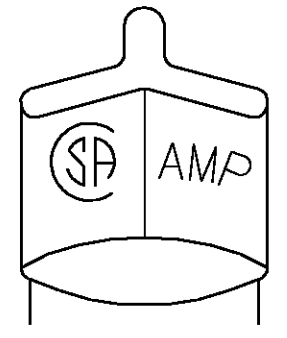


THIS DRAWING IS UNPUBLISHED. RELEASED FOR PUBLICATION
 © COPYRIGHT BY TYCO ELECTRONICS CORPORATION. ALL RIGHTS RESERVED.

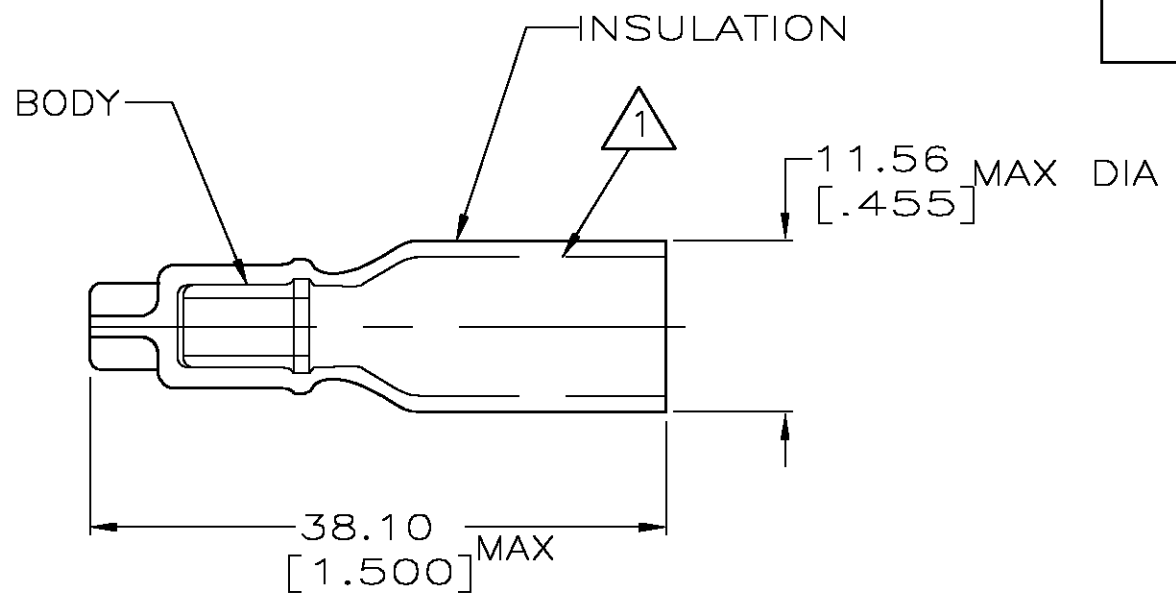
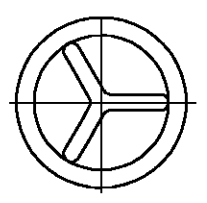
LOC	DIST	REVISIONS					
		P	LTR	DESCRIPTION	DATE	DWN	APVD
G	14		L	REV PER 0G3A-0256-04	08APR04	JR	TM



STAMPING DETAIL

- △1 FOR9.14 [.360] MAX WIRE INSULATION DIA.
- △2 SUPERSEDED BY 53234-1
- △3 MATERIAL: BODY; COPPER PER ASTM B152 INSULATION; PVC COLOR: TRANSLUCENT
- △4 FINISH: BODY; TIN PLATE PER ASTM B545

AMP WIRE RANGE	Listed	LR7189 Certified
22-12 AWG STRANDED	22-12 AWG STRANDED	22-12 AWG STRANDED



100	LOOSE PC, BOX	8-53234-1 △2
250	LOOSE PIECE	53234-1
QTY	DESCRIPTION	PART NO

AMP INCORPORATED CUSTOMER SERVICE SYSTEMS		MAX RECOMMENDED OPERATING TEMPERATURE: 105° C MAX	THIS DRAWING IS A CONTROLLED DOCUMENT.		DWN G KRUPER 1/15/93 CHK R HERSEY 1/15/93 APVD M ELLIS 1/15/93	Tyco Electronics Corporation Harrisburg, PA 17105			
FOR ADDITIONAL PRODUCT INFORMATION OR COPIES OF DRAWINGS AND TECHNICAL DOCUMENTS PRODUCT INFORMATION CENTER 1-800-522-6752	FOR APPLICATION TOOLING ASSISTANCE CENTER TOOLING INFORMATION 1-800-722-1111	VOLTAGE RATING: 600V MAX (BUILDING WIRING) 1000V MAX (FIXTURES & SIGNS)	DIMENSIONS: mm [INCHES]	TOLERANCES UNLESS OTHERWISE SPECIFIED: 0 PLC ± - 1 PLC ± - 2 PLC ± 0.20 [.008] 3 PLC ± - 4 PLC ± - ANGLES ± -	NAME SPLICE, CLOSED END, WIRE SIZE, 22-12 AWG			SIZE CAGE CODE DRAWING NO RESTRICTED TO A3 00779 C-53234 -	
FOR ORDER ENTRY 1-800-526-5142	THIS DRAWING IS A CONTROLLED DOCUMENT FOR AMP INCORPORATED. IT IS SUBJECT TO CHANGE AND THE CONTROLLING ENGINEERING ORGANIZATION SHOULD BE CONTACTED FOR THE LATEST REVISION.		MATERIAL - △3	FINISH - △4	WEIGHT -			CUSTOMER DRAWING SCALE 2:1 SHEET 1 OF 1 REV L	