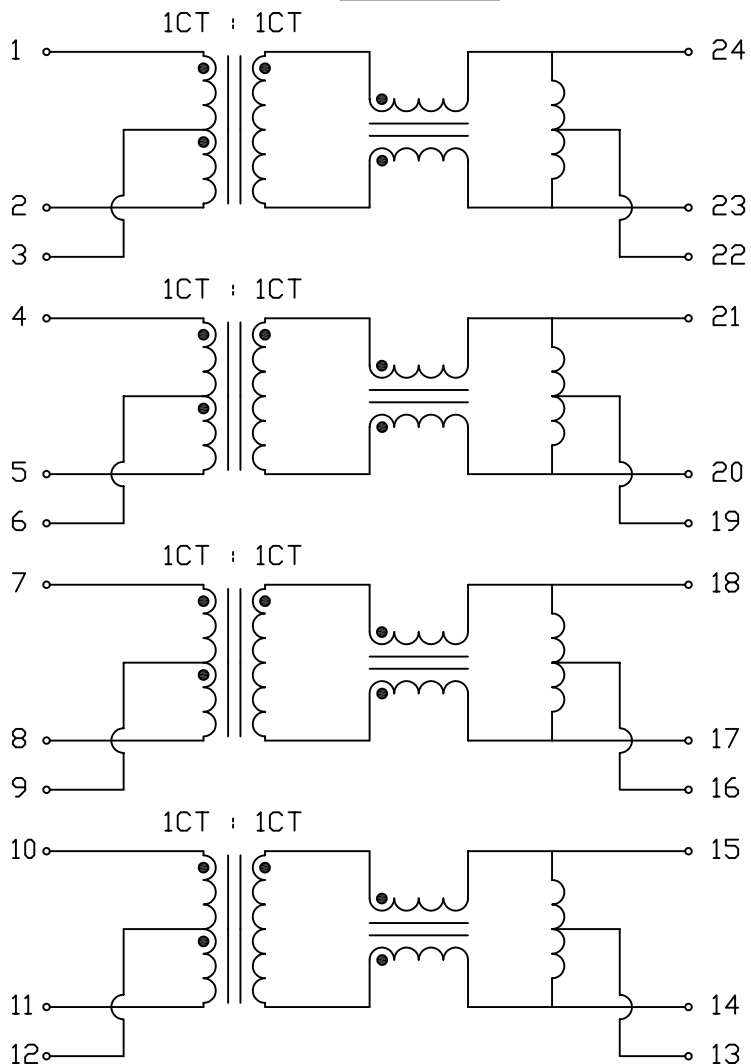


THE INFORMATION CONTAINED HEREIN IS CONSIDERED 'PROPRIETARY' TO BEL FUSE INC. AND SHALL NOT BE COPIED, REPRODUCED OR DISCLOSED WITHOUT THE WRITTEN APPROVAL OF BEL FUSE INC.



SCHEMATIC

ELECTRICAL SPECEIFICATIONS @25°C



URNS RATIO	1CT : 1CT
PHASE	1 TO 24, 4 TO 21, 7 TO 18, 10 TO 15 IN PHASE
□CL :	350uH MIN. AT 100kHz, 100mV (1-2), (4-5), (7-8), (10-11) WITH 8mA DC BIAS, FROM 0 -70°C
INSERTION LOSS	1.0 dB MAX. @ 1 TO 100MHZ 1.5 dB MAX. @ 125MHZ
RETURN LOSS	18dB MIN. @ 1-30MHZ MEASURED UNDER A 100 Ω I/O 15dB MIN. @ 60MHZ 12dB MIN. @ 80MHZ 10dB MIN. @ 100MHZ
CROSSTALK	10-100 MHz 35 dB MIN.
COMMON TO COMMON REJECTION	30 dB MIN. AT 100kHz TO 155MHZ
HIPOT	PER HAND-WORK-03

REV. : B PAGE : 2

ORIGINATED BY	DATE	TITLE  ELECTRICAL SPECIFICATION S558-5999-AN-F
Alice Pang	2015-04-07	
DRAWN BY	DATE	
ZC Guo	2015-04-07	

PART NO. / DRAWING NO.	X5585999AN-F
FILE NAME	X5585999ANFB.DWG

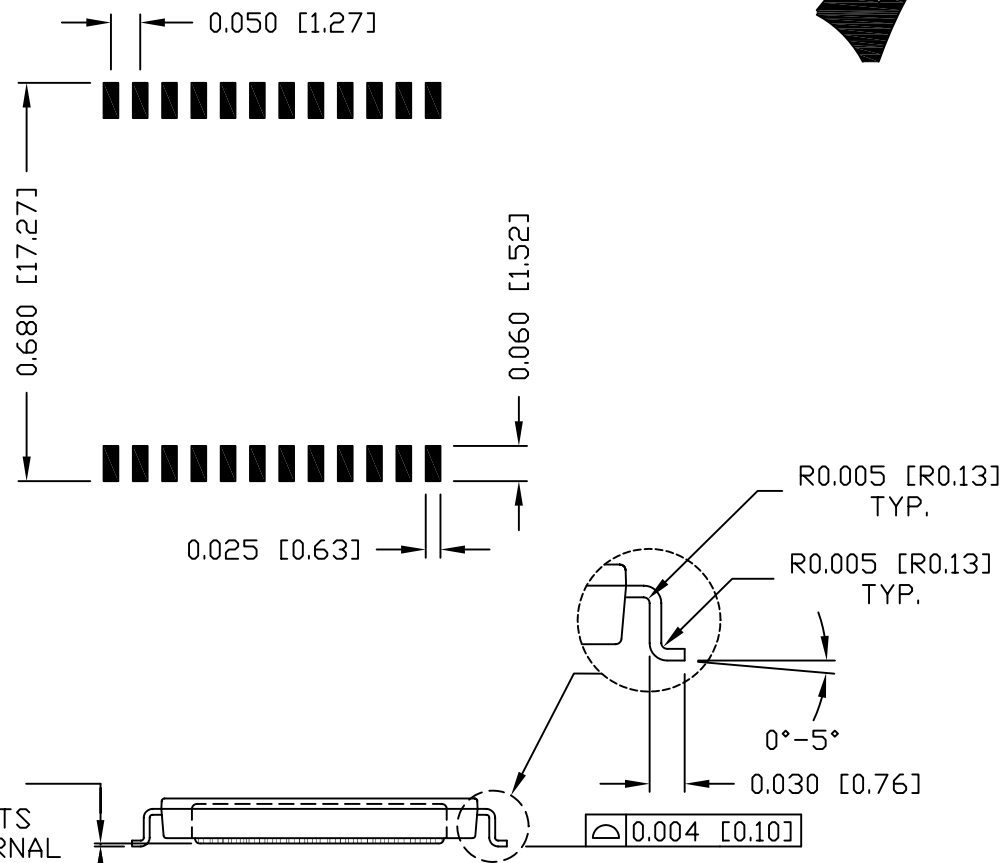
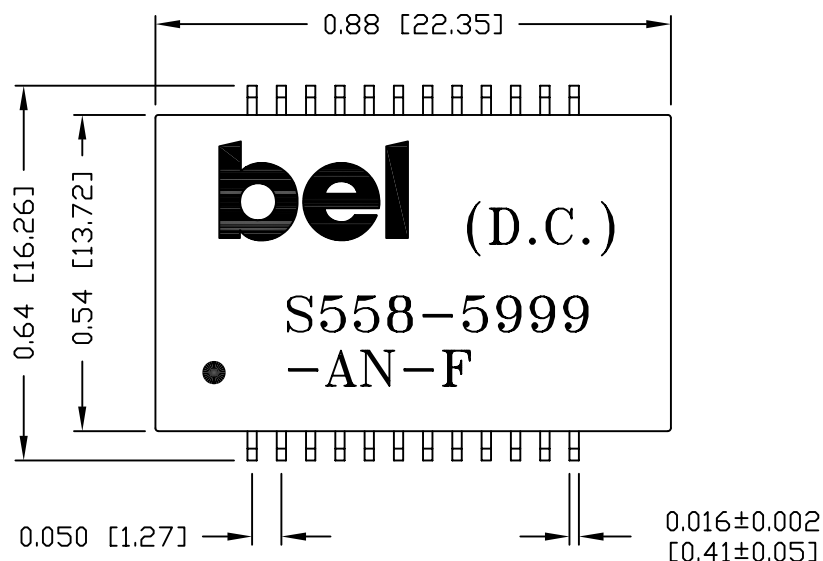
STANDARD DIM.	[ ] METRIC DIM. AS REF.
TOL. IN INCH	UNIT : INCH [mm]
.X	SCALE : N/A
.XX	SIZE : A4
.XXX	



THE INFORMATION CONTAINED HEREIN IS CONSIDERED "PROPRIETARY" TO BEL FUSE INC. AND SHALL NOT BE COPIED, REPRODUCED OR DISCLOSED WITHOUT THE WRITTEN APPROVAL OF BEL FUSE INC.

SUGGESTED PCB PAD LAYOUT

RoHS



BETWEEN COMPONENTS AND INTERNAL LEADS TO SEATING PLANE WITH 0.002" MIN CLEARANCE

NOTES:

- STANDARD MARKING REFER TO DOC. HAND-WORK-04.
- PACKAGE CODE: "RJS001".

ORIGINATED BY		DATE	TITLE	PART NO. / DRAWING NO.	STANDARD DIM. [ ] METRIC DIM. AS REF.		REV. : B	PAGE : 3	
Lawrence Tsang		2015-04-07	MECHANICAL DRAWING S558-5999-AN-F	X5585999AN-F	TOL. IN INCH		UNIT : INCH [mm]		
DRAWN BY		DATE		FILE NAME	.X	SCALE : N/A		SIZE : A4	
ZC Guo		2015-04-07		X5585999ANFB.DWG	.XX	±0.01			
					.XXX	±0.005			

