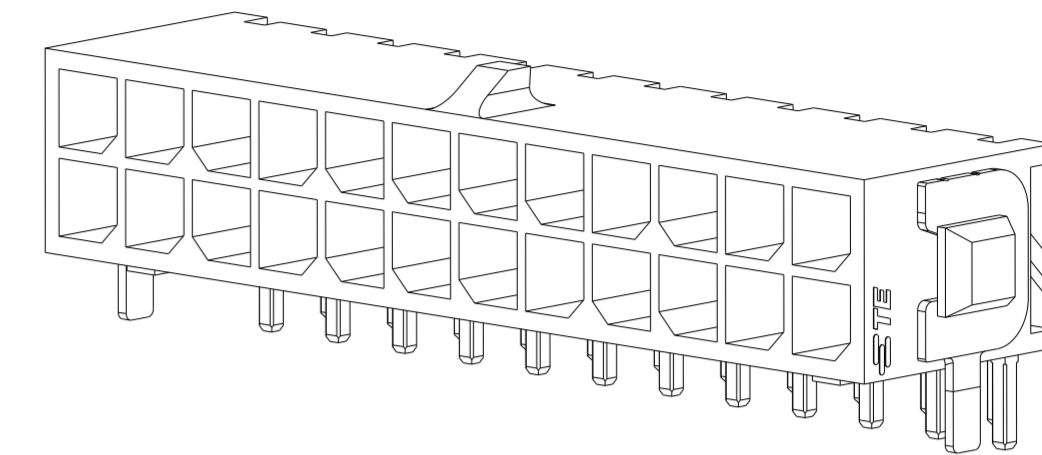
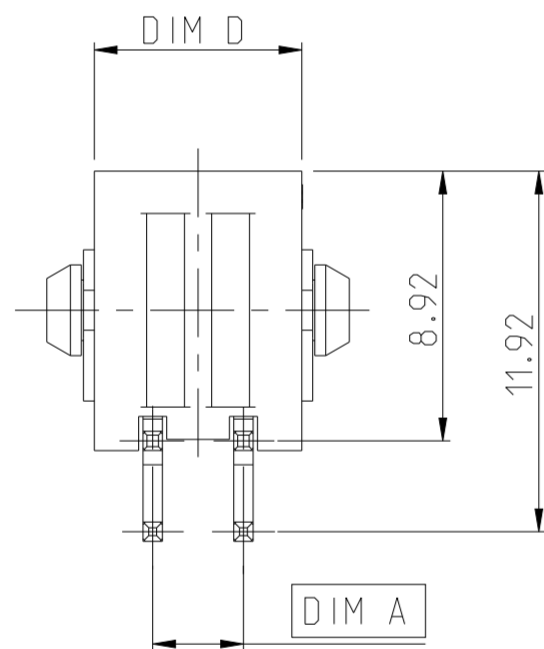
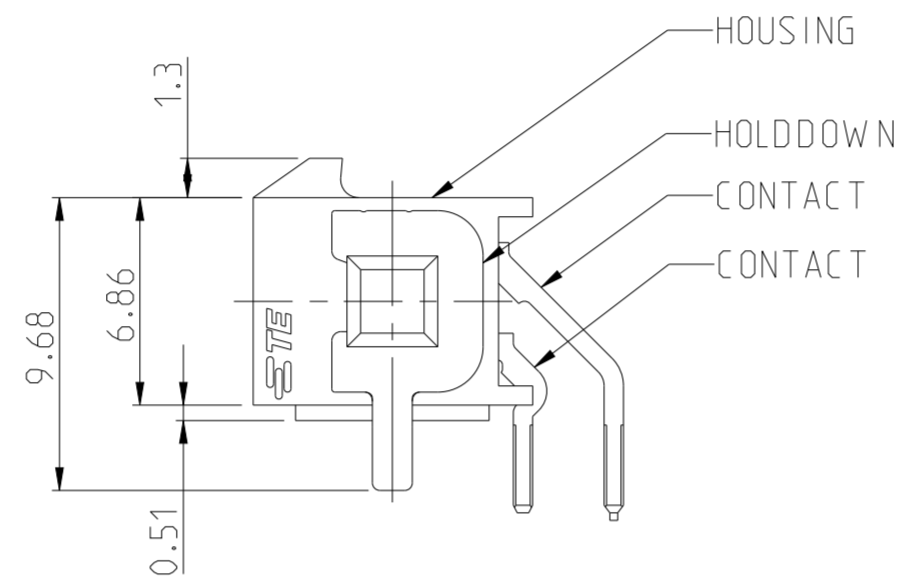
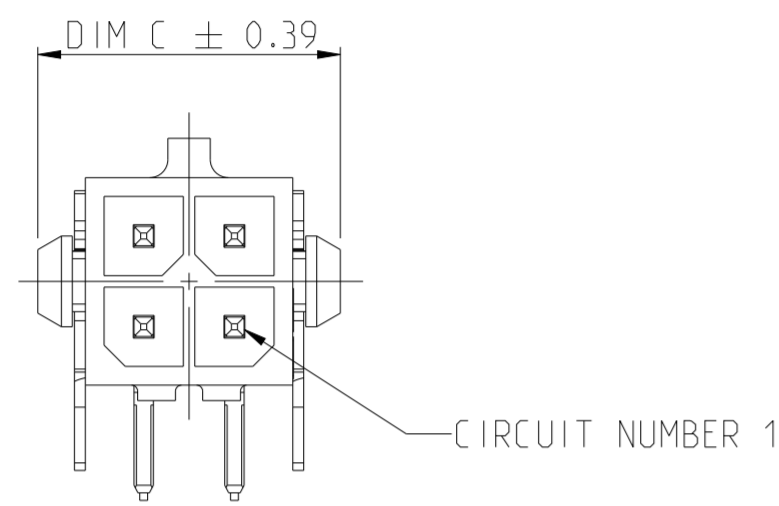


REVISIONS					
P	LTR	DESCRIPTION	DATE	DWN	APVD
B		REVISED PER ECO-15-005484	28JULY2015	SC	DZ
B1		ECO-19-006934	10MAY2019	AP	WS
B2		REVISED PER ECN-22-179646	04NOV2022	WLS	VS



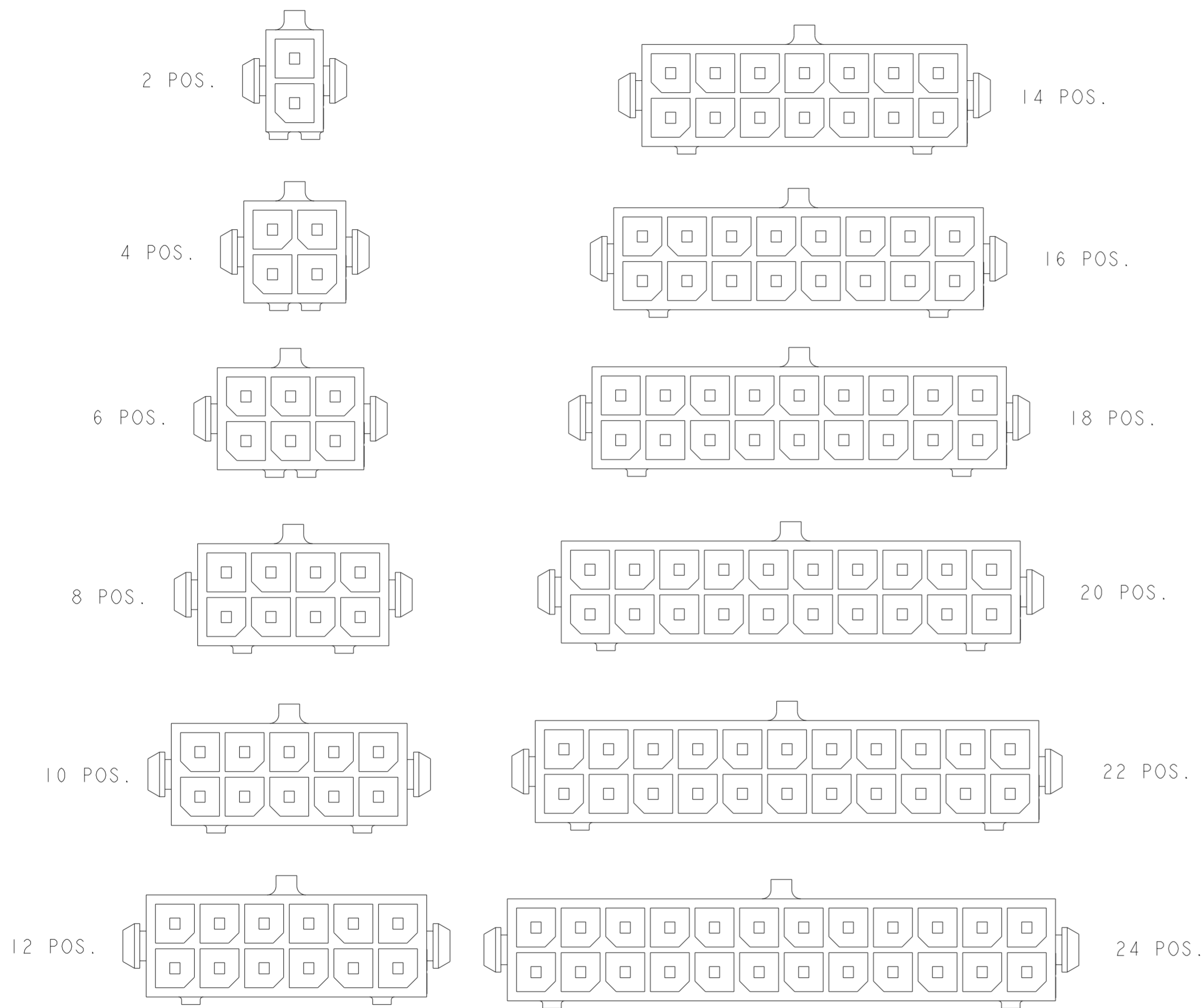
- 1 MATERIAL : HOUSING - UL 94V-0 RATED HIGH TEMP NYLON, COLOR BLACK, CONTACTS - BRASS, HOLDDOWNS - PHOSPHER BRONZE.
- 2 PLATING : CONTACTS - 2.54 μm MINIMUM MATTE TIN OVER 1.27 μm MINIMUM NICKEL, HOLDDOWNS - 2.54 μm MINIMUM MATTE TIN OVER 1.27 μm MINIMUM NICKEL.
- 3 RECOMMENDED PCBOARD THICKNESS TO EN 60249-2-4 TABLE 3 (1.6±0.14).
- 4 COUNTERPART RECOMMENDED IS PN 794617 (DASH ACC. TO NUMBER OF POSITION).
- 5 FOR REELING DIRECTION AND PACKAGING TYPE, SEE SPECIFICATION 114-13000.

36.86	40.0	37.32	33.0	24	5-1740655-4
6.86	10.0	7.32	3.0	4	3-1740655-4
3.86	7.0	4.32	-	2	1740655-4
DIM D	DIM C	DIM B	DIM A	NO OF POS	PART NUMBER

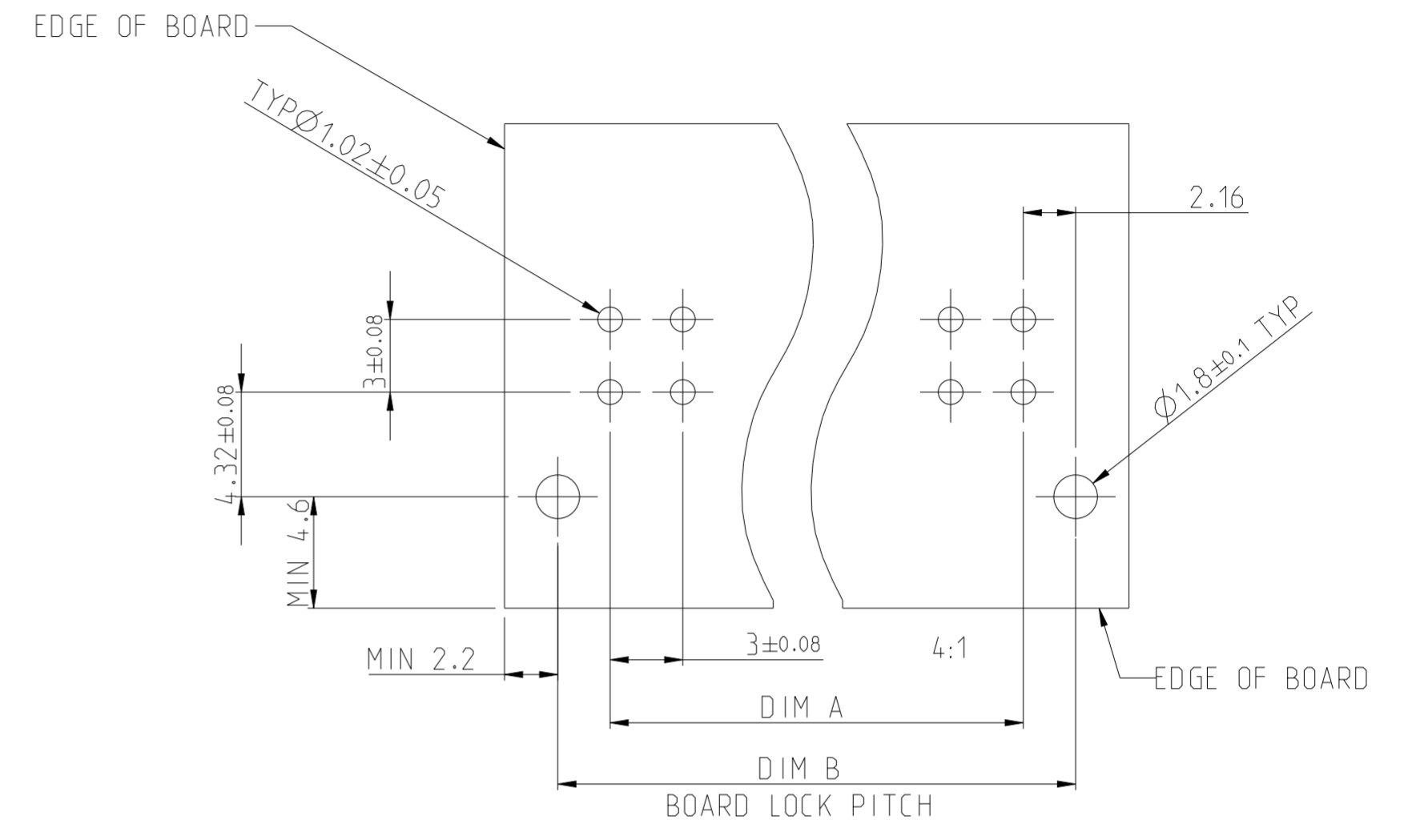
DIMENSIONS:		TOLERANCES UNLESS OTHERWISE SPECIFIED:		APVD		DWN		CHK		NAME	
mm		0 PLC	±	I.GERLACH		26-Apr-06		PRAVEEN		TE Connectivity	
		1 PLC	±	I.GERLACH		26-Apr-06		T.GERLACH		THRU-HOLE,RIGHT ANGLE, TIN HEADER MECHANICAL,BOARDLOCK, DUAL ROW,MICRO MATE-N-LOK	
		2 PLC	±0.2	I.GERLACH		26-Apr-06		T.GERLACH		PRODUCT SPEC	
		3 PLC	±	I.GERLACH		26-Apr-06		T.GERLACH		APPLICATION SPEC	
		4 PLC	±	I.GERLACH		26-Apr-06		T.GERLACH		108-1836	
		ANGLES	±°	I.GERLACH		26-Apr-06		T.GERLACH		114-13000	
		FINISH	±	I.GERLACH		26-Apr-06		T.GERLACH		WEIGHT	
MATERIAL		1		2		A2		-		C-1740655	
CUSTOMER DRAWING		SCALE		4:1		SHEET		1 OF 2		REV B2	

THIS DRAWING IS UNPUBLISHED. RELEASED FOR PUBLICATION 2006  
 © COPYRIGHT copyright\_date BY - ALL RIGHTS RESERVED.

REVISIONS					
P	LTR	DESCRIPTION	DATE	DWN	APVD
-	-	SEE SHEET 1	-	-	-



KEYING BY POSITION SIZE



RECOMMENDED PCB LAYOUT (COMPONENT SIDE)

THIS DRAWING IS A CONTROLLED DOCUMENT.		DWN PRAVEEN 26-Apr-06	TE Connectivity			
		CHK I.GERLACH 26-Apr-06				
		APVD I.GERLACH 26-Apr-06	NAME THRU-HOLE, RIGHT ANGLE, TIN HEADER MECHANICAL, BOARDLOCK, DUAL ROW, MICRO MATE-N-LOK			
DIMENSIONS: mm		PRODUCT SPEC 108-1836	SIZE A2	CAGE CODE -	DRAWING NO. C-1740655	RESTRICTED TO -
TOLERANCES UNLESS OTHERWISE SPECIFIED:		APPLICATION SPEC 114-13000	SCALE 2:1		SHEET 2 OF 2	REV B2
MATERIAL -		WEIGHT -	CUSTOMER DRAWING			
FINISH -						