



C1 MICRO

COMPACT AND LIGHTWEIGHT USB CAMERA WITH M12
LENS MOUNT AND H.264 ON-BOARD ENCODER

DATASHEET



KUROKESU

2021-02-07, Rev. #15

Overview

C1 family camera **C1 MICRO** with Onsemi AR0330 sensor offers h.264/MHPEG/YUYV compressions over USB interface.



Features

- M12 (S-mount) lens mount
- Multiple mounting options (all side walls and top has M3 tapped holes) for machine vision or robotics
- M2 threads for mounting
- Format: 1/3-inch (5.8mm)
- Sensor: Onsemi AR0330
- MJPEG/h.264/YUY2 compression
- 1920x1080 @ 30fps
- UVC compatible
- Sensor pixel size: 2.2 μ m x 2.2 μ m
- Sensor dynamic range: 72.4db
- Sensor sensitivity: 1.9 V/lux-sec (550nm)
- Operation temperature range: -50°C...+65°C
- USB 2.0
- High quality industrial black anodized aluminum case
- Non cropped sensor operation in all resolutions
- Each camera has unique serial number
- RoHS, REACH, CE certified

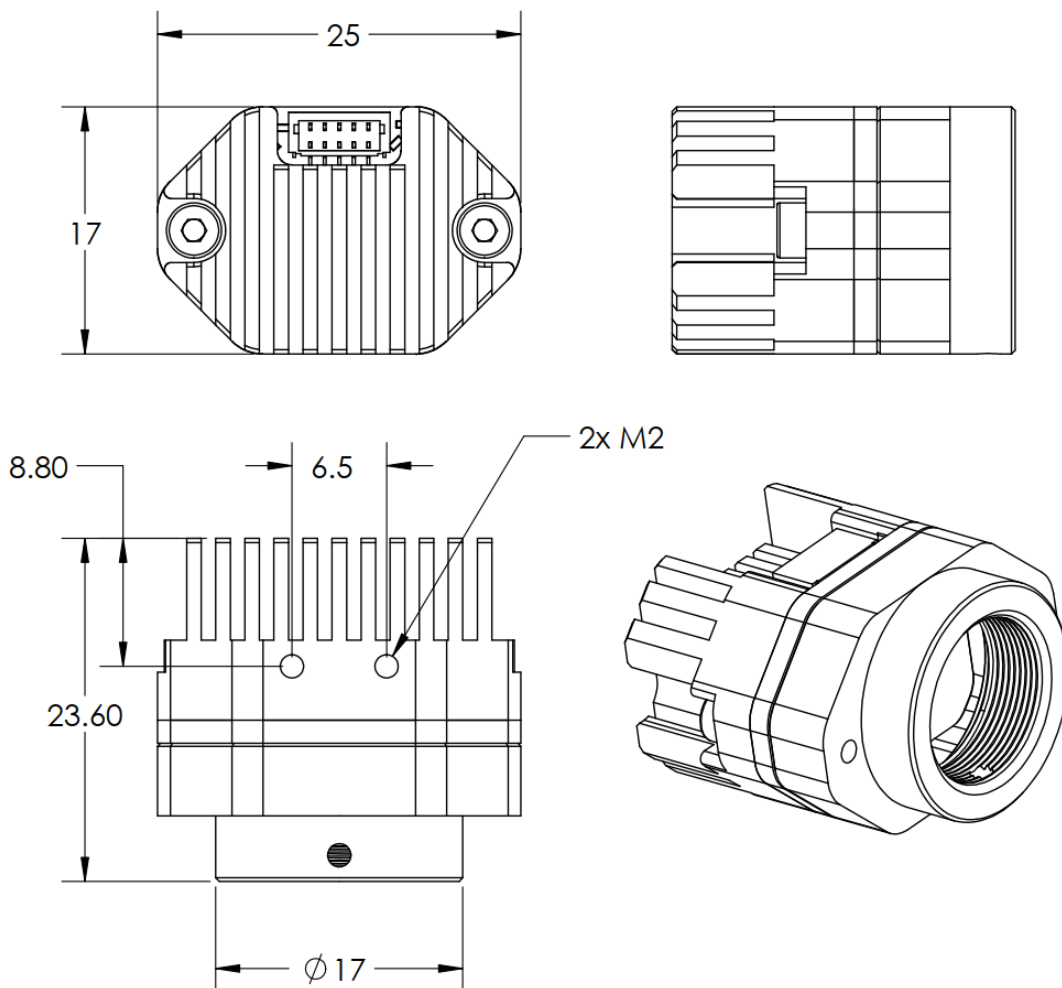
Specifications

Specifications

Pixels	2304H x 1536V
Sensor size	5.07mm x 3.38mm
Shutter	Electronic Rolling Shutter
Sensor pixel size	2.2 μ m x 2.2 μ m
Frame rates	<ul style="list-style-type: none"> • h.264 - 30fps in all modes • MJPG - 30fps in all modes • YUV 4:2:2 (YUYV) <ul style="list-style-type: none"> ◦ 1920x1080 - 5fps ◦ 1280x720 - 10fps ◦ 640x480 - 30fps
Output frame sizes	1920x1080, 1280x720, 640x480, 640x360, 320x240, 320x180
Scan	Progressive
Manual control	<ul style="list-style-type: none"> • Exposure • White balance (2800°K - 9300°K) • Gain • Gamma • Backlight compensation • Sharpnes • Contras • Saturation • Hue • Brightness • Anti-flicker frequency
Rated power	<ul style="list-style-type: none"> • 2W max • 350mA @ 5V - h.264 • 290mA @ 5V - MJPEG / YUYV
Supported OS	<ul style="list-style-type: none"> • Windows • OSX • Linux • Android
Sensor	Onsemi AR0330

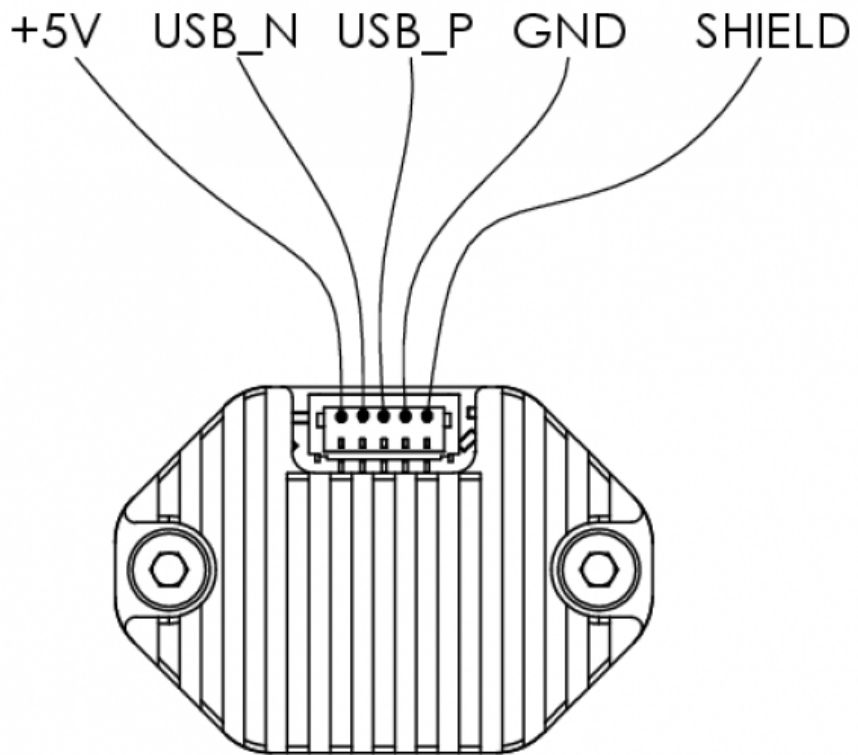
Weight	12g
Dimensions	25×17×28.8mm
Ingress protection	IP40
Lens mount	M12-mount
Operational temperature	-50 ... +65°C

Dimensions

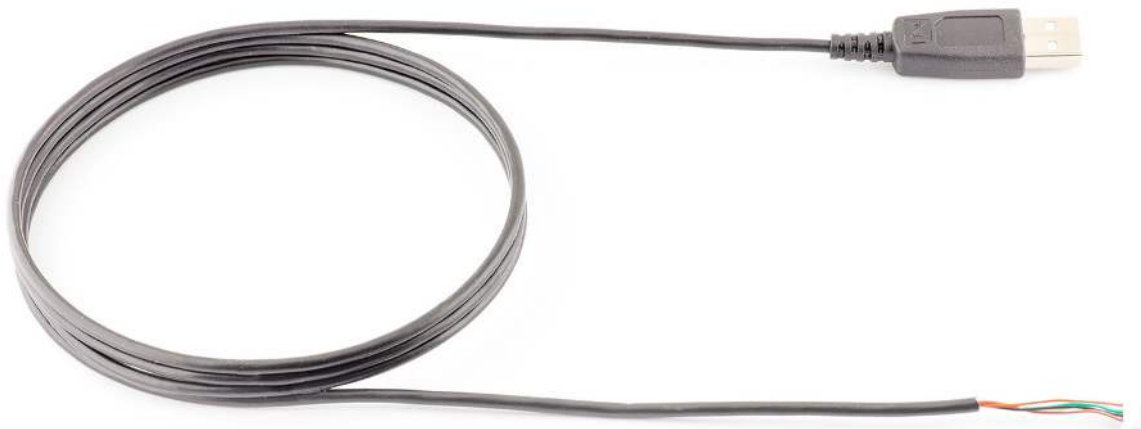


Wiring

i Receptacle: Wurth Electronics 665305124022



Camera comes with 1m custom made USB cable [CABLE_USB_1MM](#)



3D model

i Most of the Kurokesu product 3D modes uploaded to [Github](#)