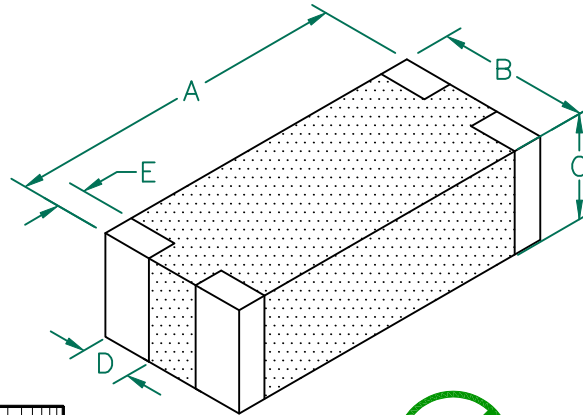


CM3312R111R-10

UNCONTROLLED DOCUMENT

PHYSICAL DIMENSIONS:

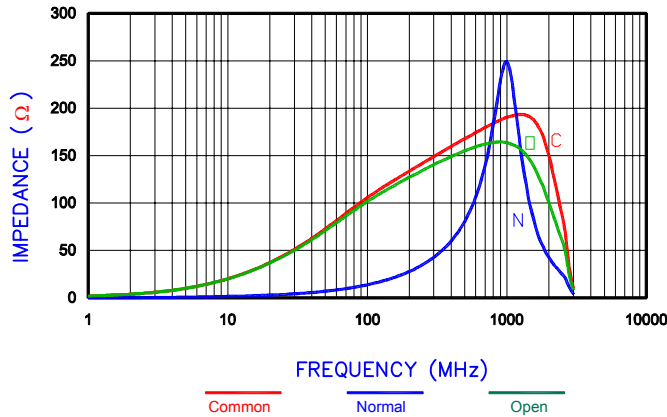
A	8.50 [.335]	+ 0.25 [.010]
B	3.05 [.120]	+ 0.25 [.010]
C	2.36 [.093]	+ 0.25 [.010]
D	1.14 [.045]	+ 0.13 [.005]
E	0.58 [.023]	+ 0.18 [.007]



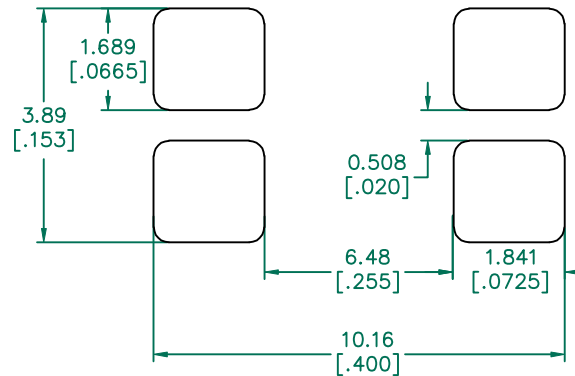
COMMON MODE ELECTRICAL CHARACTERISTICS:				
	COMMON MODE Z @ 100 MHz (Ω)	COMMON MODE Z @ 500 MHz (Ω)	DCR (Ω)	CONTINUOUS Rated Current
Nominal	110	Nominal (Ref)	150	
Minimum	83		-	
Maximum	138		-	5,000 mA

- NOTES: UNLESS OTHERWISE SPECIFIED
1. TAPED AND REELED per CURRENT EIA SPECIFICATIONS 13" REELS, 2500 PCS/REEL.
 2. COMPONENTS SHOULD BE ADEQUATELY PREHEATED BEFORE SOLDERING.
 3. U.S. PATENT 6,288,626 SHOULD APPEAR ON THE LABEL OF EACH REEL OF PACKAGED PARTS.
 4. TERMINATION FINISH IS 100% TIN.

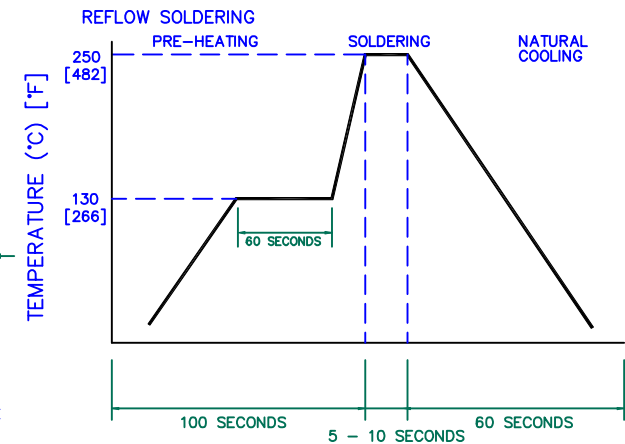
Z vs. FREQUENCY (C,N,O)



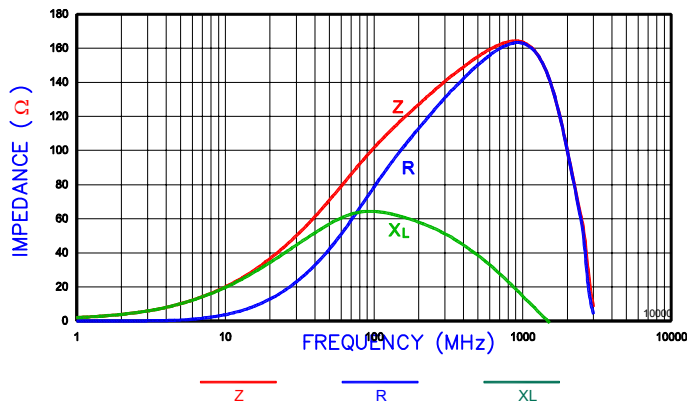
LAND PATTERNS FOR REFLOW SOLDERING



RECOMMENDED SOLDERING CONDITIONS



Z, R, XL vs. FREQUENCY



DURING AND AFTER SOLDERING OPERATION SOLDER MUST NOT BE ALLOWED TO BRIDGE CONTACTS. CONTACT SEPARATION MUST BE MAINTAINED.



DIMENSIONS ARE IN mm [INCHES].				THIS DOCUMENT CONTAINS INFORMATION WHICH IS PROPRIETARY AND CONFIDENTIAL TO STEWARD. NO PRODUCTION OR PUBLICATION OF THIS DOCUMENT IN WHOLE OR IN PART SHALL BE MADE WITHOUT WRITTEN AUTHORIZATION FROM STEWARD.			
				Steward			
PROJECT/PART NUMBER:		REV	PART TYPE:	DRAWN BY:			
CM3312R111R-10		A	CO-FIRE	JRK			
DATE:		SCALE:	SHEET:				
07/27/05		NTS	2 of 2				
REV	DESCRIPTION	DATE	INT	CAD #	TOOL #		
A	ORIGINAL DRAFT	07/27/05	JRK	CM3312R111R-10-A	CM3312		