

## DDR Termination Regulator

### General Description

The RT2568 is a sink/source tracking termination regulator. It is specifically designed for low-cost and low-external component count systems. The RT2568 possesses a high speed operating amplifier that provides fast load transient response and only requires a minimum 10 $\mu$ F x 3 ceramic output capacitor. The RT2568 supports remote sensing functions and all features required to power the DDRIII and Low Power DDRIII / DDRIV VTT bus termination according to the JEDEC specification. In addition, the RT2568 provides an open-drain PGOOD signal to monitor the output regulation and an EN signal that can be used to discharge VTT during S3 (suspend to RAM) for DDR applications.

The RT2568 is available in the thermal efficient package, WDFN-10L 3x3.

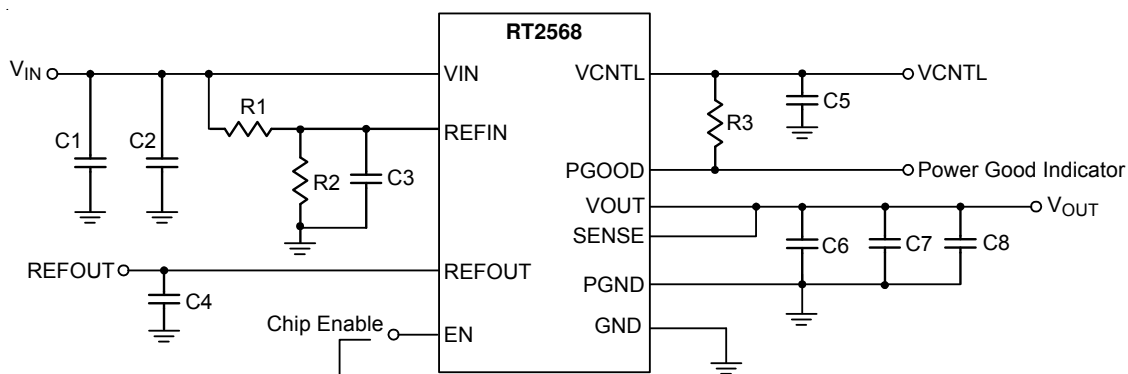
### Features

- VIN Input Voltage Range : 1.1V to 3.5V
- VCNTL Input Voltage Range : 2.9V to 5.5V
- Support Ceramic Capacitors
- Power Good Indicator
- 10mA Source/Sink Reference Output
- Meet DDRI, DDRII JEDEC Spec
- Supports DDR, DDR2, DDR3, DDR3L, Low-Power DDR3, and DDR4 VTT Applications
- Soft-Start Function
- UVLO and OCP Protection
- Thermal Shutdown

### Applications

- Notebook/Desktop/Server
- Telecom/Datacom, GSM Base Station, LCD-TV/PDP-TV, Copier/Printer, Set-Top Box

### Simplified Application Circuit



## Ordering Information

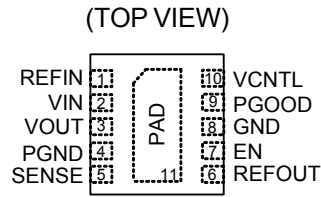
RT2568□□

- Package Type  
QW : WDFN-10L 3x3 (W-Type)
- Lead Plating System  
G : Green (Halogen Free and Pb Free)

RT2568□□□

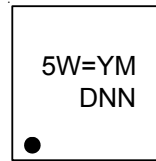
- Pin 1 Orientation\*\*\*  
(2) : Quadrant 2, Follow EIA-481-D
- Package Type  
QW : WDFN-10L 3x3 (W-Type)
- Lead Plating System  
G : Green (Halogen Free and Pb Free)

## Pin Configuration



WDFN-10L 3x3

## Marking Information



5W= : Product Code  
YMDNN : Date Code

Note :

\*\*\*Empty means Pin1 orientation is Quadrant 1

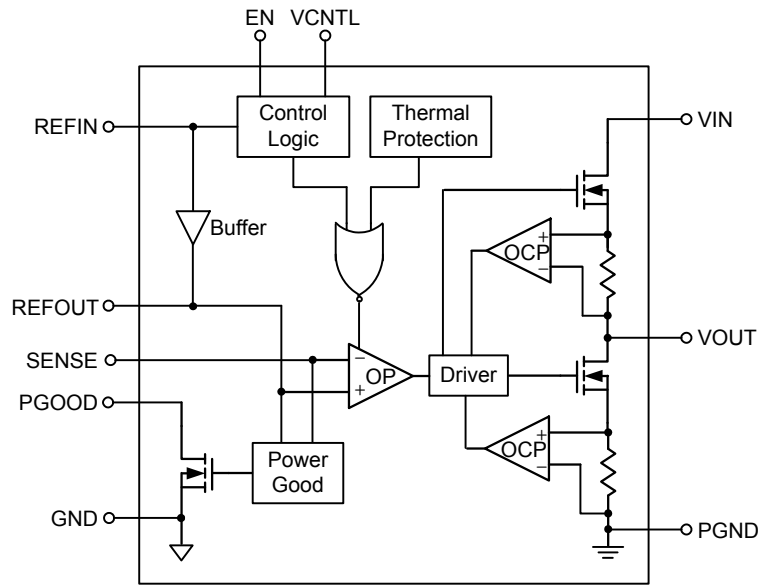
Richtek products are :

- ▶ RoHS compliant and compatible with the current requirements of IPC/JEDEC J-STD-020.
- ▶ Suitable for use in SnPb or Pb-free soldering processes.

## Functional Pin Description

Pin No.	Pin Name	Pin Function
1	REFIN	Reference input.
2	VIN	Power input of the regulator.
3	VOUT	Power output of the regulator.
4	PGND	Power ground of the regulator.
5	SENSE	Voltage sense input for the regulator. Connect to positive terminal of the output capacitor or the load.
6	REFOUT	Reference output. Connect to GND through a 0.1μF ceramic capacitor.
7	EN	Enable control input. For DDR VTT application, connect EN to SLP_S3. For other applications, use EN as the ON/OFF function.
9	PGOOD	Power good open-drain output. Connect a pull-up resistor between this pin and VCNTL pin.
10	VCNTL	Control voltage input. Connect this pin to the 3.3V or 5V power supply. A ceramic decoupling capacitor with a value 4.7μF is required.
8	GND	Analog ground. Connect to negative terminal of the output capacitor.
11 (Exposed Pad)	PAD	Exposed pad. The exposed pad is internally unconnected and must be soldered to a large PGND plane. Connect this PGND plane to other layers with thermal vias to help dissipate heat from the device.

## Functional Block Diagram



## Operation

The RT2568 is a linear sink/source DDR termination regulator with current capability up to 3A. The RT2568 builds in a high-side N-MOSFET which provides current sourcing and a low-side N-MOSFET which provides current sinking. All the control circuits are supplied by the power VCNTL. In normal operation, the error amplifier OP adjusts the gate driving voltage of the power MOSFET to achieve SENSE voltage well tracking the REFIN voltage.

Both the source and sink currents are detected by the internal sensing resistor, and the OCP function will work to limit the current to a designed value when overload happens. Furthermore, the current will be folded back to be one half if VOUT is out of the power good window.

### Buffer

This function provides REFOUT output equal to  $V_{REFIN}$  with 10mA source/sink current capability.

### Power Good

When the SENSE voltage is in the power good window and lasts for a certain delay time, then the PGOOD pin will be high impedance and the PGOOD voltage will be pulled high by the external resistor.

### Over-Current Protection

The device continuously monitors the output current to protect the pass transistor against abnormal operations. The current limit ( $I_{LIM}$ ) level reduces to one-third when the output voltage is not within the powergood window. This reduction is a non-latch protection.

### Control Logic

This block includes VCNTL UVLO, REFIN UVLO and Enable/Disable functions, and provides logic control to the whole chip.

### Thermal Protection

Both the high-side and low-side power MOSFETs will be turned off when the junction temperature is higher than typically 160°C, and be released to normal operation when junction temperature falls below 120°C typically.

## Absolute Maximum Ratings (Note 1)

• Supply Voltage, VIN, VCNTL	-----	-0.3V to 6V
• Input Voltage, EN, REFIN, SENSE	-----	-0.3V to 6V
• Output Voltage, VOUT, REFOUT, PGOOD	-----	-0.3V to 6V
• Power Dissipation, PD @ TA = 25°C		
WDFN-10L 3x3	-----	2.5W
• Package Thermal Resistance (Note 2)		
WDFN-10L 3x3, θJA	-----	40°C/W
WDFN-10L 3x3, θJC	-----	7.5°C/W
• Lead Temperature (Soldering, 10 sec.)	-----	260°C
• Junction Temperature	-----	150°C
• Storage Temperature Range	-----	-65°C to 150°C
• ESD Susceptibility (Note 3)		
HBM (Human Body Model)	-----	2kV
MM (Machine Model)	-----	200V
CDM (Charged Device Model)	-----	2kV

## Recommended Operating Conditions (Note 4)

• Control Input Voltage, VCNTL	-----	2.9V to 5.5V
• Supply Input Voltage, VIN	-----	1.1V to 3.5V
• Junction Temperature Range	-----	-40°C to 125°C

## Electrical Characteristics

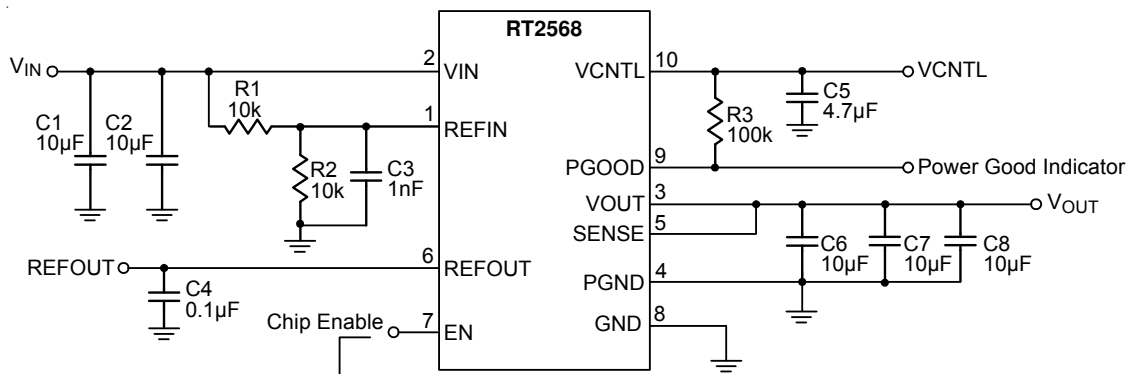
(VIN = 1.5V, VEN = VCNTL = 3.3V, VREFIN = VSENSE = 0.75V, COUT = 10μF x 3, TA = -40°C to 85°C, unless otherwise specified)

Parameter	Symbol	Test Conditions	Min	Typ	Max	Unit
<b>Supply Current</b>						
VCNTL Supply Current	IVCNTL	VEN = VCNTL, no load	--	0.7	1	mA
VCNTL Shutdown Current	ISHDN_VCNTL	VEN = 0V, VREFIN = 0V, no load	--	65	80	μA
		VEN = 0V, VREFIN > 0.4V, no load	--	200	400	
VIN Supply Current	IVIN	VEN = VCNTL, no load	--	1	50	μA
VIN Shutdown Current	ISHDN_VIN	VEN = 0V, no load	--	0.1	50	μA
<b>Output</b>						
VTT Output Voltage	VOUTO	VIN = 1.5V, VREFIN = 0.75V, IOUT = 0A	--	0.75	--	V
		VIN = 1.35V, VREFIN = 0.675V, IOUT = 0A	--	0.675	--	
		VIN = 1.2V, VREFIN = 0.6V, IOUT = 0A	--	0.6	--	
VTT Output Voltage Offset	VOUT_OS	IOUT < ±2A, VLDOIN = 1.5V, VOUT_OS = VOUT - VOUTO	-25	--	25	mV
		IOUT < ±2A, VLDOIN = 1.35V, VOUT_OS = VOUT - VOUTO	-25	--	25	
		IOUT < ±2A, VLDOIN = 1.2V, VOUT_OS = VOUT - VOUTO	-25	--	25	

Parameter	Symbol	Test Conditions	Min	Typ	Max	Unit
VOOUT Source Current Limit	ILIM_VOOUT_SR	VOOUT in PGOOD window	3	4.5	--	A
VOOUT Sink Current Limit	ILIM_VOOUT_SK	VOOUT in PGOOD window	3	4.5	--	A
VOOUT Discharge Resistance	RDISCHARGE	VREFIN = 0V, VOOUT = 0.3V, VEN = 0V	--	18	25	Ω
<b>Power Good Comparator</b>						
PGOOD Threshold	VTH_PGOOD	VSENSE lower threshold with respect to REFOUT	--	-20	--	%
		VSENSE upper threshold with respect to REFOUT	--	20	--	
		PGOOD hysteresis	--	5	--	
PGOOD Start-Up Delay	TPGDELAY1	Start-up rising delay, VSENSE within PGOOD range	--	2	--	ms
Output Low Voltage	VLOW_PGOOD	IPGOOD = 4mA	--	--	0.4	V
PGOOD Falling Delay	TPGDELAY2	Falling delay, VSENSE is out of PGOOD range	--	10	--	μs
Leakage Current	I Leakage_PGOOD	VSENSE = VREFIN (PGOOD high impedance), VPGOOD = VCNTL + 0.2V	--	--	1	μA
<b>REFIN and REFOUT</b>						
REFIN Input Current	IREFIN	VEN = VCNTL	--	--	1	μA
REFIN Voltage Range	VREFIN		0.5	--	1.8	V
REFIN Under-Voltage Lockout	VUVLO_REFIN	REFIN rising	360	390	420	mV
		Hysteresis	--	20	--	
REFOUT Voltage Tolerance to VREFIN	VTOL_REFOUT	-10mA < IREFOUT < 10mA, VREFIN = 0.75V	-15	--	15	mV
		-10mA < IREFOUT < 10mA, VREFIN = 0.675V	-13.5	--	13.5	
		-10mA < IREFOUT < 10mA, VREFIN = 0.6V	-12	--	12	
REFOUT Source Current Limit	ILIM_REFOUT_SR	VREFOUT = 0V	10	40	--	mA
REFOUT Sink Current Limit	ILIM_REFOUT_SK	VREFOUT = REFIN + 1V	10	40	--	mA
<b>UVLO/EN</b>						
UVLO Threshold	VUVLO_VCNTL	Rising	2.5	2.7	2.85	V
		Hysteresis	--	120	--	mV
EN Input Voltage	Logic-High	VIN_H	1.7	--	--	V
	Logic-Low	VIN_L	--	--	0.3	
<b>Thermal Shutdown</b>						
Thermal Shutdown Threshold	TSD	Shutdown temperature (Note 5)	--	160	--	°C
		Hysteresis (Note 5)	--	15	--	

- Note 1.** Stresses beyond those listed under “Absolute Maximum Ratings” may cause permanent damage to the device. These are stress ratings only, and functional operation of the device at these or any other conditions beyond those indicated in the operational sections of the specifications is not implied. Exposure to absolute maximum rating conditions may affect device reliability.
- Note 2.**  $\theta_{JA}$  is measured at  $T_A = 25^\circ\text{C}$  on a high effective thermal conductivity four-layer test board per JEDEC 51-7.  $\theta_{JC}$  is measured at the exposed pad of the package.
- Note 3.** Devices are ESD sensitive. Handling precautions are recommended.
- Note 4.** The device is not guaranteed to function outside its operating conditions.
- Note 5.** Guarantee by design.

**Typical Application Circuit**

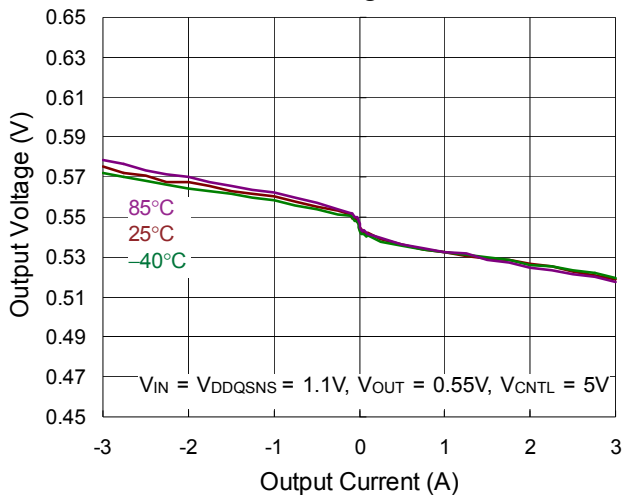


**Table 1. Recommended External Components**

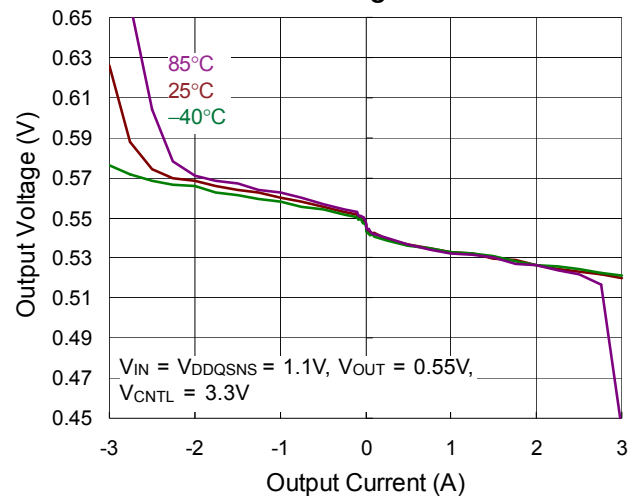
Component	Description	Vendor P/N
C1, C2, C6, C7, C8	10µF, 6.3V, X7R, 0805	GRM21BR70J106KE76L (Murata) CGA4J1X7R0J106K125AC (TDK)
C3	1nF, 50V, X7R, 0603	GCD188R71H102KA01D (Murata) CGA3E2X7R1H102K080AA (TDK)
C4	0.1µF, 16V, X7R, 0603	GCJ188R71C104KA01D (Murata)
C5	4.7µF, 6.3V, X5R, 0603	GRT188R60J475ME01D (Murata) CGB3B3X5R0J475M055AB(TDK)

Typical Operating Characteristics

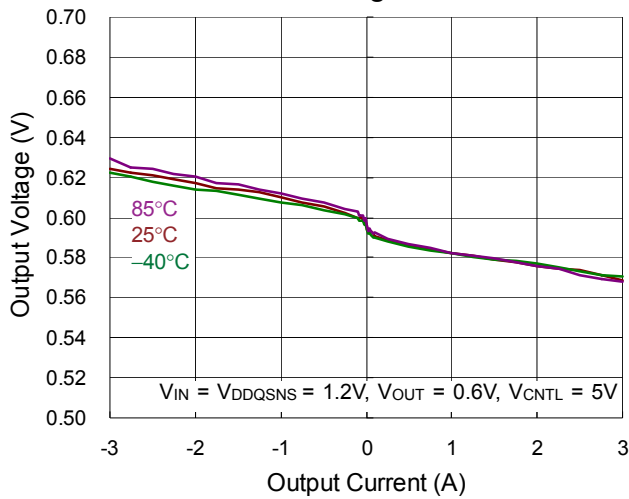
Load Regulation



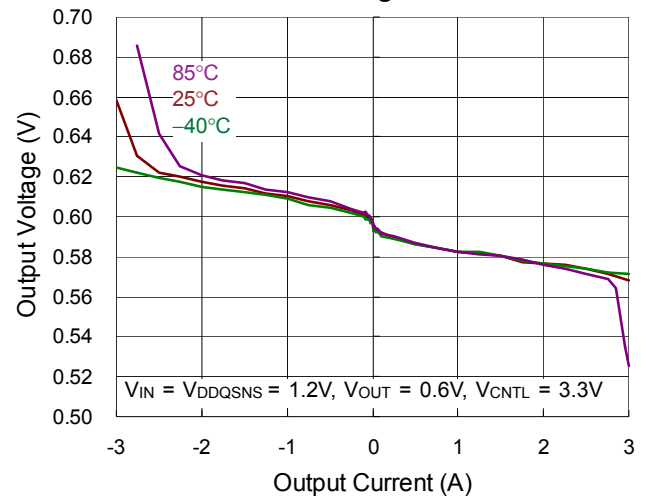
Load Regulation



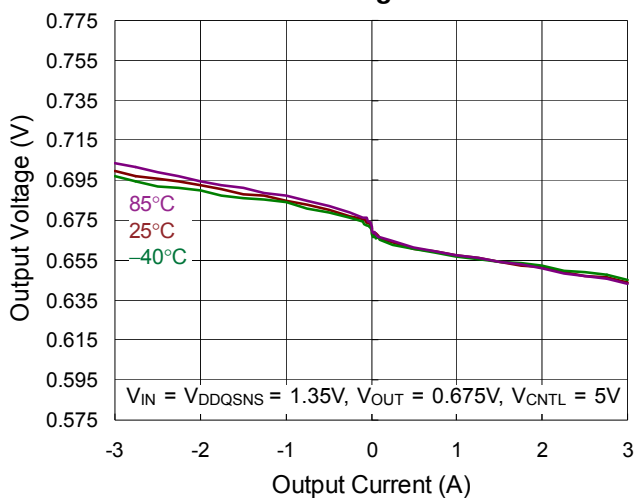
Load Regulation



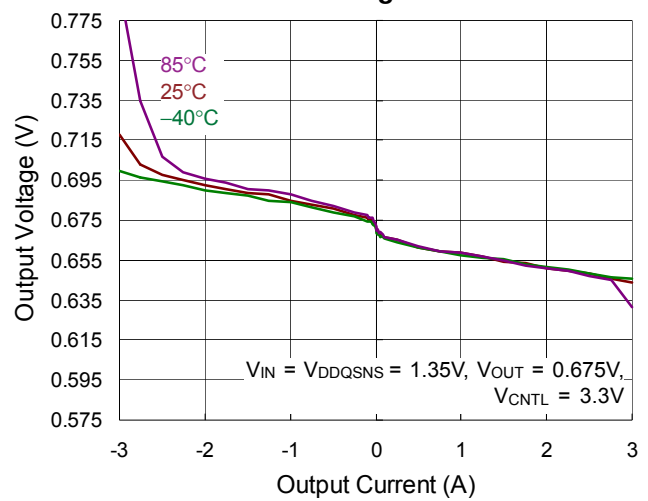
Load Regulation



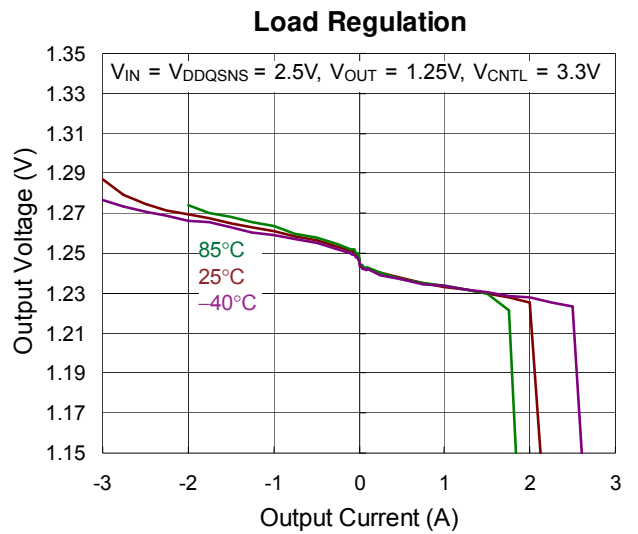
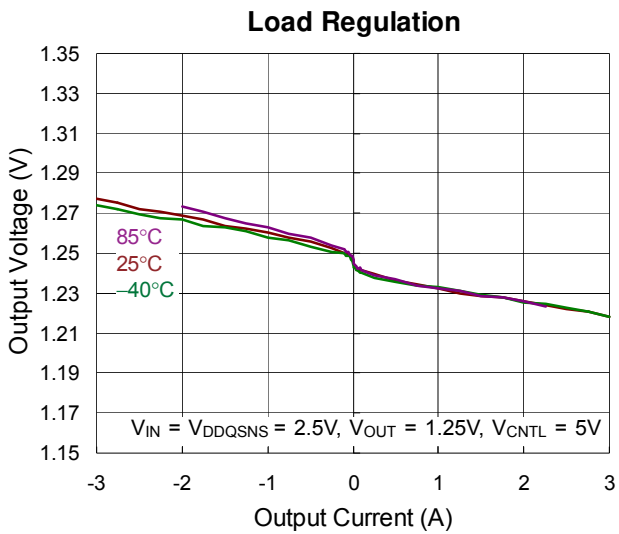
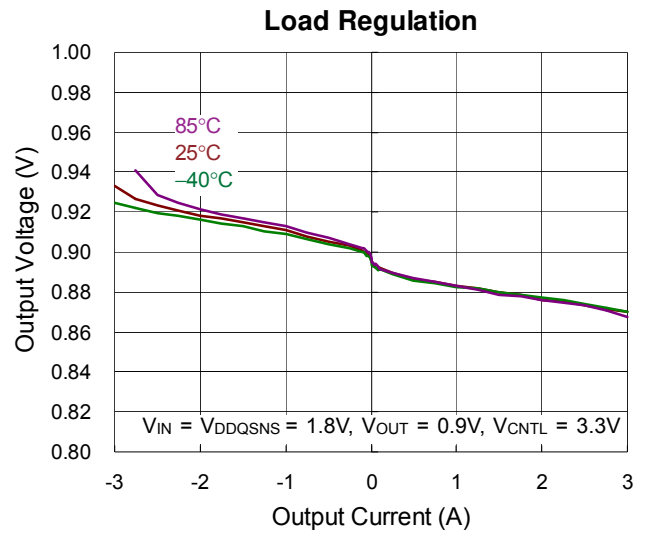
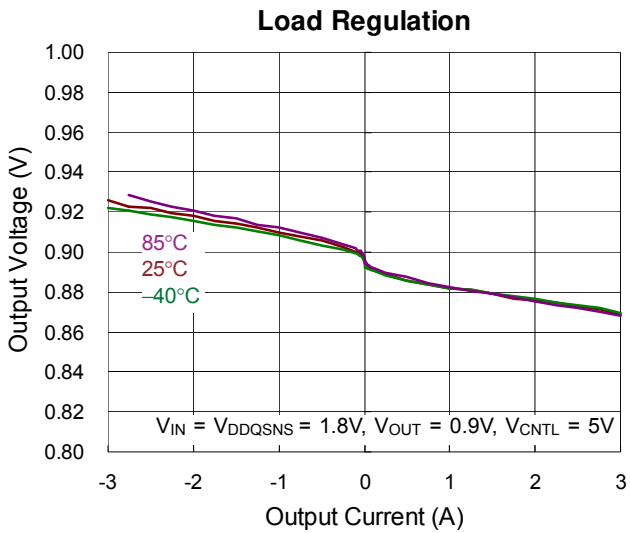
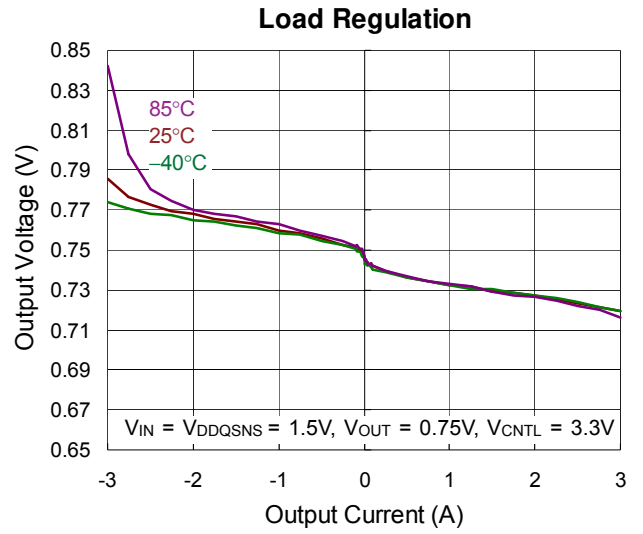
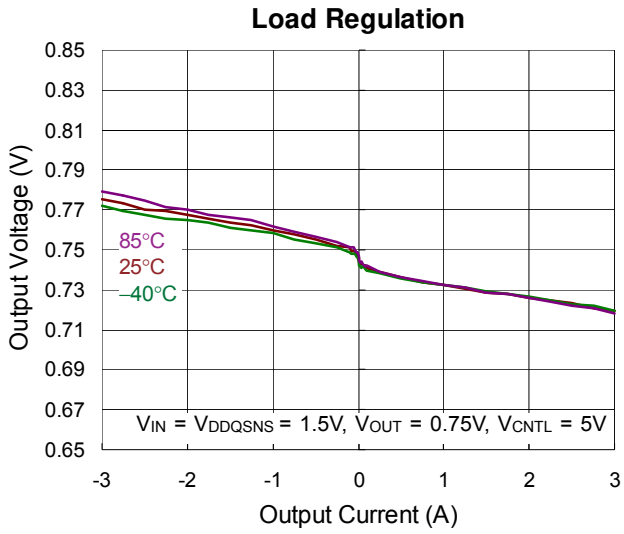
Load Regulation



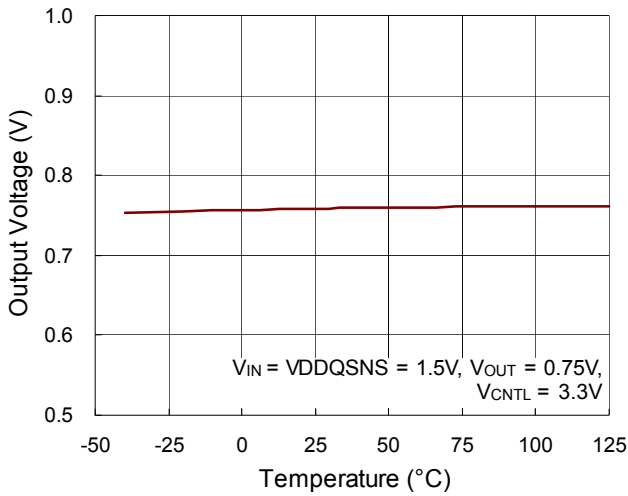
Load Regulation



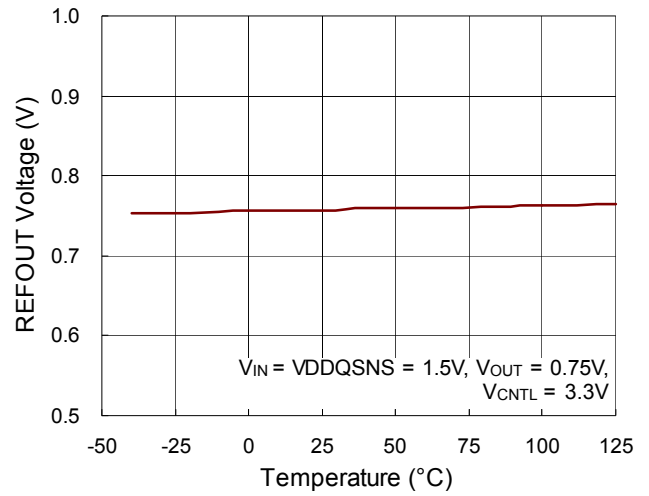




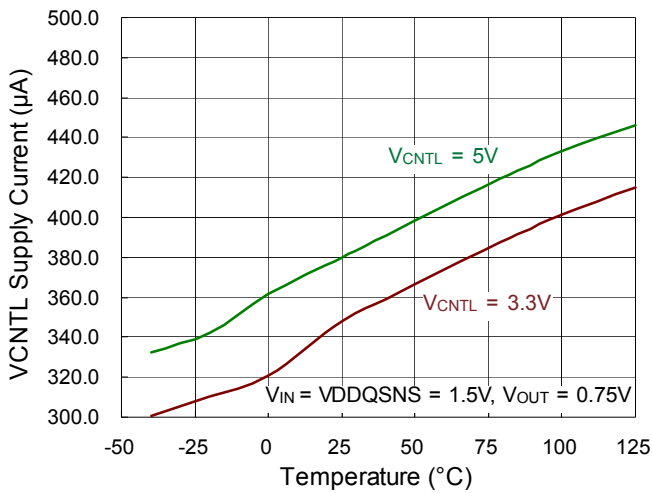
Output Voltage vs. Temperature



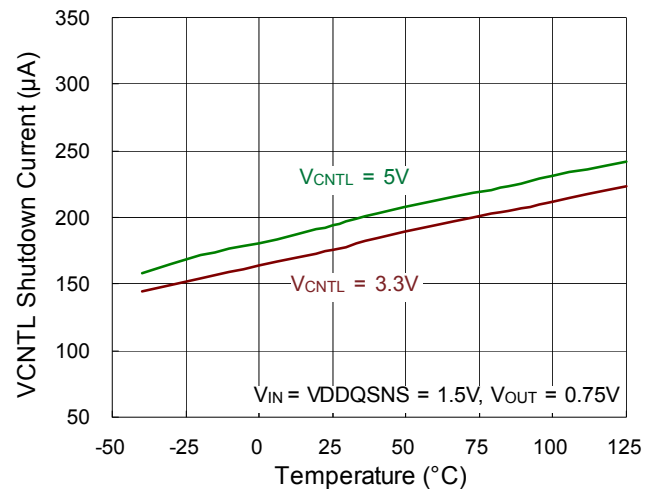
REFOUT Voltage vs. Temperature



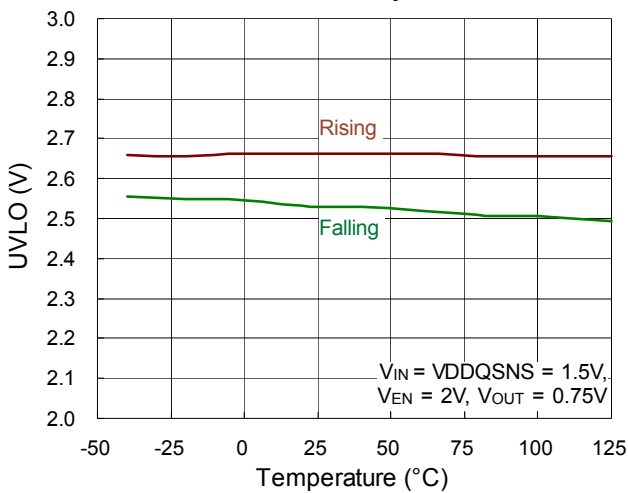
VCNTL Supply Current vs. Temperature



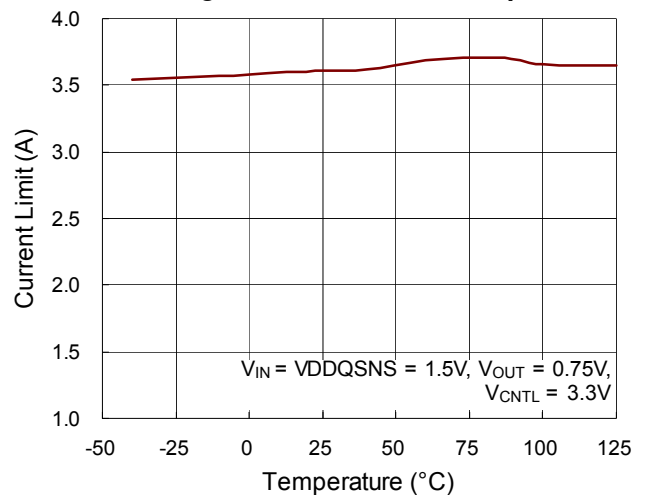
VCNTL Shutdown Current vs. Temperature



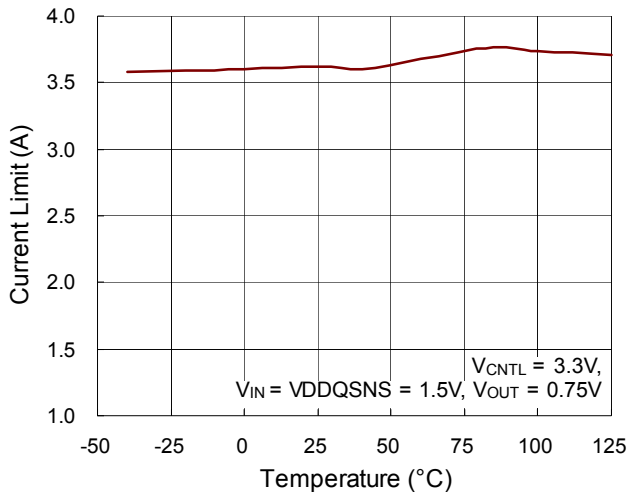
UVLO vs. Temperature



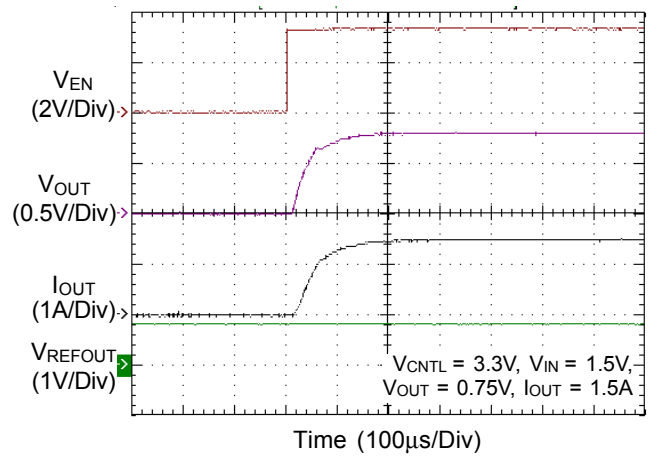
Sourcing Current Limit vs. Temperature



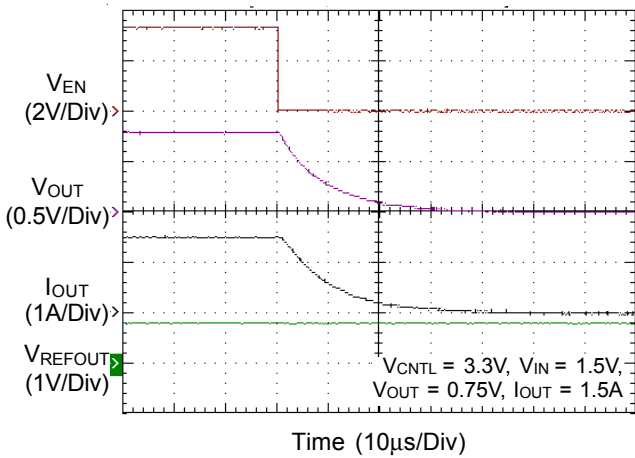
**Sinking Current Limit vs. Temperature**



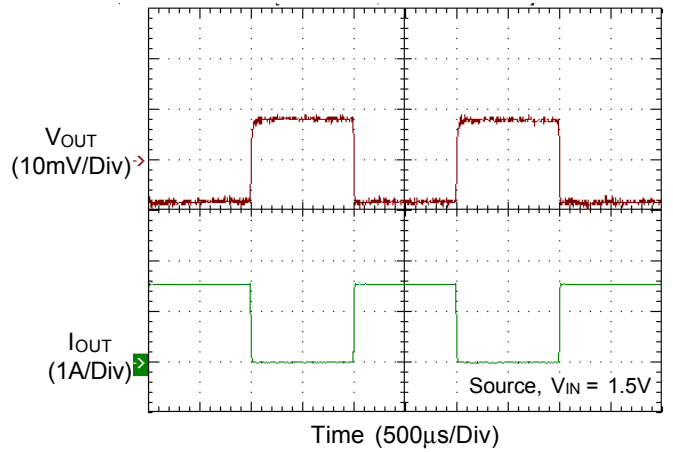
**Power On from EN**



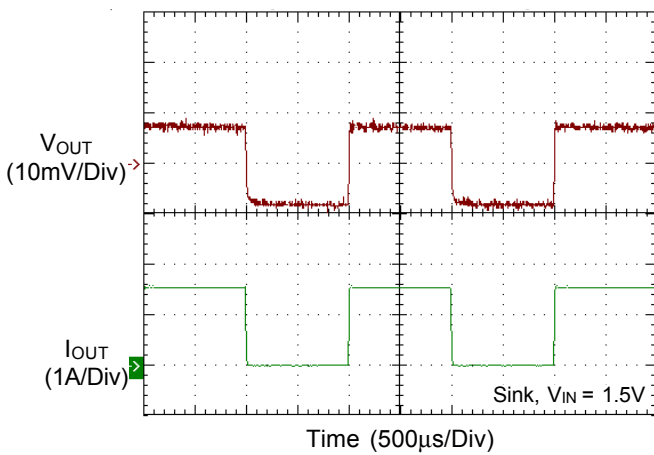
**Power Off from EN**



**0.75V<sub>OUT</sub> @ 1.5A Transient Response**



**0.75V<sub>OUT</sub> @ 1.5A Transient Response**



## Application Information

**Richtek's component specification does not include the following information in the Application Information section. Thereby no warranty is given regarding its validity and accuracy. Customers should take responsibility to verify their own designs and reserve suitable design margin to ensure the functional suitability of their components and systems.**

The RT2568 is a 3.5A sink/source tracking termination regulator. It is specifically designed for low-cost and low-external component count system such as notebook PC applications. The RT2568 possesses a high speed operating amplifier that provides fast load transient response and only requires two 10μF ceramic input capacitors and three 10μF ceramic output capacitors.

### Capacitor Selection

Good bypassing is recommended from VLDOIN to GND to help improve AC performance. A 10μF or greater input capacitor located as close as possible to the IC is recommended. The input capacitor must be located at a distance of less than 0.5 inches from the VLDOIN pin of the IC.

Adding a 1μF ceramic capacitor close to the VIN pin and it should be kept away from any parasitic impedance from the supply power. For stable operation, the total capacitance of the ceramic capacitor at the VTT output terminal must be larger than 30μF. The RT2568 is designed specifically to work with low ESR ceramic output capacitor in space saving and performance consideration. Larger output capacitance can reduce the noise and improve load transient response, stability and PSRR. The output capacitor should be located near the VTT output terminal pin as close as possible.

### Thermal Considerations

For continuous operation, do not exceed absolute maximum junction temperature. The maximum power dissipation depends on the thermal resistance of the IC package, PCB layout, rate of surrounding airflow, and difference between junction and ambient temperature. The maximum power dissipation can be calculated by the following formula :

$$P_{D(MAX)} = (T_{J(MAX)} - T_A) / \theta_{JA}$$

where  $T_{J(MAX)}$  is the maximum junction temperature,  $T_A$  is

the ambient temperature, and  $\theta_{JA}$  is the junction to ambient thermal resistance.

For recommended operating condition specifications, the maximum junction temperature is 125°C. The junction to ambient thermal resistance,  $\theta_{JA}$ , is layout dependent. For WDFN-10L 3x3 package, the thermal resistance,  $\theta_{JA}$ , is 40°C/W on a standard JEDEC 51-7 four-layer thermal test board. The maximum power dissipation at  $T_A = 25^\circ\text{C}$  can be calculated by the following formula :

$$P_{D(MAX)} = (125^\circ\text{C} - 25^\circ\text{C}) / (40^\circ\text{C}/\text{W}) = 2.5\text{W for WDFN-10L 3x3 package}$$

The maximum power dissipation depends on the operating ambient temperature for fixed  $T_{J(MAX)}$  and thermal resistance,  $\theta_{JA}$ . The derating curve in Figure 1 allows the designer to see the effect of rising ambient temperature on the maximum power dissipation.

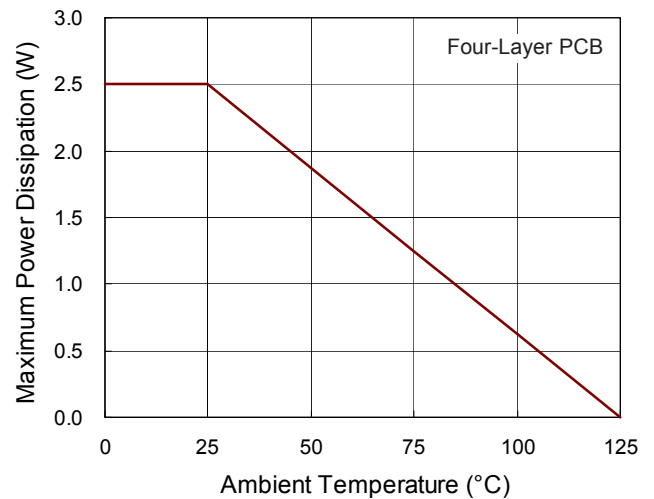


Figure 1. Derating Curve of Maximum Power Dissipation

**Layout Considerations**

For best performance of the RT2568, the PCB layout suggestions below are highly recommend :

- ▶ With wide and short connection plane between capacitors and pins for trace impedance minimization.
- ▶ The ground plane connected by a wide copper surface for good thermal dissipation, add via connection also helps reduce the GND loop trace.
- ▶ Connect the SENSE pin to the positive node of output capacitor at  $V_{OUT}$  terminal for output target level remote sensing.

- ▶ Since the output voltage  $V_{OUT}$  setting is follow the REFIN pin input voltage level  $V_{REFIN}$  ( $V_{OUT} = V_{REFIN}$ ), the REFIN pin can connected with independent voltage source for stable input signal and good  $V_{OUT}$  target accuracy. For the application which  $V_{REFIN}$  sinks the voltage source divided from  $V_{IN}$  power trace, with separate connection trace between R1 and  $V_{IN}$  terminal side for good  $V_{REFIN}$  signal stability also avoid the reference voltage level shrink down caused by  $V_{IN}$  trace loss at high load operation.

Figure 2 shows an example for the layout reference that reduce conduction trace loop, helping inductive parasitic minimize, load transient reduction and good circuit stability.

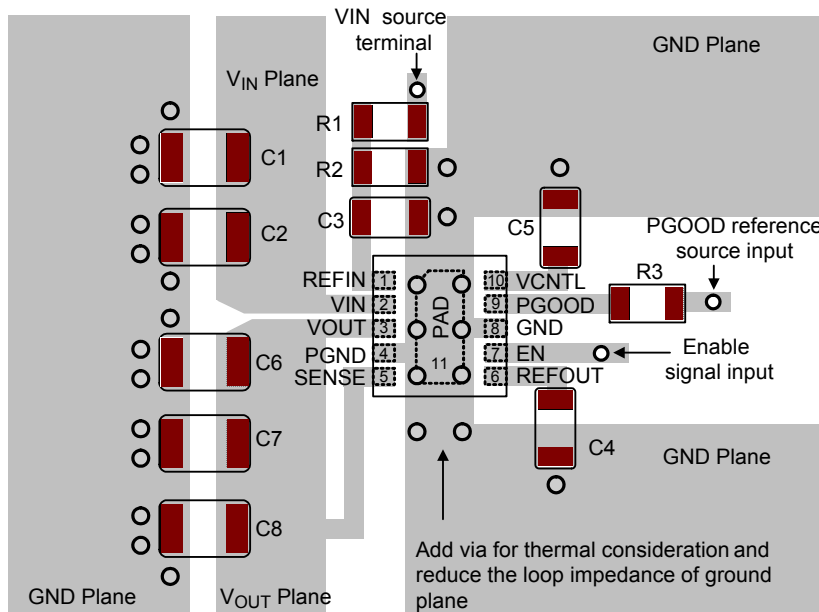
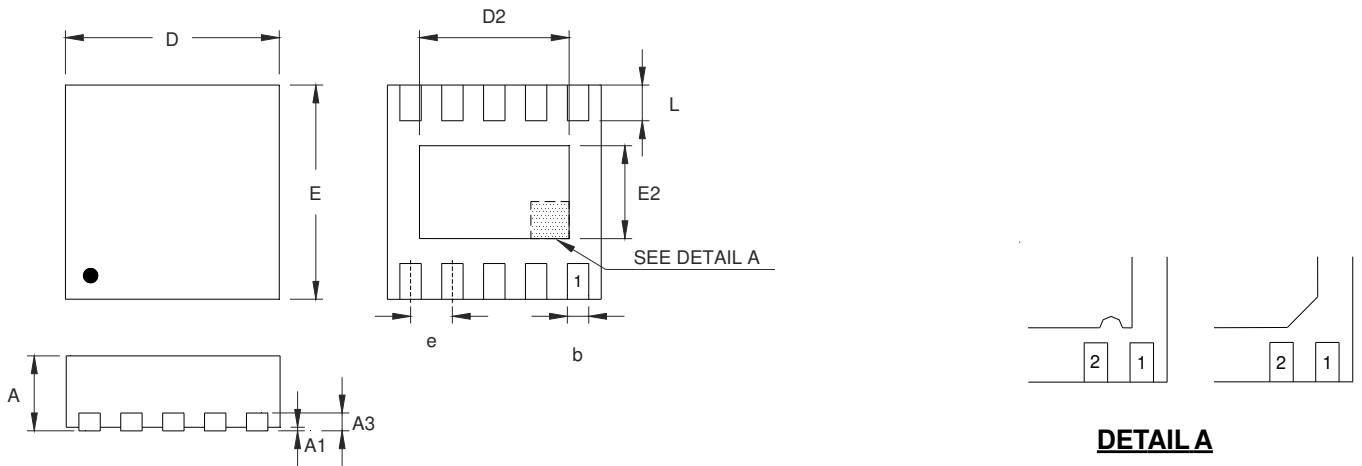


Figure 2. PCB Layout Guide

## Outline Dimension



### DETAIL A

Pin #1 ID and Tie Bar Mark Options

Note : The configuration of the Pin #1 identifier is optional, but must be located within the zone indicated.

Symbol	Dimensions In Millimeters		Dimensions In Inches	
	Min	Max	Min	Max
A	0.700	0.800	0.028	0.031
A1	0.000	0.050	0.000	0.002
A3	0.175	0.250	0.007	0.010
b	0.180	0.300	0.007	0.012
D	2.950	3.050	0.116	0.120
D2	2.300	2.650	0.091	0.104
E	2.950	3.050	0.116	0.120
E2	1.500	1.750	0.059	0.069
e	0.500		0.020	
L	0.350	0.450	0.014	0.018

### W-Type 10L DFN 3x3 Package

## Richtek Technology Corporation

14F, No. 8, Tai Yuen 1<sup>st</sup> Street, Chupei City

Hsinchu, Taiwan, R.O.C.

Tel: (8863)5526789

Richtek products are sold by description only. Richtek reserves the right to change the circuitry and/or specifications without notice at any time. Customers should obtain the latest relevant information and data sheets before placing orders and should verify that such information is current and complete. Richtek cannot assume responsibility for use of any circuitry other than circuitry entirely embodied in a Richtek product. Information furnished by Richtek is believed to be accurate and reliable. However, no responsibility is assumed by Richtek or its subsidiaries for its use; nor for any infringements of patents or other rights of third parties which may result from its use. No license is granted by implication or otherwise under any patent or patent rights of Richtek or its subsidiaries.

**Datasheet Revision History**

Version	Date	Description	Item
07	2023/5/25	Modify	Features on P1 Electrical Characteristics on P5 Application Information on P12