



- EL 12.7 Core Design
- 5 Pin Through Hole
- 200Hz - 4KHz ±0.5dB Frequency Response
- Operating temperature range: -40°C to +125°C

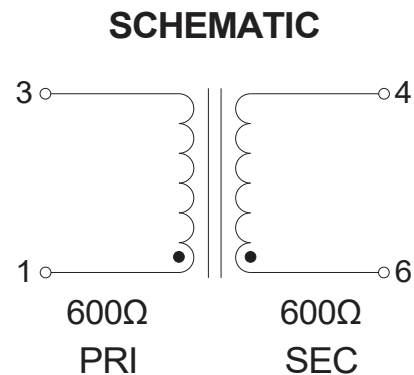
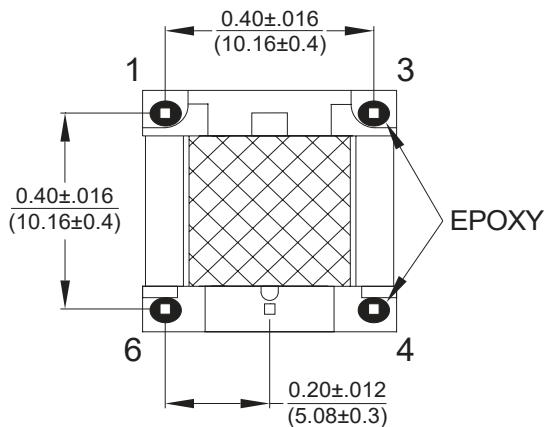
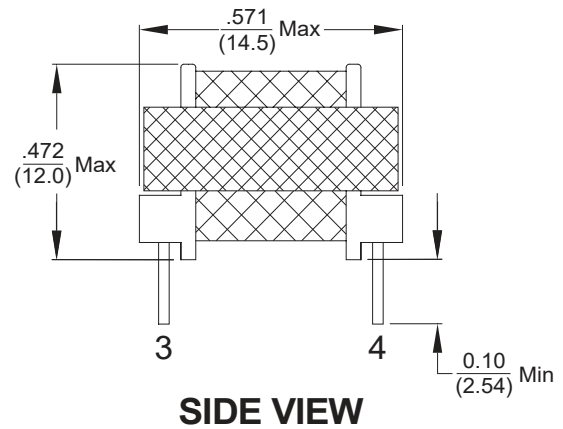
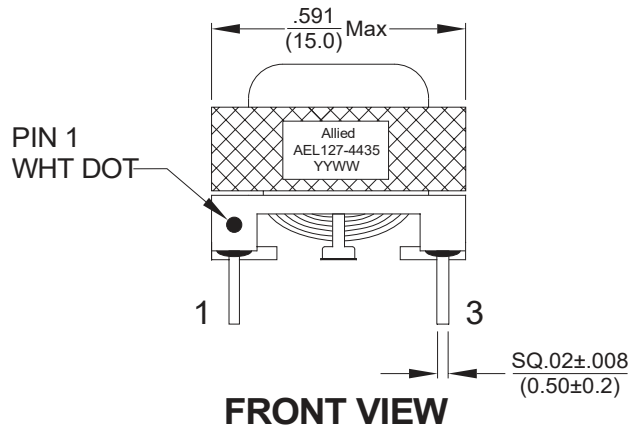


Electrical Specifications @ 25°C				
IMPEDANCE	INSERTION LOSS @1KHz, 1.0Vrms	DCR	HI-POT TEST	URNS RATIO (±2%)
PRI: 600Ω ±10%	1.5 dB Max	(1 - 3) 59.0Ω ±15%	PRI TO SEC: 1875Vrms / 5.0mA / 1Sec	(1 - 3) : (6 - 4) = 1 : 1
SEC: 600Ω ±10%		(6 - 4) 59.0Ω ±15%		

All specifications subject to change without notice.

MECHANICAL

DIMENSIONS: $\frac{\text{inch}}{\text{(mm)}}$



BOTTOM VIEW