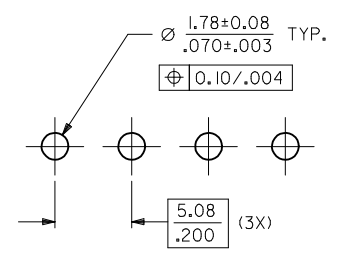
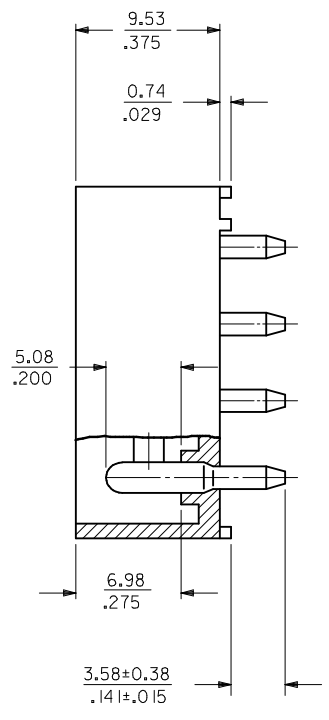
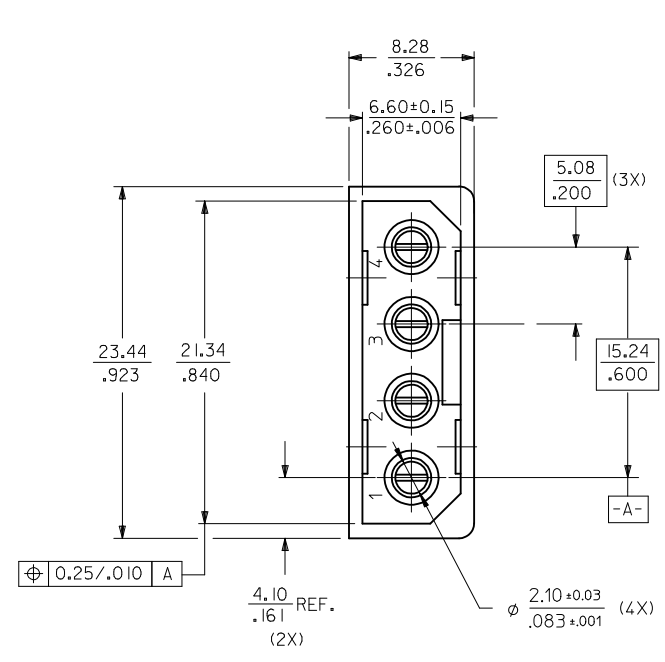


MAT'L NO.	ENG NO.
15-24-4745	A-8981-4V5-LF



RECOMMENDED PCB HOLE LAYOUT

NOTES :

1. PLATING
POSTPLATE 0.00254/.000100 MIN. TIN
OVER 0.00127/.000050 MIN. NICKEL OVERALL.
2. PART TO MATE WITH HOUSING 8981-4P2
AND TERMINAL 8980-3*.
3. PRODUCT SPEC PS-8981-4V4/4R1-P APPLIES.
4. MATERIAL:
HOUSING - PCT, GLASS FILLED, UL94V-0
COLOR BLACK
TERMINAL - PHOS BRONZE

ADD CKT INDICATION EC NO: S2009-0836 DRWN:SKANG 2009/05/08 CHKD:ATSEE 2009/05/08 APPR:MLONG 2009/05/11	QUALITY SYMBOLS	GENERAL TOLERANCES (UNLESS SPECIFIED)	DIMENSION STYLE	SCALE	DESIGN UNITS	THIRD ANGLE PROJECTION																		
	$\nabla=0$ $\square=0$	<table border="1"> <tr> <td></td> <td>mm</td> <td>INCH</td> </tr> <tr> <td>4 PLACES</td> <td>± ---</td> <td>± ---</td> </tr> <tr> <td>3 PLACES</td> <td>± ---</td> <td>± .008</td> </tr> <tr> <td>2 PLACES</td> <td>± 0.20</td> <td>± ---</td> </tr> <tr> <td>1 PLACE</td> <td>± ---</td> <td>± ---</td> </tr> </table>		mm	INCH	4 PLACES	± ---	± ---	3 PLACES	± ---	± .008	2 PLACES	± 0.20	± ---	1 PLACE	± ---	± ---	MM/IN	NTS	METRIC				
		mm	INCH																					
	4 PLACES	± ---	± ---																					
3 PLACES	± ---	± .008																						
2 PLACES	± 0.20	± ---																						
1 PLACE	± ---	± ---																						
REV	DESCRIPTION	ANGULAR ± 3 °	<table border="1"> <tr> <td>DRAWN BY</td> <td>DATE</td> <td>TITLE</td> </tr> <tr> <td>SKTOH</td> <td>1991/10/17</td> <td>POWER CONNECTOR, 4 CKTS VERTICAL MOUNT</td> </tr> <tr> <td>CHECKED BY</td> <td>DATE</td> <td></td> </tr> <tr> <td>MLA1</td> <td>1991/10/17</td> <td></td> </tr> <tr> <td>APPROVED BY</td> <td>DATE</td> <td></td> </tr> <tr> <td>RWONG</td> <td>1991/10/18</td> <td></td> </tr> </table>	DRAWN BY	DATE	TITLE	SKTOH	1991/10/17	POWER CONNECTOR, 4 CKTS VERTICAL MOUNT	CHECKED BY	DATE		MLA1	1991/10/17		APPROVED BY	DATE		RWONG	1991/10/18		MOLEX INCORPORATED		
DRAWN BY	DATE	TITLE																						
SKTOH	1991/10/17	POWER CONNECTOR, 4 CKTS VERTICAL MOUNT																						
CHECKED BY	DATE																							
MLA1	1991/10/17																							
APPROVED BY	DATE																							
RWONG	1991/10/18																							
1		DRAFT WHERE APPLICABLE MUST REMAIN WITHIN DIMENSIONS	<table border="1"> <tr> <td>MATERIAL NO.</td> <td>DOCUMENT NO.</td> <td>SHEET NO.</td> </tr> <tr> <td>SEE TABLE</td> <td>SD-8981-4V5</td> <td>1 OF 1</td> </tr> </table>	MATERIAL NO.	DOCUMENT NO.	SHEET NO.	SEE TABLE	SD-8981-4V5	1 OF 1	THIS DRAWING CONTAINS INFORMATION THAT IS PROPRIETARY TO MOLEX INCORPORATED AND SHOULD NOT BE USED WITHOUT WRITTEN PERMISSION														
MATERIAL NO.	DOCUMENT NO.	SHEET NO.																						
SEE TABLE	SD-8981-4V5	1 OF 1																						