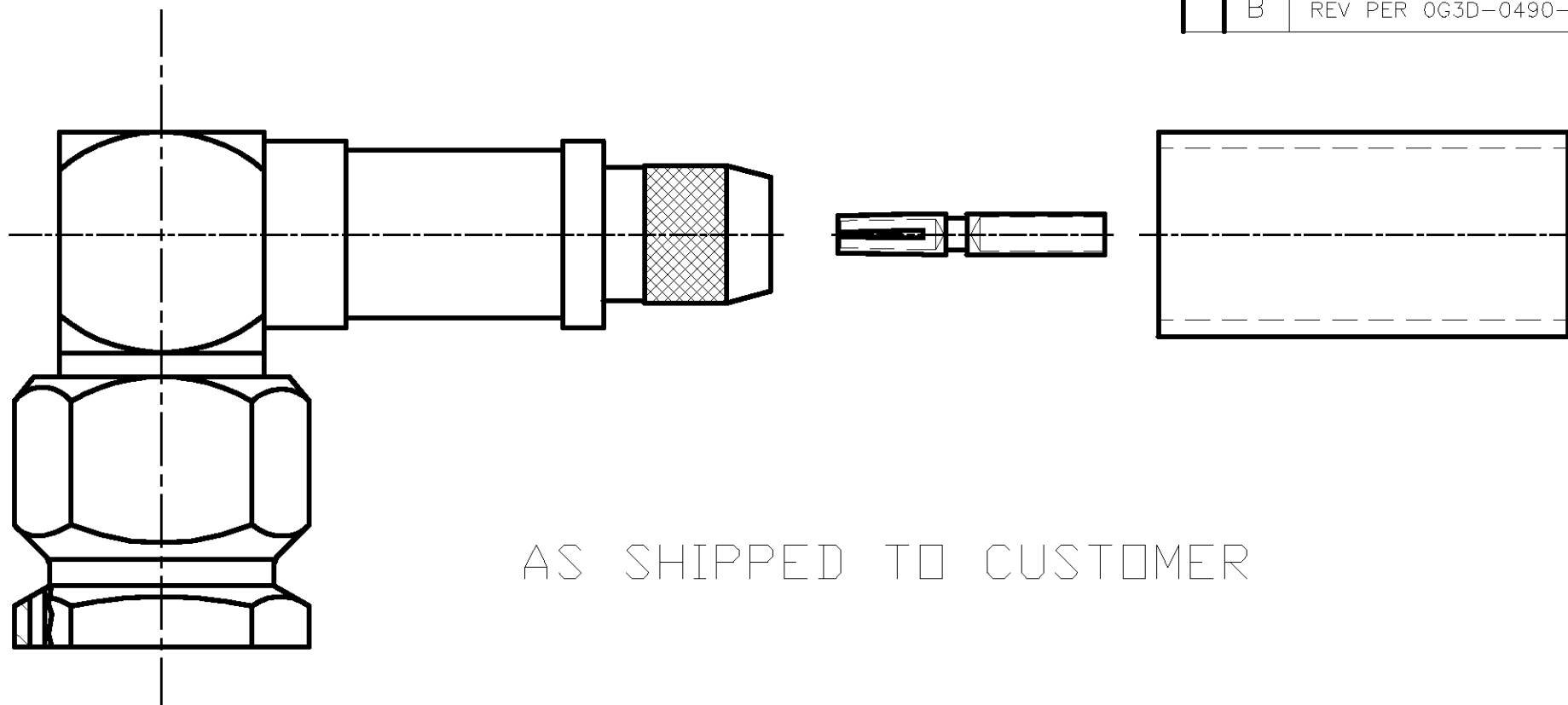


THIS DRAWING IS UNPUBLISHED. RELEASED FOR PUBLICATION N/A, N/A
 © COPYRIGHT N/A BY TYCO ELECTRONICS CORPORATION. ALL RIGHTS RESERVED.

LOC	DIST	REVISIONS			
P	LTR	DESCRIPTION	DATE	DWN	APVD
DF	XO	B	REV PER 0G3D-0490-02	11-02	JMK JL

COMPONENT	MATERIAL	FINISH
HOUSING CAP COUPLING NUT	STAINLESS STEEL PER ASTM-A-484 OR ASTM-A-582 TYPE 303	PASSIVATED PER ASTM-A-380
DIELECTRIC	PTFE FLUOROCARBON PER ASTM-D-1457	-
CENTER CONTACT	BERYLLIUM COPPER PER ASTM-B-194 ALLOY C17200, CONDITION H	GOLD PLATED PER ASTM-B-488
GASKET	SILICONE RUBBER PER ZZ-R-765	-
FERRULE	COPPER OR BRASS ALLOY, ROCKWELL F65 MAX	GOLD PLATED PER ASTM-B-488
RETAINING RING	BERYLLIUM COPPER PER ASTM-B-194 ALLOY C17200, CONDITION H	-



ENVIRONMENTAL

TEMPERATURE RATING: -65°C TO +165°C
 VIBRATION: MIL-STD-202, METHOD 204, CONDITION D
 SHOCK: MIL-STD-202, METHOD 213, CONDITION 1
 MOISTURE RESISTANCE: MIL-STD-202, METHOD 106
 CORROSION: MIL-STD-202, METHOD 101, CONDITION B. 5% SALT SPRAY
 THERMAL SHOCK: MIL-STD-202, METHOD 107, CONDITION B EXCEPT HIGH TEMP 85°C

MECHANICAL

INTERFACE DIMENSIONS: MIL-STD-348A FIG. 310.1
 RECOMMENDED MATING TORQUE: 7-10 IN-LBS
 FORCE TO ENGAGE & DISENGAGE (IN-LBS MAX.): 2.0
 WEIGHT (GRAMS): TBD

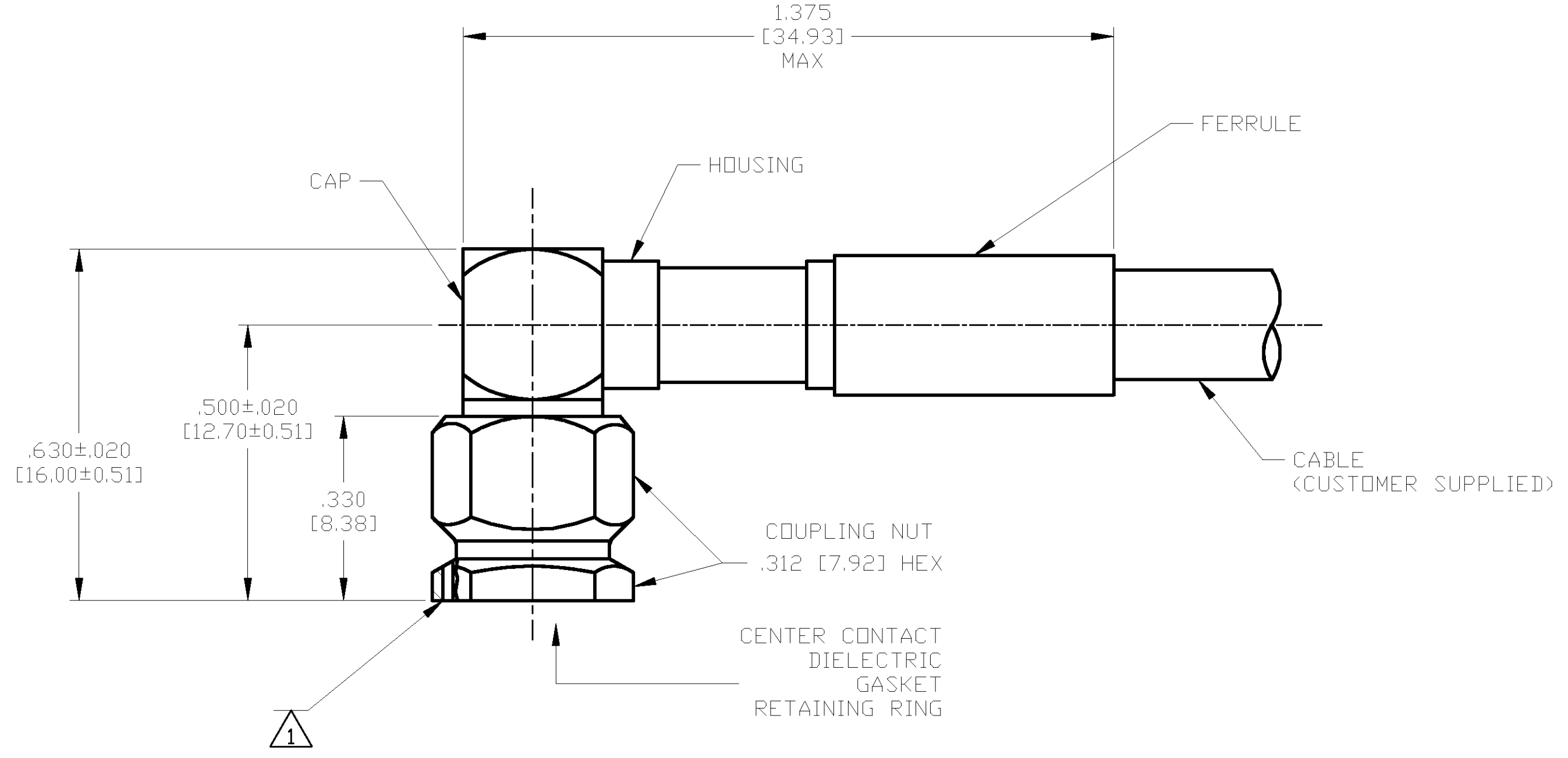
MATING CHARACTERISTICS:
 INSERTION (MAX LBS): N/A
 WITHDRAWAL (MIN OZ): N/A

CABLE RETENTION:
 AXIAL FORCE (LBS): 45 MIN
 TORQUE (IN-OZ): N/A

CENTER CONTACT CAPTIVATION:
 AXIAL (LBS): 6.0
 RADIAL (IN-OZ): N/A

ELECTRICAL

NORMAL IMPEDANCE (OHMS): 50
 FREQUENCY RANGE (GHz): DC TO 12.4
 VOLT RATING @ SEA LEVEL (VRMS MAX): 335
 VSWR: 1.15+.02f(GHz)
 INSERTION LOSS: (dB MAX): .06 √f(GHz)
 RF LEAKAGE (dB MIN): -60 @ 2-3 GHz
 CORONA 70,000 FT (VRMS MIN): 250
 DIELECTRIC WITHSTANDING VOLTAGE (VRMS MIN) AT SEA LEVEL: 1000
 I.R. (MEGOHMS MIN): 5,000
 RF HIGH POTENTIAL AT SEA LEVEL (VRMS MIN @ 5 MHz): 670
 CONTACT RESISTANCE (MILLIOHMS MAX):
 CENTER CONTACT: 4.0
 OUTER CONTACT: 2.0
 CABLE TO HOUSING: 0.5



ASSEMBLED VIEW

1 ∅.018 [0.46] LOCKWIRE HOLE, 3 PLACES EQUALLY SPACED.

DESIGNED TO USE RG-142/U OR EQUIVALENT
CABLE ENTRY DIAMETER MIN
HOUSING: .122 [3.10]
CONTACT: .039 [0.99]
FERRULE: .216 [5.48]

THIS DRAWING IS A CONTROLLED DOCUMENT.	
DIMENSIONS: INCHES [mm]	TOLERANCES UNLESS OTHERWISE SPECIFIED:
0 PLC ± -	1 PLC ± -
1 PLC ± -	2 PLC ± -
2 PLC ± -	3 PLC ± .005 [0.13]
3 PLC ± -	4 PLC ± -
4 PLC ± -	ANGLES ± -
MATERIAL SEE TABLE	FINISH SEE TABLE

DWN J. KAISER 9/24/02	 Tyco Electronics Corporation Harrisburg, PA 17105
CHK J. LIPPERT 11-20-02	
APVD J. LIPPERT 11-20-02	
PRODUCT SPEC	NAME SMA RIGHT ANGLE CABLE PLUG-CRIMP ATTACHMENT (M39012/56-3502) CAT D
APPLICATION SPEC	SIZE A2
408-4930	CAGE CODE 00779
WEIGHT TBD	DRAWING NO 1052178
CUSTOMER DRAWING	RESTRICTED TO
SCALE 5:1	SHEET 1 OF 1
REV B	

1052178

1052178-1
PART NO.