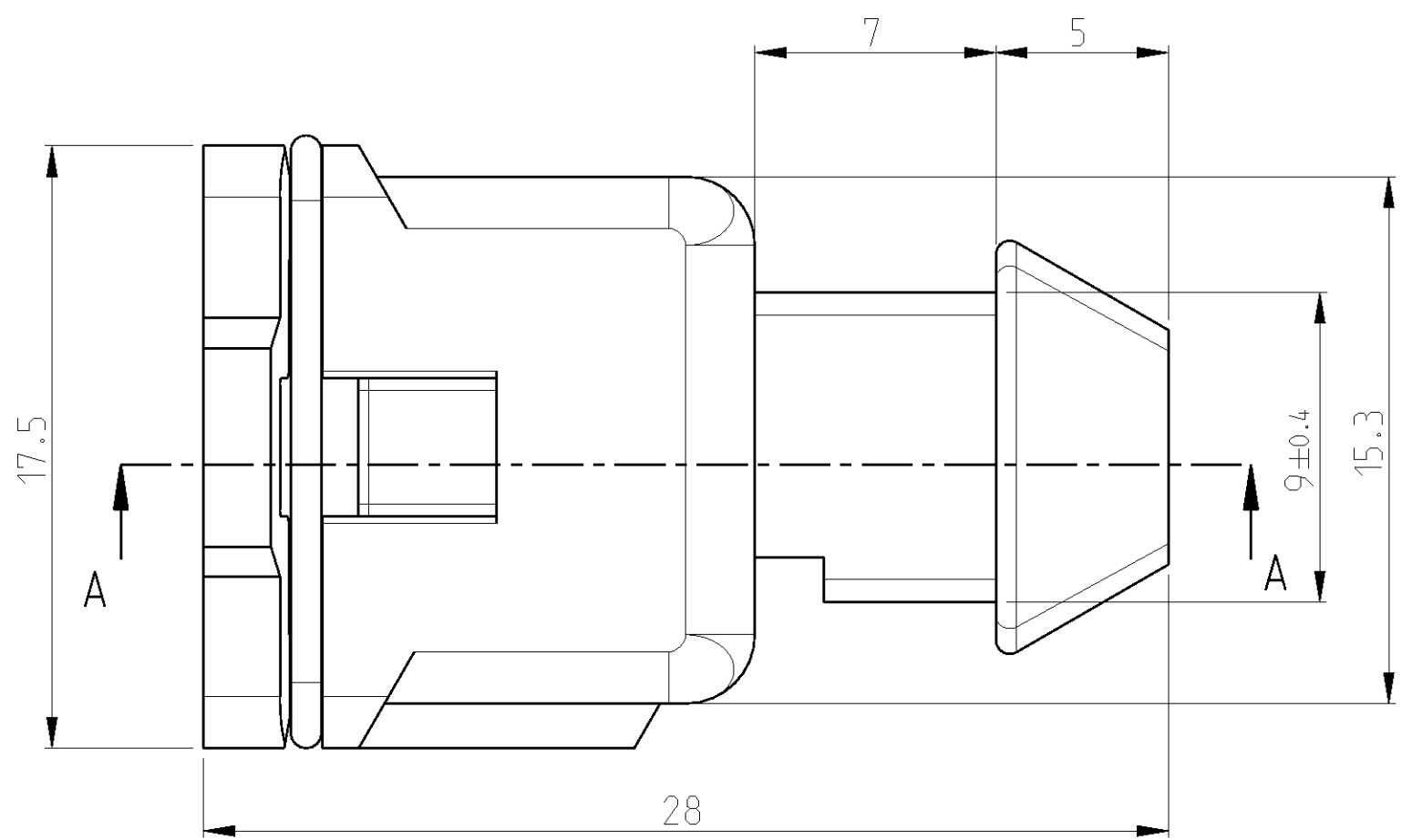
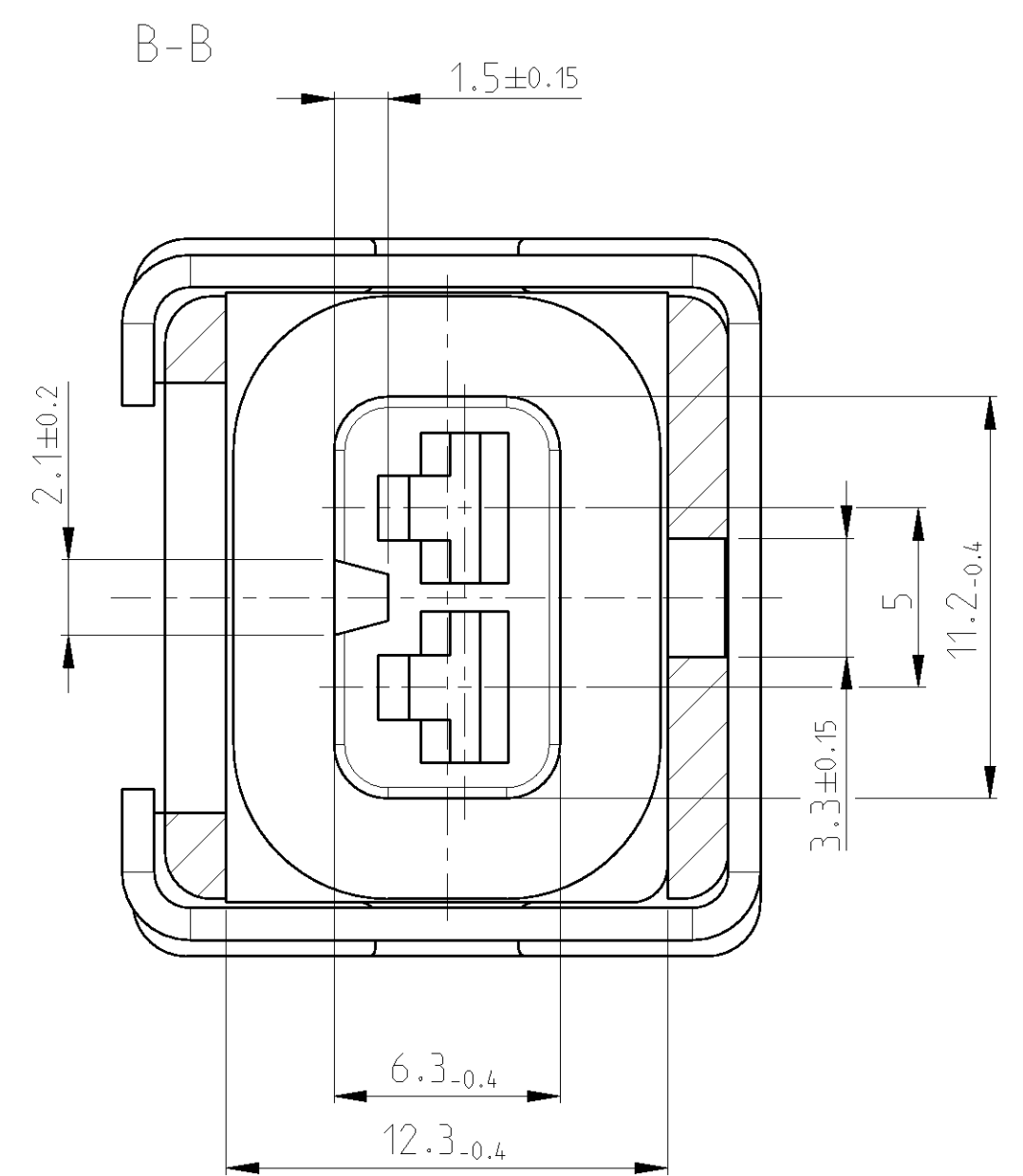
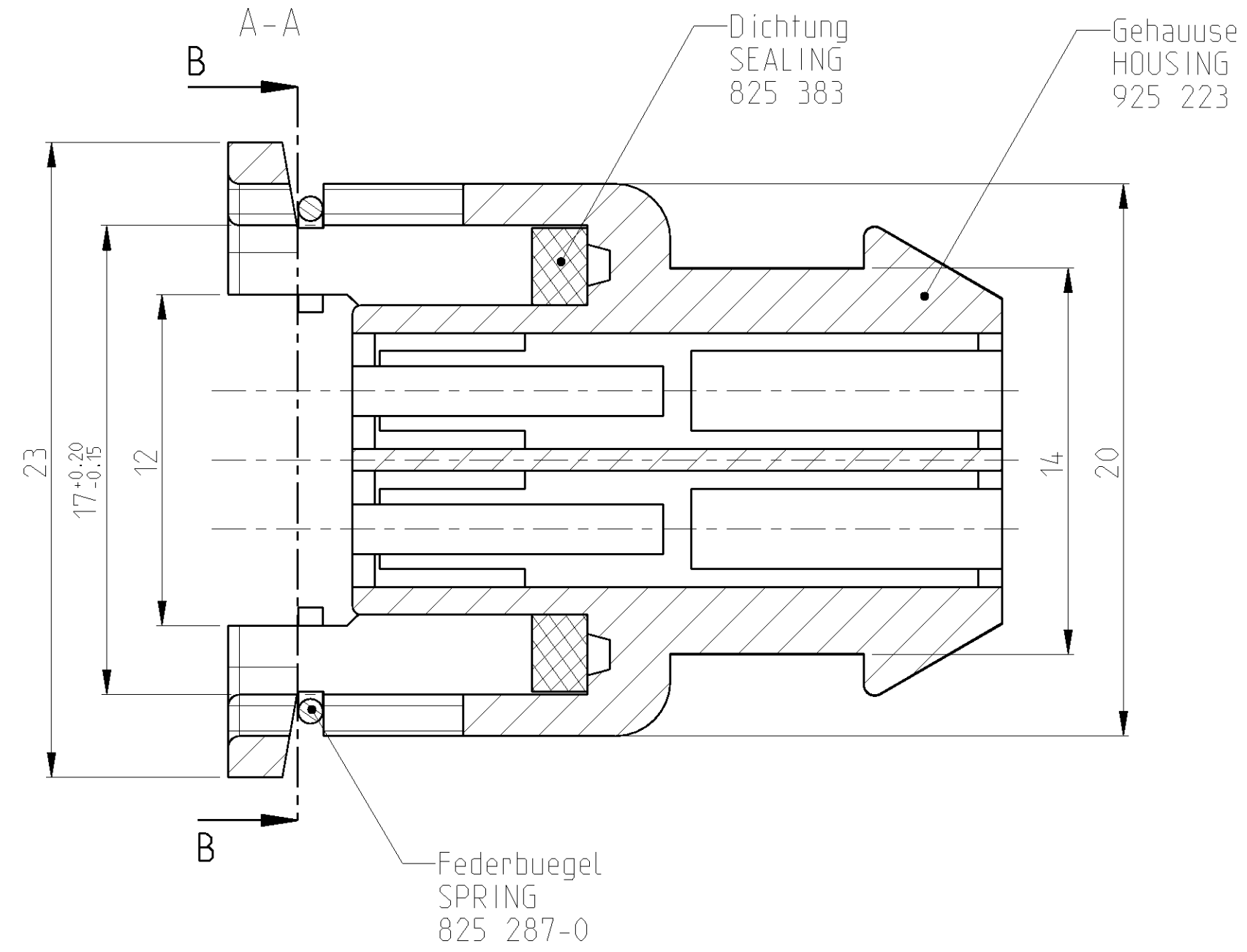


THIS DRAWING IS UNPUBLISHED. RELEASED FOR PUBLICATION 2012  
 © COPYRIGHT 2012 BY - ALL RIGHTS RESERVED.

LOC		DIST		REVISIONS			
P	LTR	DESCRIPTION	DATE	DWN	APVD		
	G3	Dimensions new attracted	22NOV2012	Ho.	Krauss		



3-825 414-6	BROWN	PA 6.6 GV 30	825 383-4
3-825 414-5	BLACK	PA 6.6 GV 30	825 383-4
3-825 414-3	BLUE	PA 6.6 GV 30	825 383-4
3-825 414-2	GREEN	PA 6.6 GV 30	825 383-4
3-825 414-1	GREY	PA 6.6 GV 30	825 383-4
3-825 414-0	CLEAR	PA 6.6 GV 30	825 383-4
2-825 414-6	BROWN	PA 6.6 GV 13	825 383-4
2-825 414-5	BLACK	PA 6.6 GV 13	825 383-4
2-825 414-3	BLUE	PA 6.6 GV 13	825 383-4
2-825 414-2	GREEN	PA 6.6 GV 13	825 383-4
2-825 414-1	GREY	PA 6.6 GV 13	825 383-4
2-825 414-0	CLEAR	PA 6.6 GV 13	825 383-4
1-825 414-6	BROWN	PA 6.6 GV 30	825 383-1
1-825 414-5	BLACK	PA 6.6 GV 30	825 383-1
1-825 414-3	BLUE	PA 6.6 GV 30	825 383-1
1-825 414-2	GREEN	PA 6.6 GV 30	825 383-1
1-825 414-1	GREY	PA 6.6 GV 30	825 383-1
1-825 414-0	CLEAR	PA 6.6 GV 30	825 383-1
825 414-6	BROWN	PA 6.6 GV 13	825 383-1
825 414-5	BLACK	PA 6.6 GV 13	825 383-1
825 414-3	BLUE	PA 6.6 GV 13	825 383-1
825 414-2	GREEN	PA 6.6 GV 13	825 383-1
825 414-1	GREY	PA 6.6 GV 13	825 383-1
825 414-0	CLEAR	PA 6.6 GV 13	825 383-1

THIS DRAWING IS A CONTROLLED DOCUMENT.

DWN Haas, C. 18 JUL 2006  
 CHK Stredak, F. 23 AUG 2006  
 APVD Bleicher, M. 25 AUG 2006

**STE** TE Connectivity

NAME ASSEMBLY FOR 2POS. FEMALE HSG. FOR JUNIOR-TIMER CONTACT  
 2 pol. Buchsengeh. fuer JT Kontakt

SIZE A2 CAGE CODE 00779 DRAWING NO. C=825414\_C RESTRICTED TO -

MATERIAL SEE TABLE FINISH - WEIGHT - SCALE 5:1 SHEET 1 OF 1 REV G3

Customer Drawing