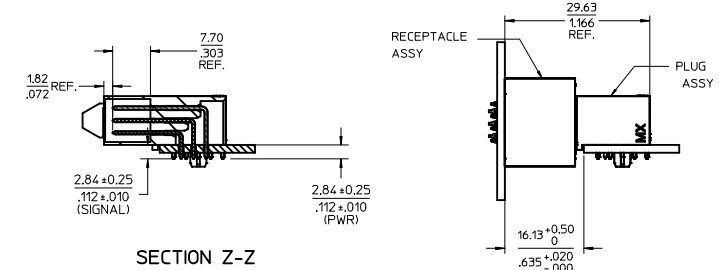
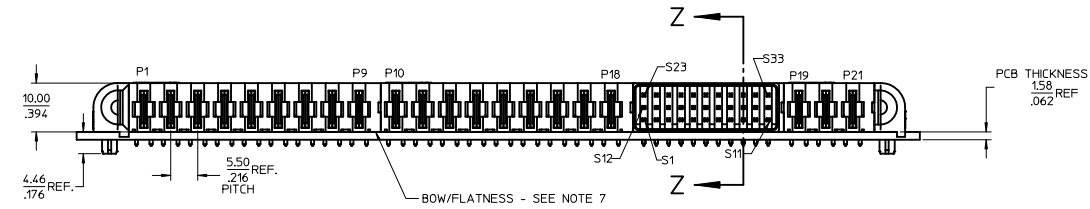


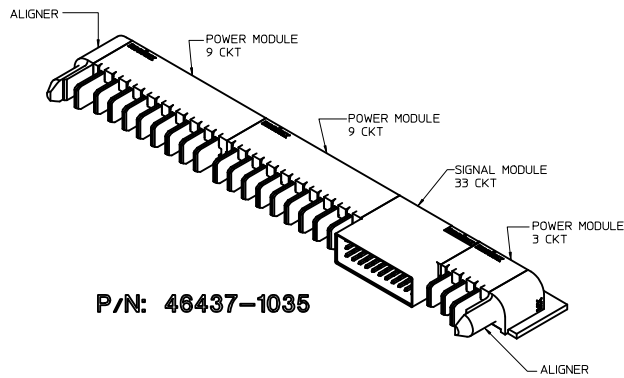
RECOMMENDED PCB LAYOUT AND KEEP-OUT ZONE



SECTION Z-Z

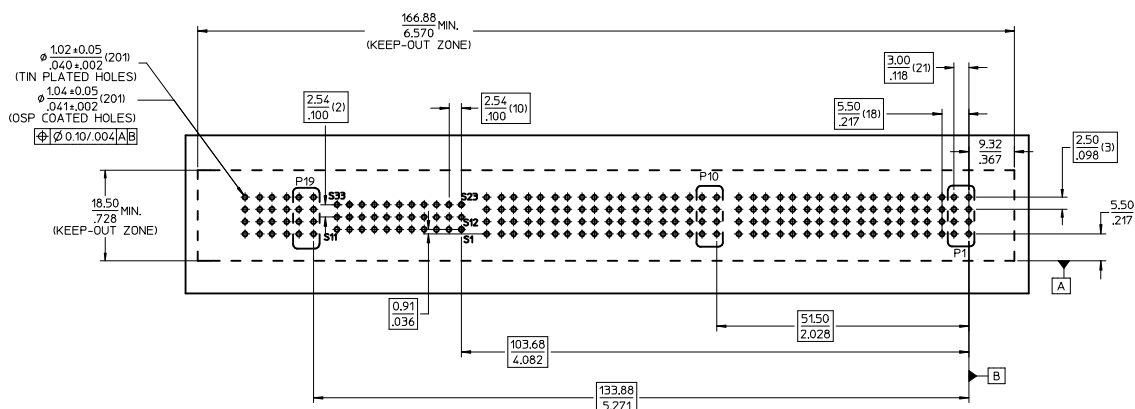
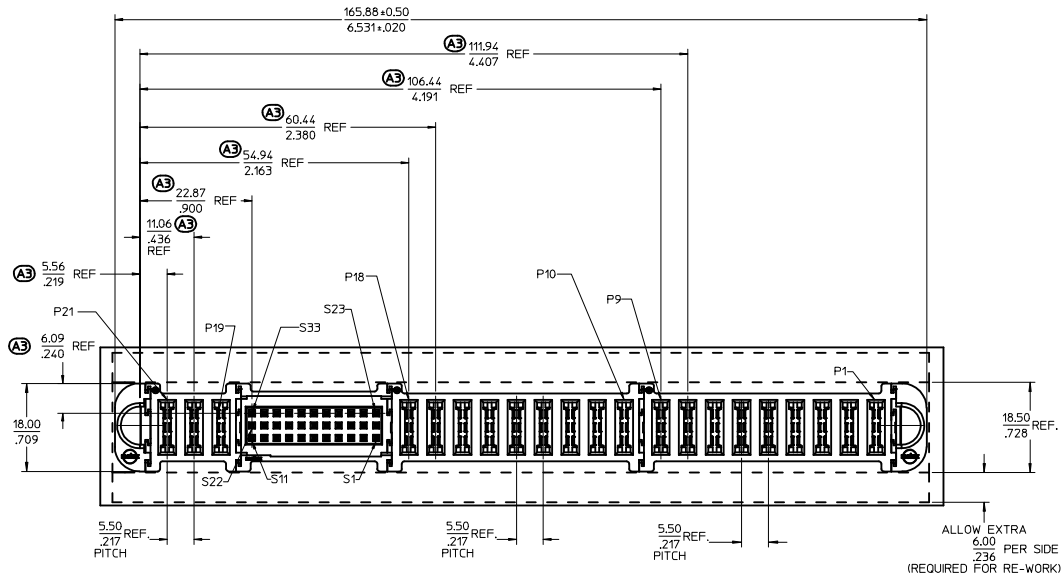
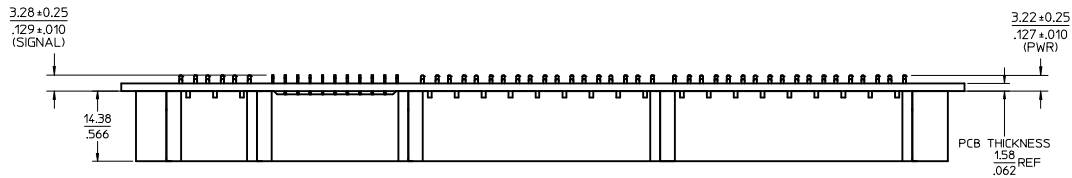
NOTES:

- MATERIAL:
  - HOUSINGS: HIGH TEMPERATURE PLASTIC (LCP OR EQUIVALENT)
  - TERMINALS: HIGH CONDUCTIVITY COPPER ALLOY
  - PLATING: .00127/.000050 NICKEL OVERALL WITH 0.00254/.000100 SELECTIVE TIN ON SOLDER TAILS AND 0.000762/.000030 SELECTIVE GOLD ON CONTACT AREA.
- PACKAGING: ASSEMBLIES TO BE TRAY PACKED PER PACKAGING SPEC PK-46437-XXX.
- INDIVIDUAL MODULES ARE RATED FOR VARIOUS VOLTAGE AND CURRENT RATINGS PER PS-46436-100.
- PC BOARD REQUIRES SOLDER THRU HOLES. REFER TO PS-46436-100 FOR DETAILS.
- PRODUCT TO MEET ROHS REQUIREMENTS.
- ASSEMBLY MATES TO MOLEX VERTICAL RECEPTACLE ASSEMBLY P/N: 46562-1035.
- BOW/FLATNESS - 0.12MM/25MM MAX.

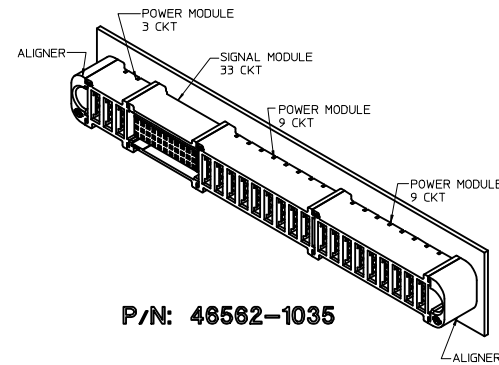


P/N: 46437-1035

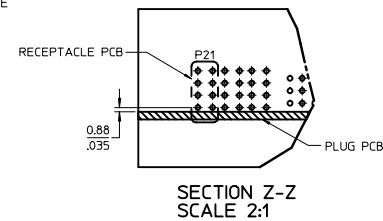
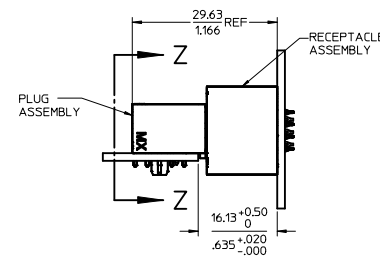
ADD NOTES EC NO. UCP2011-3951 DRAWN/DATE CHKD/DATE APPR/DATE	QUALITY SYMBOLS	GENERAL TOLERANCES (UNLESS SPECIFIED)		DIMENSION STYLE		SCALE	DESIGN UNITS	THIRD ANGLE PROJECTION	
		mm	INCH	MM/IN		2:1	METRIC	⊕	
REV DESCRIPTION	4 PLACES ± --- ± --- 3 PLACES ± --- ± .010 2 PLACES ± 0.25 ± .010 1 PLACE ± 0.25 ± ---	DRAWN BY DATE MKARADI/MAS 2008/05/12		CHECKED BY DATE KOSTIC 2008/05/15		APPROVED BY DATE PATEL 2008/05/15		TITLE IBM PLUG ASSY TEN60 POWER FAMILY 3DC-33S-9DC-9DC	
		DRAFT WHERE APPLICABLE MUST REMAIN WITHIN DIMENSIONS		MATERIAL NO. 46437-1035		DOCUMENT NO. SD-46437-135		SHEET NO. 1 OF 1	
		ANGULAR ±1/2°		MATERIAL NO. 46437-1035		DOCUMENT NO. SD-46437-135		SHEET NO. 1 OF 1	
		ANGULAR ±1/2°		MATERIAL NO. 46437-1035		DOCUMENT NO. SD-46437-135		SHEET NO. 1 OF 1	



RECOMMENDED PCB LAYOUT AND KEEP-OUT ZONE



P/N: 46562-1035



- NOTES:
- MATERIAL:
    - HOUSINGS: HIGH TEMPERATURE PLASTIC, BLACK, UL 94V-0 (LCP OR EQUIVALENT)
    - TERMINALS: HIGH CONDUCTIVITY COPPER ALLOY.
    - PLATING: 0.00127/.000050 NICKEL OVERALL WITH 0.00254/.000100 SELECTIVE TIN ON COMPLIANT PINS. AND 0.000762/.000030 SELECTIVE GOLD ON CONTACT AREA.
  - PACKAGING ASSEMBLIES TO BE TRAY PACKED PER PACKAGING SPEC PK-46562-001.
  - INDIVIDUAL MODULES ARE RATED FOR VARIOUS VOLTAGE AND CURRENT RATINGS PER PS-46436-100.
  - PC BOARD REQUIRES SOLDER THRU HOLES, SEE PS-46436-100 FOR DETAILS.
  - PRODUCT TO MEET RoHS REQUIREMENTS.
  - ASSEMBLY MATES WITH PLUG ASSEMBLY, P/N 46437-1035.

ADD DIMENSIONS IEC NO: UCF2010-0421 DRAWN: JUILLES 2009/09/15 CHYK: 2009/09/16 APPR: APATEL 2009/09/23 REV:	QUALITY SYMBOLS	GENERAL TOLERANCES (UNLESS SPECIFIED)	DIMENSION STYLE	SCALE	DESIGN UNITS	THIRD ANGLE PROJECTION	
		mm INCH	MM/IN	2:1	METRIC	☉	
		4 PLACES ± --- ± ---	DRAWN BY DATE				TITLE
		3 PLACES ± --- ± .010	CHKD BY DATE				RECEPTACLE ASSY TEN60 POWER FAMILY 3DC-33S-9DC-9DC
	2 PLACES ± 0.25 ± .010	APPROVED BY DATE				MATERIAL NO. DOCUMENT NO.	
	1 PLACE ± 0.25 ± ---					46562-1035 SD-46562-135	
	ANGULAR ± 1/2°					SHEET NO.	
	DRAFT WHERE APPLICABLE MUST REMAIN WITHIN DIMENSIONS					1 OF 1	