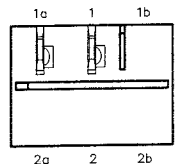
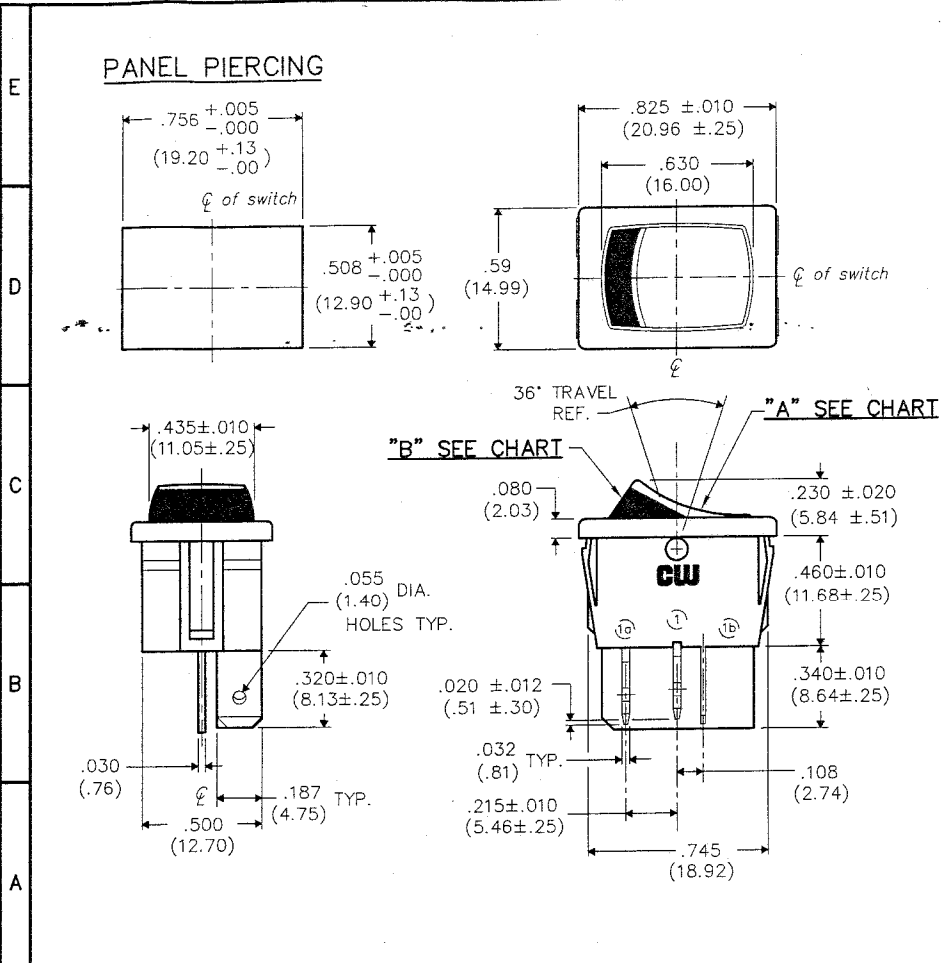



DIMENSIONS IN INCHES (MILLIMETERS)
DO NOT SCALE DRAWING

Dwg. No.
GRSV-4011-0131 THRU -0133



**BOTTOM VIEW
(RELOCATED)**

PART NUMBER	HOUSING COLOR	BUTTON COLOR "A" / "B"	CIRCUIT	RATING	UL & CSA
CW # - GRSV-4011-0131	BLACK BK-000	BLACK BK-000/GRAY GY-835	SPST	8A 125V AC	APPROVED
ELECTROLUX # - 316448700	EWC 7802	EWC 7802/NCS-3502-B		4A 250V AC 3A 277V AC	
CW # - GRSV-4011-0132	WHITE WT-901	WHITE WT-901/GRAY GY-836	SPST	8A 125V AC	APPROVED
ELECTROLUX # - 316448701	EWC 7804	EWC 7804/NCS-7502-B		4A 250V AC 3A 277V AC	
CW # - GRSV-4011-0133	BISQUE BN-129	BISQUE BN-129/BROWN-GRAY GY-837	SPST	8A 125V AC	APPROVED
ELECTROLUX # - 316448702	EWC 7004	EWC 7004/NCS-7005-Y20R		4A 250V AC 3A 277V AC	

B-FORMAT 2002 REVISIONS 0 RELEASED: 8-10-2005 DGW AUG 11 2005	 CW INDUSTRIES Southampton, Pa. 18966							Title: 2 COLOR ROCKER SWITCH ASSEMBLY (POP IN) S.P. - S.T.	
	TOLERANCES UNLESS OTHERWISE SPECIFIED 2 Place Decimal $\pm .010$ METRIC 3 Place Decimal $\pm .005$ 1 Place Dec. $\pm .25$ mm Angles $\pm 1^\circ$ 2 Place Dec. $\pm .13$ mm							Division: SWITCH	
	Made for: CW IND.							Dwg. No.	
	Drawn by: DGW 8-10-2005 Checked by: <i>R. Sib</i> 8-11-2005 Approved: <i>R. Sib</i> 8-11-2005							GRSV-4011-0131 THRU -0133	