

CODE 30 - BRAID TAIL BACKSHELL

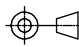


211M510-19B05

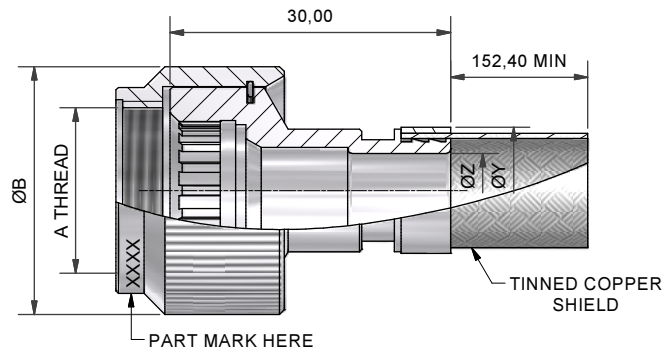
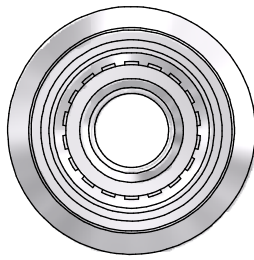
SERIES _____
 SHELL SIZE (TABLE 1) _____
 MATERIAL _____
 REFER TO CH00-0250-004
 FINISH _____
 REFER TO CH00-0250-004
 ENTRY SIZE (TABLE 2) _____

NOTES:

1. THIS PRODUCT IS DESIGNED TO TERMINATE A HEAT SHRINKABLE LIPPED BOOT TO A CONNECTOR.
2. FOR ADDITIONAL DIMENSIONS, ORDERING INFORMATION AND MODIFICATIONS, SEE CH00-0250-004
3. BACKSHELL TO BE PERMANENTLY MARKED/BAGGED AND LABELLED WITH CODE IDENTIFICATION NUMBER AND PART NUMBER. (e.g. 06090-211M510-19B05).
- ④ FOR LARGER ENTRY SIZES, A 2 PIECE ADAPTER (TYPE II) IS SUPPLIED.
5. BRAID TERMINATION RING MAY BE SUPPLIED AS TINEL-LOCK SHAPE MEMORY RING AT MANUFACTURERS OPTION.
6. BACKSHELL MATES TO MIL-C-28840, M28840/10, /11, /14 & /16

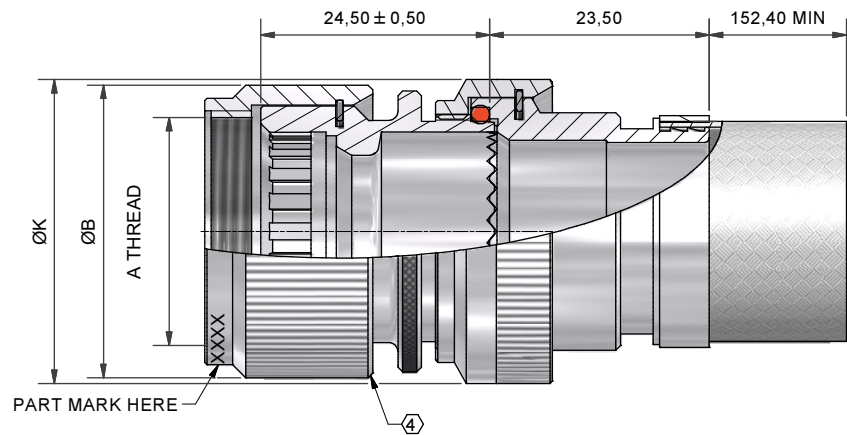
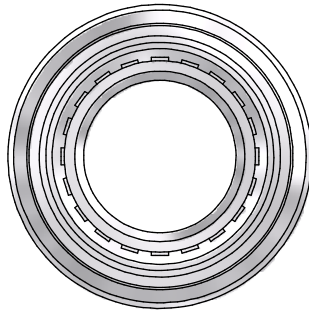
If this document is printed it becomes uncontrolled. Check for the latest revision

DRAWN	K.WINCZURA	DATE 29/04/2015	 3RD ANGLE PROJECTION NOT TO SCALE	TITLE: <div style="text-align: center; font-size: 1.2em;">BRAID TAIL BACKSHELL</div>	 Polamco  connectivity												
CHECKED		29/04/2015	UNLESS OTHERWISE SPECIFIED ALL DIMENSIONS IN MILLIMETRES GENERAL TOL LINEAR +/-0.25MM ANGULAR +/- 1°	ASSY USED ON: <div style="text-align: center; font-size: 1.2em;">MIL-DTL-28840/10, /11, /14 & /16</div>													
APPROVED	K.SHEPPARD	08/05/2015		REVISIONS													
APPROVED	H.SMITH	02/09/2015	<table border="1" style="width: 100%; border-collapse: collapse;"> <thead> <tr> <th style="width: 5%;">LTR</th> <th style="width: 45%;">DESCRIPTION</th> <th style="width: 20%;">DATE</th> <th style="width: 30%;">APPROVED</th> </tr> </thead> <tbody> <tr> <td>G</td> <td>REVISED PER ECN AD93084</td> <td>24/05/1993</td> <td></td> </tr> <tr> <td>H</td> <td>REVISED PER ECO-15-012672</td> <td>02/09/2015</td> <td>H.SMITH</td> </tr> </tbody> </table>	LTR	DESCRIPTION	DATE	APPROVED	G	REVISED PER ECN AD93084	24/05/1993		H	REVISED PER ECO-15-012672	02/09/2015	H.SMITH		
LTR	DESCRIPTION	DATE	APPROVED														
G	REVISED PER ECN AD93084	24/05/1993															
H	REVISED PER ECO-15-012672	02/09/2015	H.SMITH														
TE CAGE CODE: 06090 POLAMCO/TE CAGE CODE: U5792				TE CONNECTIVITY - POLAMCO LTD RESERVES THE RIGHT TO AMEND THIS DRAWING AND THE INFORMATION SET FORTH HEREON AT ANY TIME. USERS SHOULD INDEPENDENTLY EVALUATE THE SUITABILITY OF THE PRODUCT FOR THEIR APPLICATION.	DRAWING NO: <div style="font-size: 1.2em;">211M5XX</div>	DRAWING REV: <div style="font-size: 1.2em;">H</div>	SHT <div style="font-size: 1.2em;">1</div>										



STRAIGHT BACKSHELL - TYPE 1

IF THE MAX ENTRY IS EXCEEDED BACKSHELL
WILL BE SUPPLIED AS TYPE 2



STRAIGHT BACKSHELL - TYPE 2

TABLE 1

ORDER NUMBER	SHELL SIZE		A THREAD	ØB MAX	MAX ENTRY
	COM'L	MIL			
10	11	A	3/4 - 20UNEF	26,5	05
12	13	B	7/8 - 20UNEF	29,7	08
14	15	C	1 - 20UNEF	31,3	10
16	17	D	1 1/8 - 18 UNEF	35,5	12
18	19	E	1 1/4 - 18UNEF	38,7	14
22	23	F	1 7/16 -18UNEF	43,6	16
24	25	G	1 9/16 -18UNEF	47,2	18
28	29	H	1 7/8 - 16UN	55,2	22
32	33	J	2 1/16 -16UN	60,5	24

TABLE 2

ENTRY SIZE	ØK MAX	ØZ REF	ØY REF
03	NA	4,77	13,1
04	NA	6,35	13,1
05	21,0	7,92	13,1
06	21,0	9,52	17,9
07	21,0	11,12	17,9
08	24,5	12,70	17,9
09	24,5	14,27	17,9
10	29,0	15,87	24,2
11	32,5	17,47	24,2
12	32,5	19,05	24,2
13	35,5	20,62	24,2
14	35,5	22,23	30,6
15	37,0	23,82	30,6
16	37,0	25,40	30,6
17	40,0	26,98	33,2
18	40,0	28,60	33,2
20	43,5	31,80	42,0
21	48,5	33,34	42,0
22	48,5	35,00	42,0
24	52,1	38,10	42,0
28	58,5	44,45	49,0

If this document is printed it becomes uncontrolled. Check for the latest revision

<table border="1"> <tr><td>DRAWN</td><td>K.WINCZURA</td><td>DATE</td><td>29/04/2015</td></tr> <tr><td>CHECKED</td><td></td><td>DATE</td><td>29/04/2015</td></tr> <tr><td>APPROVED</td><td>K.SHEPPARD</td><td>DATE</td><td>08/05/2015</td></tr> <tr><td>APPROVED</td><td>H.SMITH</td><td>DATE</td><td>02/09/2015</td></tr> </table>	DRAWN	K.WINCZURA	DATE	29/04/2015	CHECKED		DATE	29/04/2015	APPROVED	K.SHEPPARD	DATE	08/05/2015	APPROVED	H.SMITH	DATE	02/09/2015	<p>3RD ANGLE PROJECTION NOT TO SCALE</p>	<p>TITLE:</p> <h2>BRAID TAIL BACKSHELL</h2>	<p>Polamco</p> <p>TE connectivity</p>
DRAWN	K.WINCZURA	DATE	29/04/2015																
CHECKED		DATE	29/04/2015																
APPROVED	K.SHEPPARD	DATE	08/05/2015																
APPROVED	H.SMITH	DATE	02/09/2015																
<p>UNLESS OTHERWISE SPECIFIED ALL DIMENSIONS IN MILLIMETRES GENERAL TOL LINEAR +/-0,25MM ANGULAR +/- 1°</p>		<p>ASSY USED ON:</p> <h3>MIL-DTL-28840/10, /11, /14 & /16</h3>																	
<p>REVISIONS</p> <table border="1"> <thead> <tr> <th>LTR</th> <th>DESCRIPTION</th> <th>DATE</th> <th>APPROVED</th> </tr> </thead> <tbody> <tr> <td>G</td> <td>REVISED PER ECN AD93084</td> <td>24/05/1993</td> <td></td> </tr> <tr> <td>H</td> <td>REVISED PER ECO-15-012672</td> <td>02/09/2015</td> <td>H.SMITH</td> </tr> </tbody> </table>				LTR	DESCRIPTION	DATE	APPROVED	G	REVISED PER ECN AD93084	24/05/1993		H	REVISED PER ECO-15-012672	02/09/2015	H.SMITH				
LTR	DESCRIPTION	DATE	APPROVED																
G	REVISED PER ECN AD93084	24/05/1993																	
H	REVISED PER ECO-15-012672	02/09/2015	H.SMITH																
<p>TE CAGE CODE: 06090 POLAMCO/TE CAGE CODE: U5792</p>		<p>TE CONNECTIVITY - POLAMCO LTD RESERVES THE RIGHT TO AMEND THIS DRAWING AND THE INFORMATION SET FORTH HEREON AT ANY TIME. USERS SHOULD INDEPENDENTLY EVALUATE THE SUITABILITY OF THE PRODUCT FOR THEIR APPLICATION.</p>	<p>DRAWING NO: 211M5XX</p>																
		<p>DRAWING REV: H</p>	<p>SHT 2</p>																