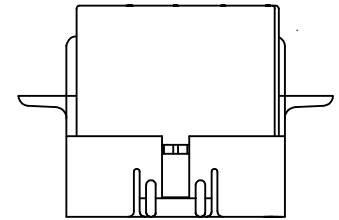
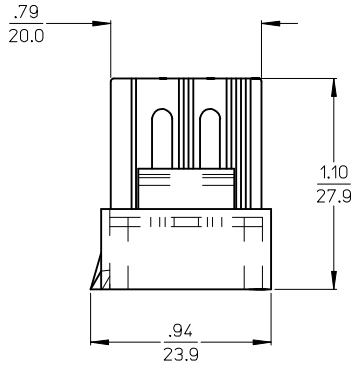
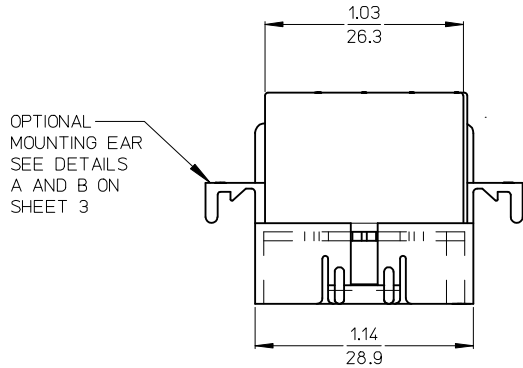
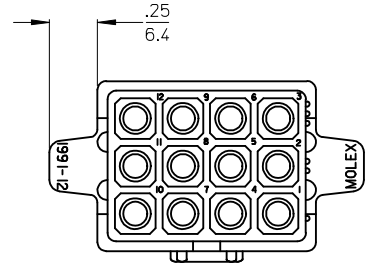
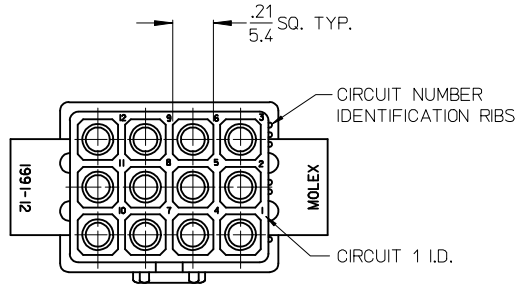
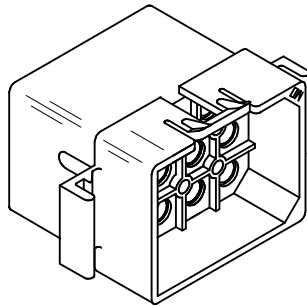
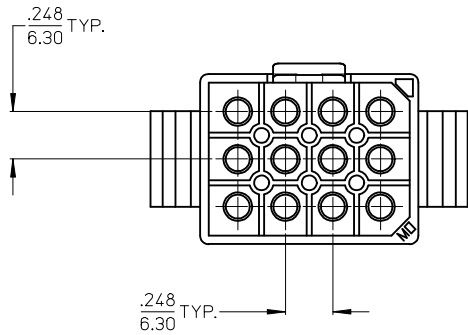


# PLUG

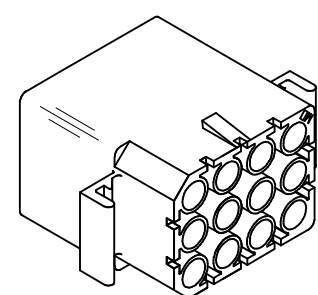
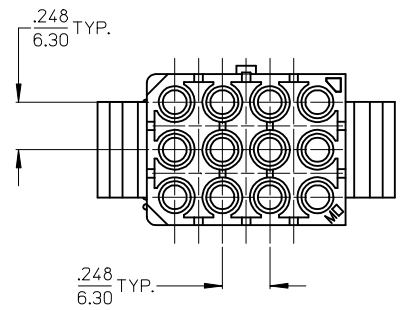
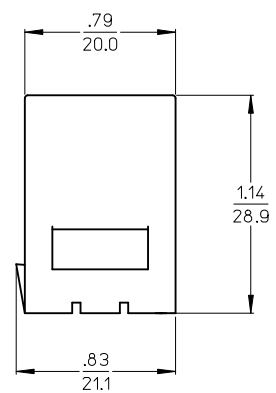
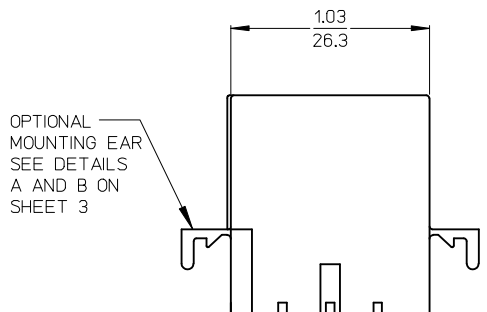
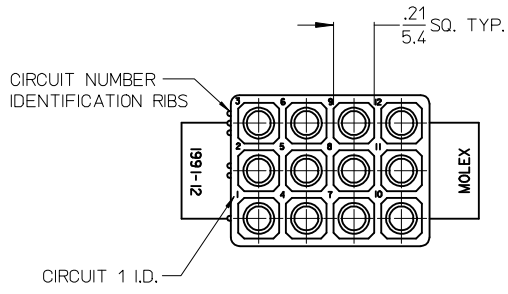


OPTIONAL PULL TAB  
1991-12PBK SHOWN



REMOVE -12P, -12R2 EC NO: UCP2014-3949 DRWIN/KIPPER 2014/03/28 CHKD:ANDERSON 2014/03/28 APPR:FSMITH 2014/06/10	DESCRIPTION 1991-12	QUALITY SYMBOLS	GENERAL TOLERANCES (UNLESS SPECIFIED)	DIMENSION STYLE	SCALE	DESIGN UNITS	THIRD ANGLE PROJECTION																			
		$\nabla = 0$ $\nabla = 0$ $\nabla = 0$	<table border="1"> <thead> <tr> <th></th> <th>mm</th> <th>INCH</th> </tr> </thead> <tbody> <tr> <td>4 PLACES</td> <td>± .005</td> <td>± .0004</td> </tr> <tr> <td>3 PLACES</td> <td>± .005</td> <td>± .010</td> </tr> <tr> <td>2 PLACES</td> <td>± 0.25</td> <td>± .014</td> </tr> <tr> <td>1 PLACE</td> <td>± 0.35</td> <td>± .014</td> </tr> <tr> <td>0 PLACE</td> <td>± .005</td> <td>± .0004</td> </tr> </tbody> </table>		mm	INCH	4 PLACES	± .005	± .0004	3 PLACES	± .005	± .010	2 PLACES	± 0.25	± .014	1 PLACE	± 0.35	± .014	0 PLACE	± .005	± .0004	IN/MM	2:1	INCH	DRAWN BY: KBW DATE: 1989/04/25 CHECKED BY: RW DATE: 1989/04/25 APPROVED BY: FSMITH DATE: 2014/06/10	TITLE .093/(2.36) HOUSINGS PLUG & RECEPTACLE 12 CKT .248/(6.30) CENTERS <b>molex</b>
			mm	INCH																						
		4 PLACES	± .005	± .0004																						
3 PLACES	± .005	± .010																								
2 PLACES	± 0.25	± .014																								
1 PLACE	± 0.35	± .014																								
0 PLACE	± .005	± .0004																								
ANGULAR ±1/2° DRAFT WHERE APPLICABLE MUST REMAIN WITHIN DIMENSIONS	MATERIAL NO. <b>SEE CHART</b>	DOCUMENT NO. SD-1991-12*	SHEET NO. 1 OF 3																							
THIS DRAWING CONTAINS INFORMATION THAT IS PROPRIETARY TO MOLEX INCORPORATED AND SHOULD NOT BE USED WITHOUT WRITTEN PERMISSION																										

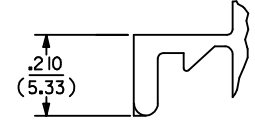
# RECEPTACLE



SEE SHEET 1 EC NO: UCP2014-3949 DRAWN: KIPPER 2014/03/28 CHKD: BANDERSON 2014/03/28 APPR: FSMITH 2014/06/10	QUALITY SYMBOLS	GENERAL TOLERANCES (UNLESS SPECIFIED)		DIMENSION STYLE	SCALE	DESIGN UNITS	THIRD ANGLE PROJECTION
	▽=0	mm	INCH	IN/MM	2:1	INCH	
	▽=0	4 PLACES ± --- ± ---		DRAWN BY	DATE	TITLE	
	▽=0	3 PLACES ± --- ± .010		KBW	1989/04/25	.093/(2.36) HOUSINGS PLUG & RECEPTACLE 12 CKT .248/(6.30) CENTERS	
▽=0	2 PLACES ± 0.25 ± .014		CHECKED BY	DATE	<b>molex</b> SD-1991-12*		SHEET NO.
	1 PLACE ± 0.35 ± ---		RW	1989/04/25			2 OF 3
	0 PLACE ± --- ± ---		APPROVED BY	DATE			
			FSMITH	2014/06/10			
			ANGULAR ±1/2°		MATERIAL NO.		DOCUMENT NO.
			DRAFT WHERE APPLICABLE MUST REMAIN WITHIN DIMENSIONS		SEE CHART		
					SIZE C		THIS DRAWING CONTAINS INFORMATION THAT IS PROPRIETARY TO MOLEX INCORPORATED AND SHOULD NOT BE USED WITHOUT WRITTEN PERMISSION

PLUG		
ORDER NO	ENG NO	PKG. INFORMATION
I9 -09-2 I22	I991-I2P2	PK-1991-002
I9 -09-7 I21	I991-I2PBK	PK-1991-001
- -	-	-
- -	-	-

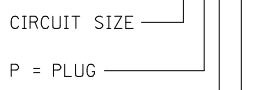
RECEPTACLE		
ORDER NO	ENG NO	PKG. INFORMATION
I9 -09-1 I22	I991-I2R1	PK-1991-002
I9 -09-6 I21	I991-I2R2BK	PK-1991-001
I9 -09-6 I22	I991-I2R1BK	PK-1991-001
- -	-	-
- -	-	-



**DETAIL A**  
STANDARD MOUNTING EAR  
(SCALE 4:1)

PLUG LEGEND

I991-I2\*\*\*\*



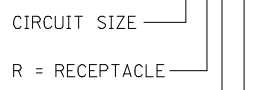
- BLANK = WITH PULL TABS
- 1 = WITHOUT EARS/WITHOUT PULL TABS
- 2 = WITH STANDARD EARS
- 3 = WITH PREBENT EARS

COLOR: \_\_\_\_\_

BLANK = NATURAL COLOR  
 AM = AMBER BK = BLACK BU = BLUE  
 BN = BROWN GY = GRAY GN = GREEN  
 OR = ORANGE RD = RED YW = YELLOW

RECEPTACLE LEGEND

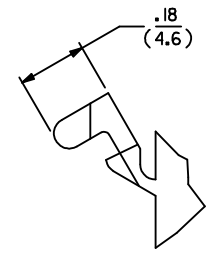
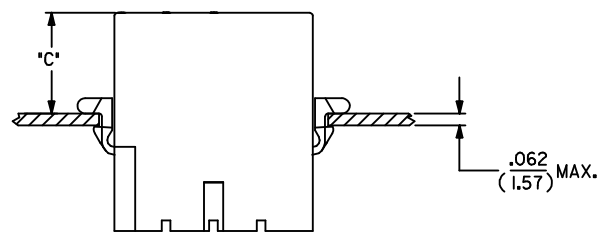
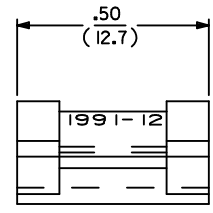
I991-I2\*\*\*\*



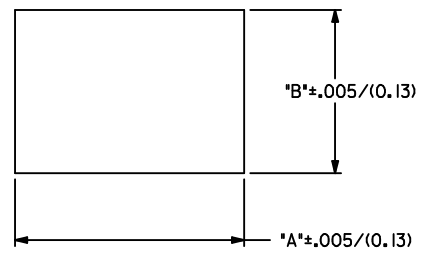
- 1 = WITHOUT EARS
- 2 = WITH STANDARD EARS
- 3 = WITH PREBENT EARS

COLOR: \_\_\_\_\_

BLANK = NATURAL COLOR  
 AM = AMBER BK = BLACK BU = BLUE  
 BN = BROWN GY = GRAY GN = GREEN  
 OR = ORANGE RD = RED YW = YELLOW



**DETAIL B**  
PREBENT MOUNTING EAR  
(SCALE 4:1)



RECOMMENDED PANEL OPENING

HOUSING	DIM. *A*	DIM. *B*	*C* PREBENT EAR	*C* STANDARD EAR
PLUG	1.300/(33.02)	.910/(23.11)	.31/(7.9)	.30/(7.6)
RECEPT.	1.194/(30.33)	.850/(21.60)	.54/(13.7)	.53/(13.5)

- NOTES:
- MATERIAL: NYLON TYPE 6/6, 94V-2
  - FINISH: N/A
  - PRODUCT SPECIFICATION: PS-02-09
  - PACKAGING INFORMATION: SEE CHART
  - HOUSINGS FOR USE WITH MOLEX STANDARD .093/(2.36) TYPE TERMINALS.
  - PARTS CONFORM TO CLASS B REQUIREMENTS OF COSMETIC SPECIFICATION PS-45499-002.

SEE SHEET 1 EC NO: UCP2014-3949 DRW:MKIPPER 2014/03/28 CHKD:ANDERSON 2014/03/28 APPR:FSMITH 2014/06/10	QUALITY SYMBOLS ∇=0 ∇=0 ∇=0	GENERAL TOLERANCES (UNLESS SPECIFIED)		DIMENSION STYLE IN/MM		SCALE 2:1	DESIGN UNITS INCH	THIRD ANGLE PROJECTION																				
		<table border="1"> <thead> <tr> <th></th> <th>mm</th> <th>INCH</th> </tr> </thead> <tbody> <tr> <td>4 PLACES</td> <td>± .---</td> <td>± .---</td> </tr> <tr> <td>3 PLACES</td> <td>± .---</td> <td>± .010</td> </tr> <tr> <td>2 PLACES</td> <td>± 0.25</td> <td>± .014</td> </tr> <tr> <td>1 PLACE</td> <td>± 0.35</td> <td>± .---</td> </tr> <tr> <td>0 PLACE</td> <td>± .---</td> <td>± .---</td> </tr> </tbody> </table>			mm	INCH	4 PLACES	± .---	± .---	3 PLACES	± .---	± .010	2 PLACES	± 0.25	± .014	1 PLACE	± 0.35	± .---	0 PLACE	± .---	± .---	DRAWN BY KBW		DATE 1989/04/25	TITLE .093/(2.36) HOUSINGS PLUG & RECEPTACLE 12 CKT .248/(6.30) CENTERS <b>molex</b>			
			mm	INCH																								
		4 PLACES	± .---	± .---																								
3 PLACES	± .---	± .010																										
2 PLACES	± 0.25	± .014																										
1 PLACE	± 0.35	± .---																										
0 PLACE	± .---	± .---																										
ANGULAR ±1/2° DRAFT WHERE APPLICABLE MUST REMAIN WITHIN DIMENSIONS		CHECKED BY RW		DATE 1989/04/25																								
MATERIAL NO.		APPROVED BY FSMITH		DATE 2014/06/10		DOCUMENT NO. SD-1991-12*																						
SIZE C		THIS DRAWING CONTAINS INFORMATION THAT IS PROPRIETARY TO MOLEX INCORPORATED AND SHOULD NOT BE USED WITHOUT WRITTEN PERMISSION																										