

4

3

2

1

THIS DRAWING IS UNPUBLISHED.

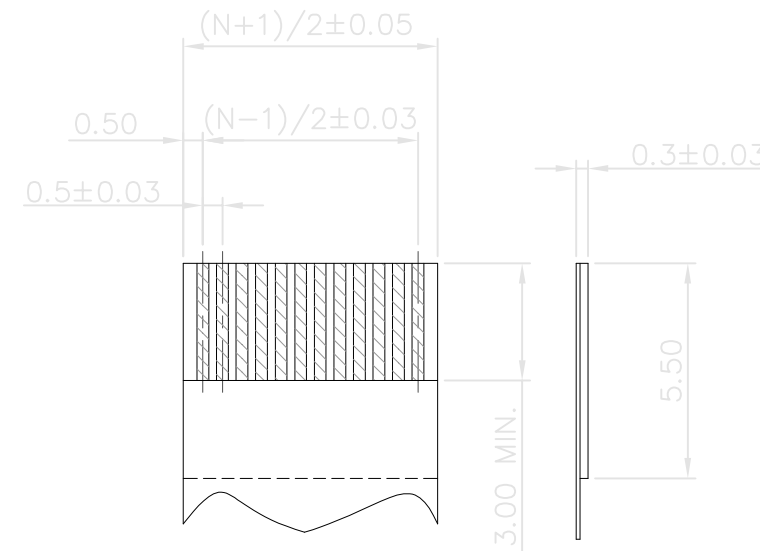
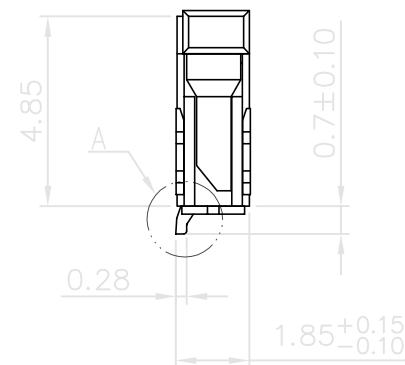
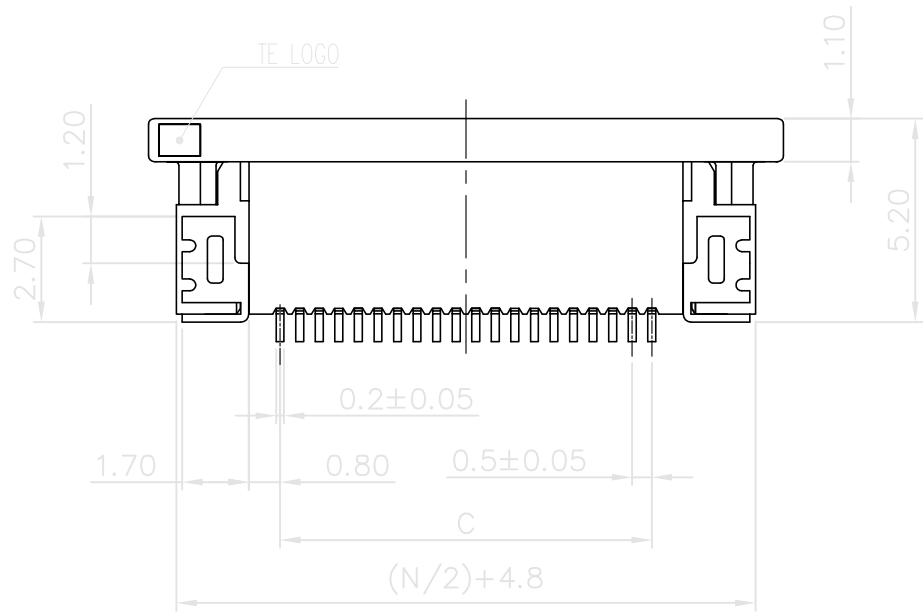
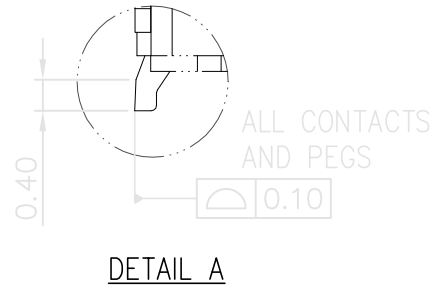
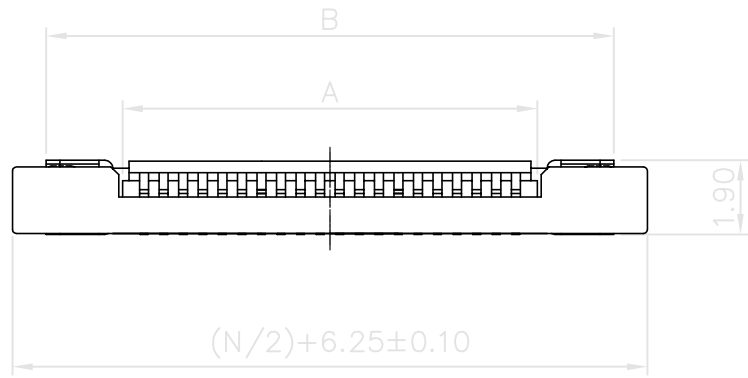
RELEASED FOR PUBLICATION

© COPYRIGHT BY TYCO ELECTRONICS CORPORATION. ALL RIGHTS RESERVED.

LOC	DIST	REVISIONS					
		P	LTR	DESCRIPTION	DATE	DWN	APVD
DW	-	D		ECR-16-000235	18FEB16	HX	WK

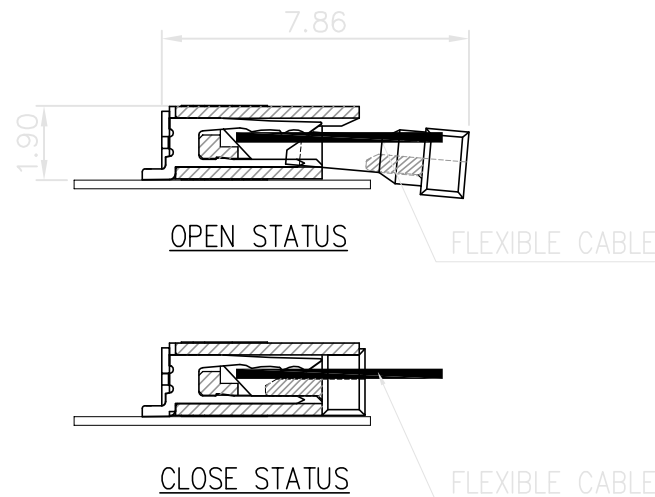
NOTES:

- MATERIAL:**
HOUSING: PA6T, 30% GF, UL94 V-0, NATURAL COLOR.
ACTUATOR: PPS, 40% GF, UL94 V-0, BLACK COLOR.
CONTACTS: PHOSPHOR BRONZE.
PEGS: BRASS.
- FINISH:**
CONTACTS: GOLD FLASH OVER 1.27µm [50µ"] MIN. NICKEL ON ENTIRE CONTACT.
PEGS: 2.54µm [100µ"] MIN. MATTE-TIN OVER 1.27µm [50µ"] MIN. NICKEL.
- REFLOW SOLDER CAPABLE TO 260°C PER TEC-109-201, METHOD B, CONDITION B.
- SUBSTANCE RESTRICTIONS FOR LOW HALOGEN (BY WEIGHT):**
 - BROMINE (Br) ≤ 900 PPM (0.09%)
 - CHLORINE (Cl) ≤ 900 PPM (0.09%)
 - TOTAL (Cl) + (Br) ≤ 1500 PPM (0.15%)

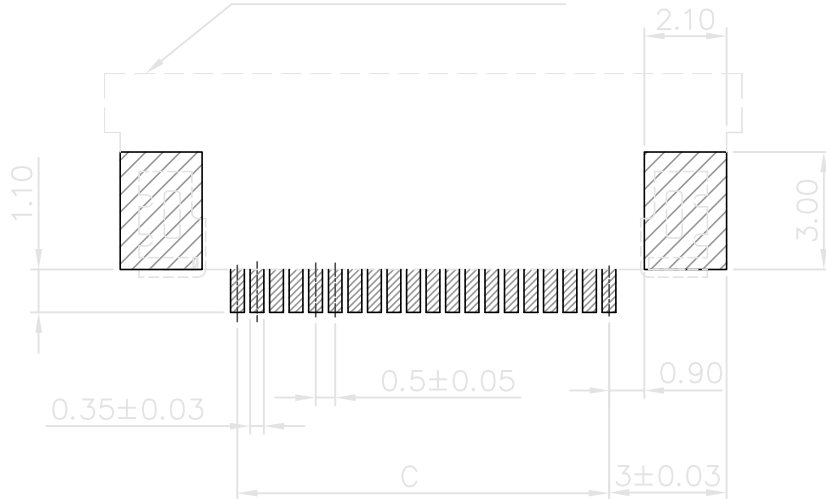


OBSOLETE	26.0	31.01	27.10	53	5-1775322-3
OBSOLETE	24.5	29.51	25.60	50	5-1775322-0
OBSOLETE	23.5	28.51	24.60	48	4-1775322-8
OBSOLETE	22.5	27.51	23.60	46	4-1775322-6
OBSOLETE	22.0	27.01	23.10	45	4-1775322-5
OBSOLETE	19.5	24.51	20.60	40	4-1775322-0
OBSOLETE	18.0	23.01	19.10	37	3-1775322-7
OBSOLETE	17.5	22.51	18.60	36	3-1775322-6
OBSOLETE	17.0	22.01	18.10	35	3-1775322-5
OBSOLETE	16.5	21.51	17.60	34	3-1775322-4
OBSOLETE	14.5	19.51	15.60	30	3-1775322-0
OBSOLETE	13.5	18.51	14.60	28	2-1775322-8
OBSOLETE	13.0	18.01	14.10	27	2-1775322-7
OBSOLETE	12.5	17.51	13.60	26	2-1775322-6
OBSOLETE	12.0	17.01	13.10	25	2-1775322-5
OBSOLETE	11.5	16.51	12.60	24	2-1775322-4
OBSOLETE	10.5	15.51	11.60	22	2-1775322-2
OBSOLETE	8.5	13.51	9.60	18	1-1775322-8
OBSOLETE	7.0	12.01	8.10	15	1-1775322-5
OBSOLETE	6.5	11.51	7.60	14	1-1775322-4
OBSOLETE	6.0	11.01	7.10	13	1-1775322-3
OBSOLETE	5.5	10.51	6.60	12	1-1775322-2
OBSOLETE	4.5	9.51	5.60	10	1-1775322-0
OBSOLETE	4.0	9.01	5.10	09	1775322-9
OBSOLETE	3.5	8.51	4.60	08	1775322-8
OBSOLETE	2.5	7.51	3.60	06	1775322-6
OBSOLETE	2.0	7.01	3.10	05	1775322-5

APPLICABLE FPC RECOMMENDED (N = NO. OF CONTACTS)



CONNECTOR OUTLINE



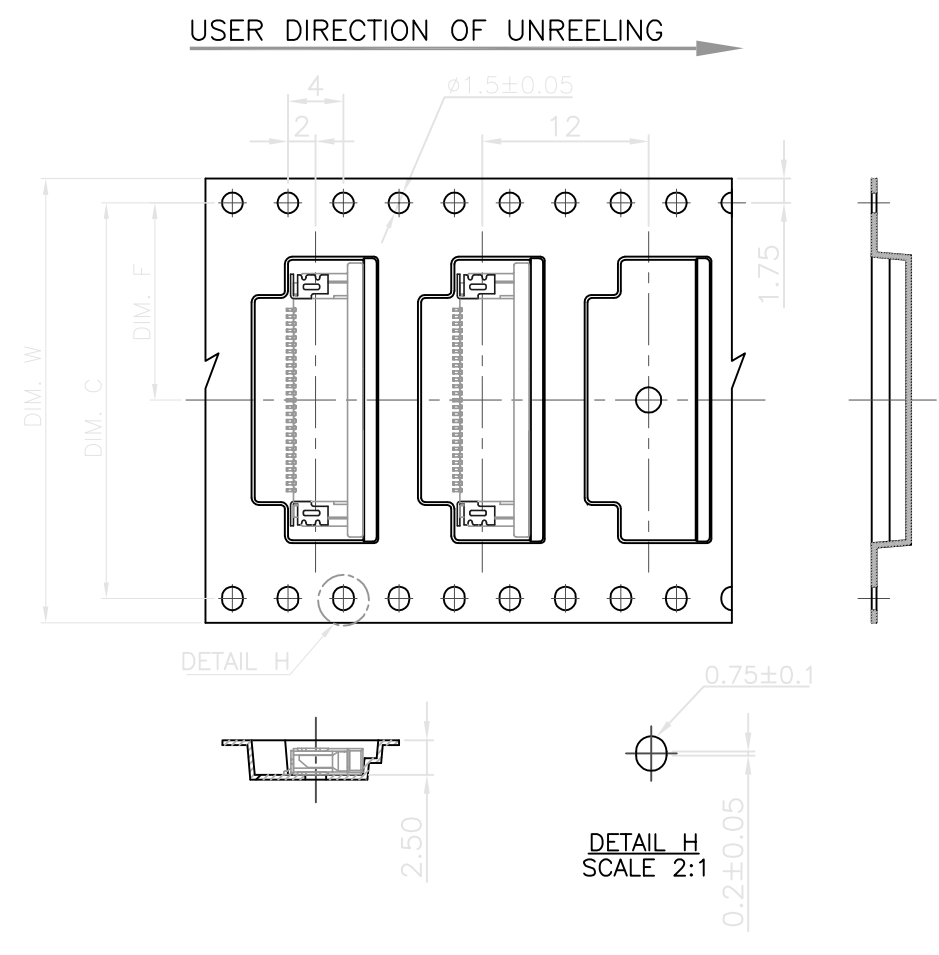
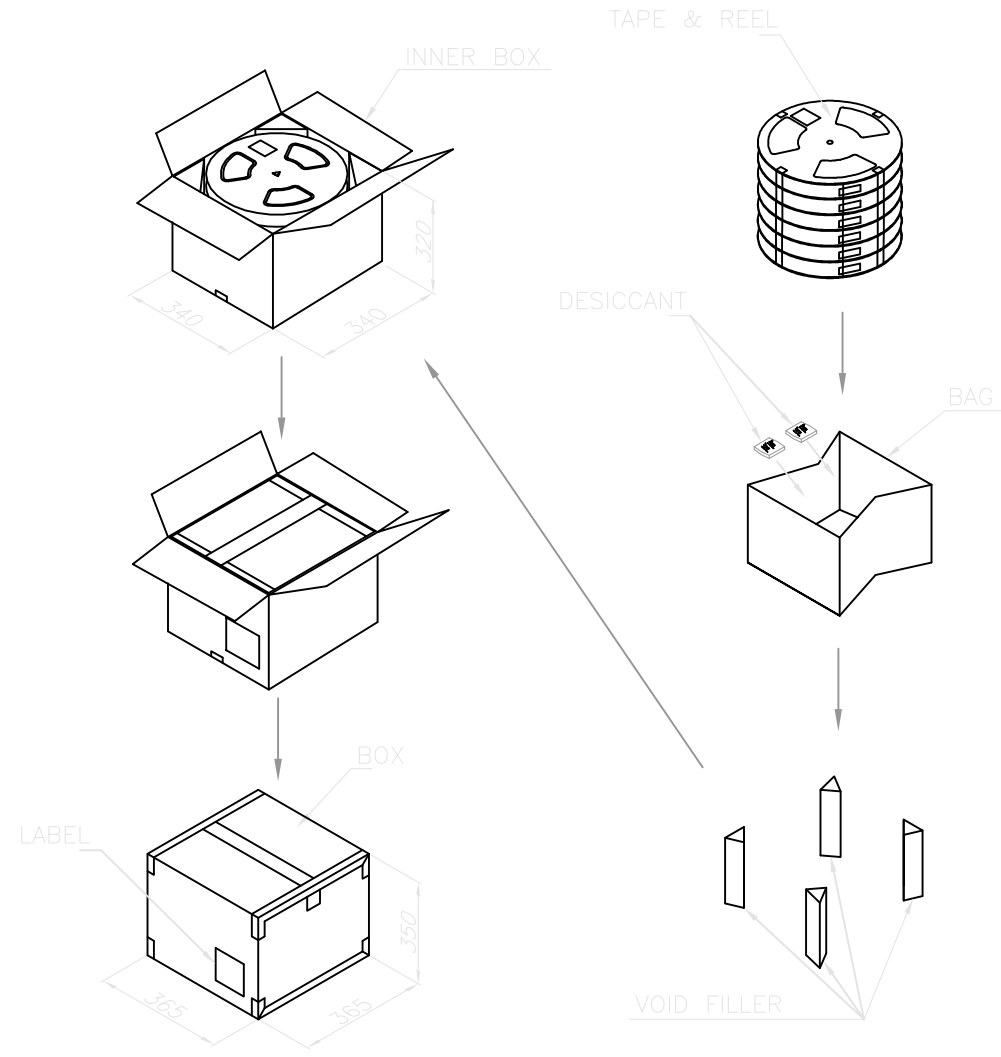
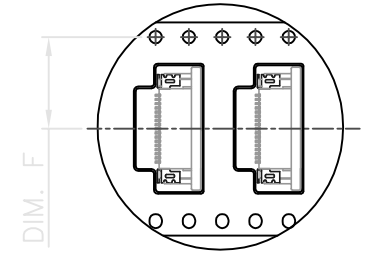
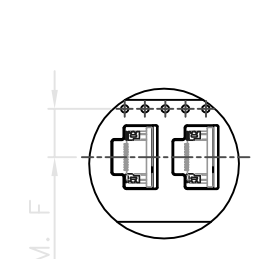
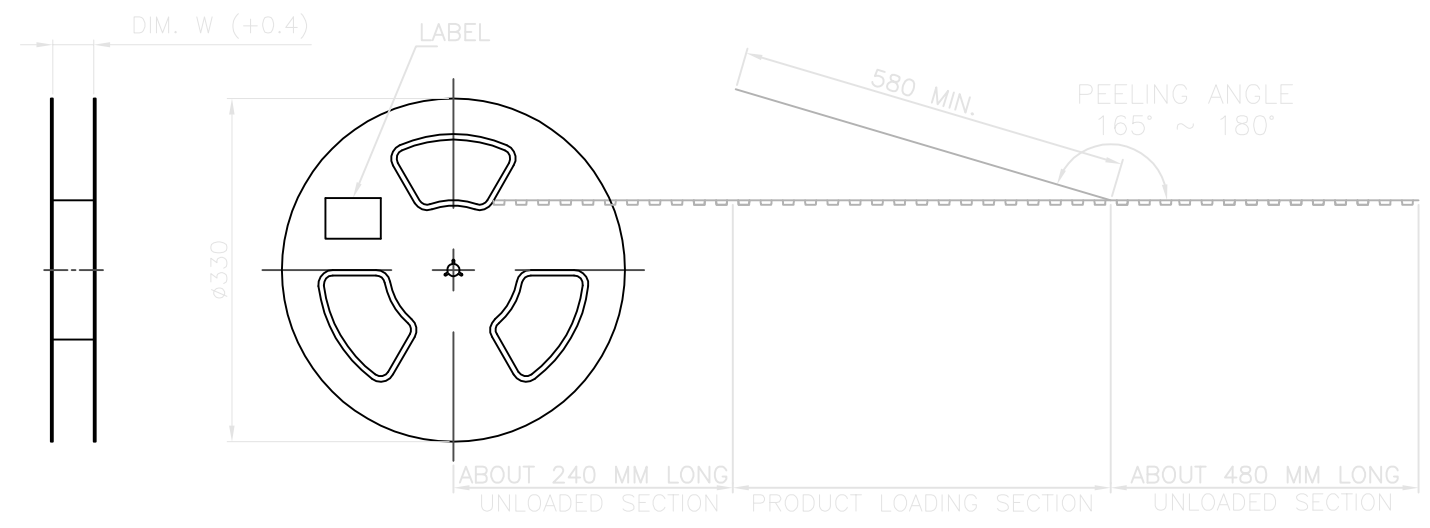
RECOMMENDED PCB LAYOUT TOLERANCES: ±0.05

THIS DRAWING IS A CONTROLLED DOCUMENT.

DIMENSIONS: MM	TOLERANCES UNLESS OTHERWISE SPECIFIED:	DWN A. WU 16JUL2007	
0 PLC ± -	1 PLC ± 0.3	CHK S. HOU 16JUL2007	
2 PLC ± 0.2	3 PLC ± -	APVD W.J. KE 16JUL2007	0.5 PITCH FPC CONNECTOR, ZIF, TOP CONTACT
4 PLC ± -	ANGLES ± 3°	PRODUCT SPEC 108-57364	
MATERIAL SEE NOTE	FINISH SEE NOTE	APPLICATION SPEC -	SIZE CAGE CODE DRAWING NO RESTRICTED TO A300779 C=1775322 -
		WEIGHT 0.185g GRAMS	SCALE - SHEET 1 of 2 REV D
		CUSTOMER DRAWING	

THIS DRAWING IS UNPUBLISHED. RELEASED FOR PUBLICATION
 © COPYRIGHT BY TYCO ELECTRONICS CORPORATION. ALL RIGHTS RESERVED.

LOC	DIST	REVISIONS					
DW	-	P	LTR	DESCRIPTION	DATE	DWN	APVD
				SEE SHEET 1.			



QUANTITY	PCS/TAPE	REELS/BOX	DIM C	DIM F	DIM W	G/W (Kg)	N/W (Kg)	NO. OF CONTACTS					
12000 PCS	2000	6	40.4	20.2	44	12.5	8.3	53					
						12.2	8.0	50					
						12.0	7.8	48					
						11.8	7.6	46					
						11.7	7.5	45					
						11.2	7.0	40					
						10.9	6.7	37					
						10.8	6.6	36					
						10.7	6.5	35					
						10.6	6.4	34					
16000 PCS	2000	8	28.4	14.2	32	10.2	6.0	30					
						10.0	5.8	28					
						9.9	5.7	27					
						9.8	5.6	26					
						9.7	5.5	25					
						9.6	5.4	24					
						9.4	5.2	22					
						9.0	4.8	18					
						20000 PCS	2000	10	11.5	24	8.7	4.4	15
											8.6	4.2	14
8.5	4.0	13											
8.4	3.8	12											
8.2	3.4	10											
8.1	3.2	9											
8.0	3.0	8											
7.7	2.6	6											
7.6	2.4	5											

- NOTES:
- MATERIAL:
 BOX: FIBREBOARD, CORRUGATED, DOUBLE WALL.
 COVER TAPE: PET, TRANSPARENT COLOR.
 CARRIER TAPE: POLYSTYRENES, BLACK COLOR.
 REEL: HIPS, BLUE COLOR.
 BAG: POLYETHYLENES, TRANSPARENT COLOR.
 - EACH BAG SHALL BE INCLUDED DESICCANT.
 - PEELING STRENGTH: 0.1 ~ 1.3 N (10 ~ 130 GRAMS).
 - PEELING SPEED: 300 mm/min.

THIS DRAWING IS A CONTROLLED DOCUMENT.

DIMENSIONS: MM	TOLERANCES UNLESS OTHERWISE SPECIFIED:	DWN A. WU 16JUL2007	 TE Connectivity
	0 PLC ± -	CHK S. HOU 16JUL2007	
	1 PLC ± -	APVD W.J. KE 16JUL2007	
	2 PLC ± -	PRODUCT SPEC	
MATERIAL	FINISH	APPLICATION SPEC	NAME
		WEIGHT	0.5 PITCH FPC CONNECTOR, ZIF, TOP CONTACT
CUSTOMER DRAWING		SIZE A3	CAGE CODE 00779
		DRAWING NO. C=1775322	RESTRICTED TO
		SCALE -	SHEET 2 OF 2
			REV D