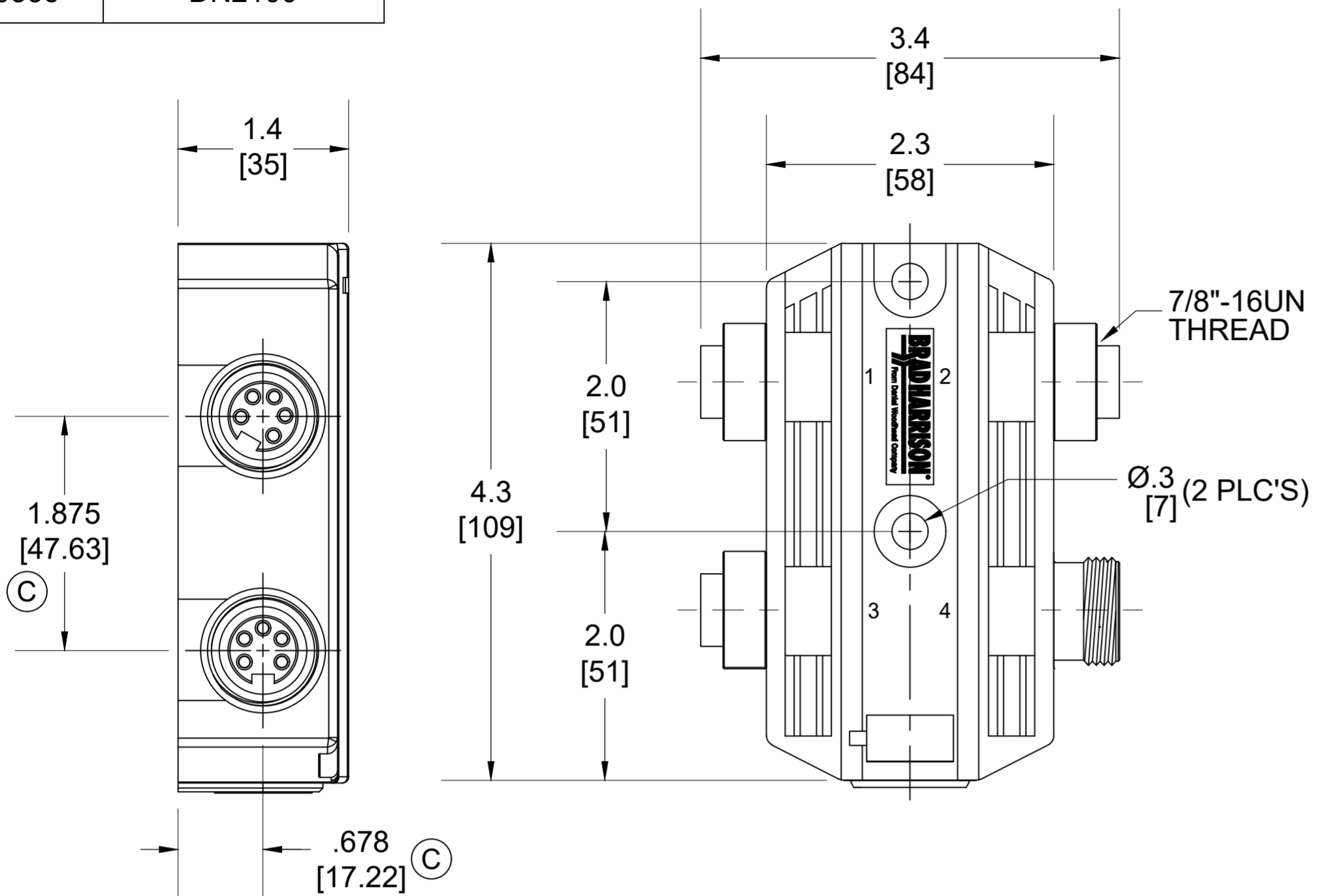
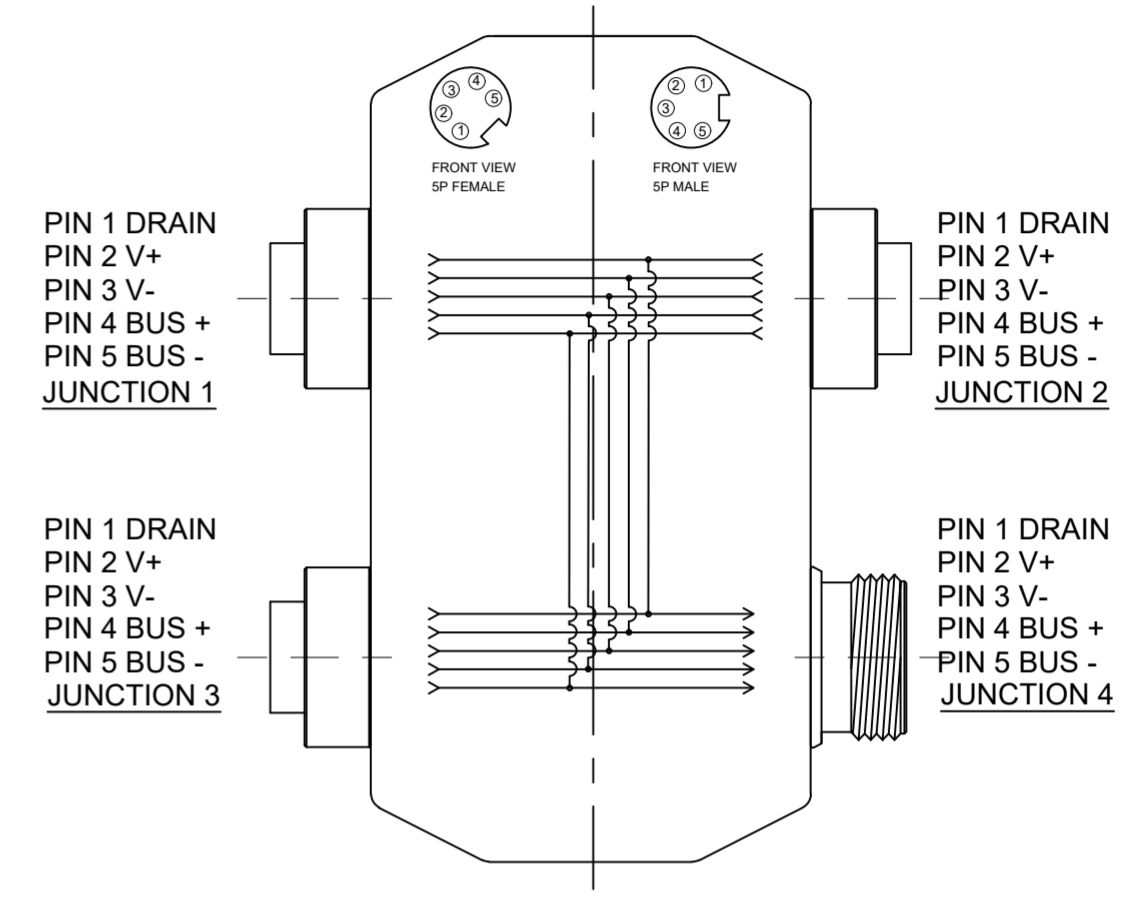


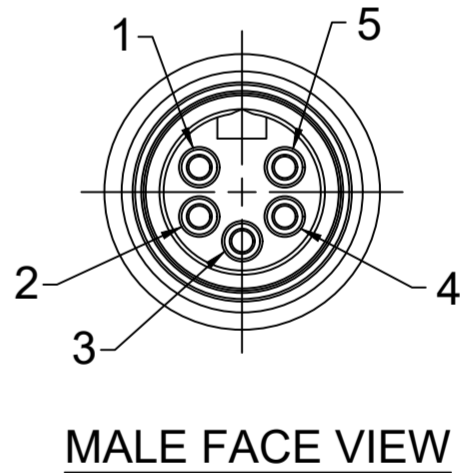
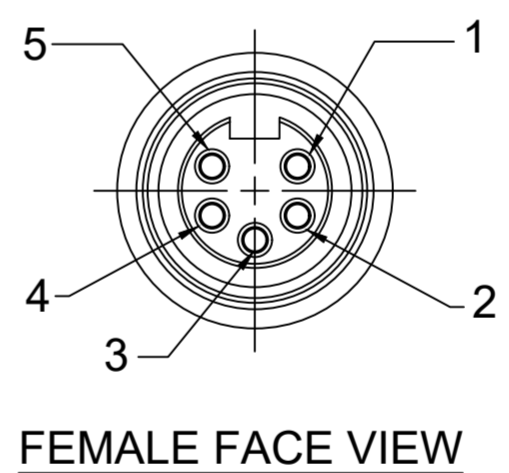
MATERIAL NUMBER	ENGINEERING NUMBER
1300390336	DN2100



SCHEMATIC



- NOTES:**
- MATERIAL: AS NOTED
 - FINISH: AS NOTED
 - ELECTRICAL:
VOLTAGE RATING: 120 VAC/VDC
CURRENT: 7A
 - TEMP RATING: 0° TO +60°C
 - PROTECTION: IP67 (WHEN MATED)
 - COUPLING THREAD- AS NOTED
 - UL LISTED FILE: E152210 (C)
 - ALL DIMENSIONS ARE FOR REFERENCE UNLESS TOLERANCED OR NOTED OTHERWISE



ITEM	COMPONENT	MATERIAL	FINISH
1	RECEPTACLE SHELL	ZINC DIE CAST	BLACK E-COATED
2	POTTING MATERIAL	EPOXY	BLACK
3	INSERT	TPE	GRAY (C)
4	CONTACT	COPPER ALLOY	ALUMINIUM OVER NICKEL
5	HOUSING	PBT	BLACK
6	LABEL	ABS	WHITE

THIS DRAWING CONTAINS INFORMATION THAT IS PROPRIETARY TO MOLEX ELECTRONIC TECHNOLOGIES, LLC AND SHOULD NOT BE USED WITHOUT WRITTEN PERMISSION

FUNCTIONAL SYMBOLS: FA=0, EC=0, EP=0

DIMENSION UNITS: INCH/MM, SCALE: NTS

GENERAL TOLERANCES (UNLESS SPECIFIED):

	mm	INCH
4 PLACES	±----	±----
3 PLACES	±----	±0.005
2 PLACES	±0.13	±0.01
1 PLACE	±0.25	±0.02
0 PLACES	±----	±----

ANGULAR TOL ± 0.5°

DRAFT WHERE APPLICABLE MUST REMAIN WITHIN DIMENSIONS

THIRD ANGLE PROJECTION

DRAWING: C-SIZE

SERIES: 130039

CURRENT REV DESC: ITEM#3 WAS PVC. ADDED UL FILE NO. ADDED DIMS

EC NO: 645633

DRWN: ABENJAMINLW 2020/09/08

CHK'D: RSTONE 2020/09/29

APPR: BWOODMAN 2020/10/23

INITIAL REVISION:

DRWN: BWOODMAN 2009/07/08

APPR: JFMURPHY 2009/07/20

molex

MINI-CHANGE MPIS, A SIZE,
5 POLE, MALE-FEMALE, 2 PORT PASS-THRU,
SINGLE KEY, 18 AWG, DEVICENET

PRODUCT CUSTOMER DRAWING

DOCUMENT NUMBER: SD-130039-008

DOC TYPE/DOC PART: PSD 001

REVISION: C

MATERIAL NUMBER: SEE CHART

CUSTOMER: GENERAL MARKET

SHEET NUMBER: 1 OF 1