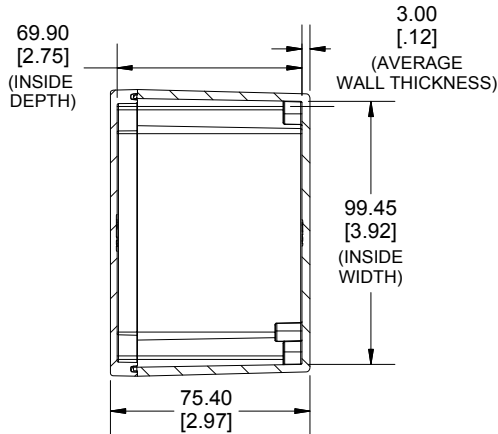
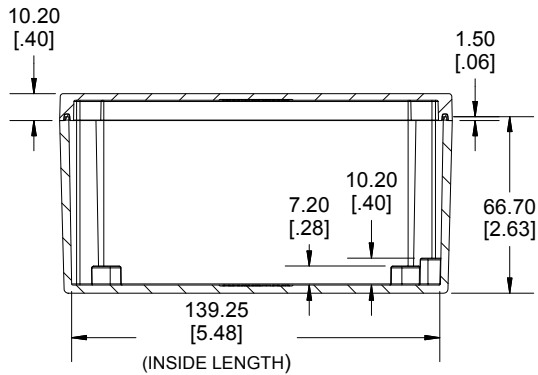


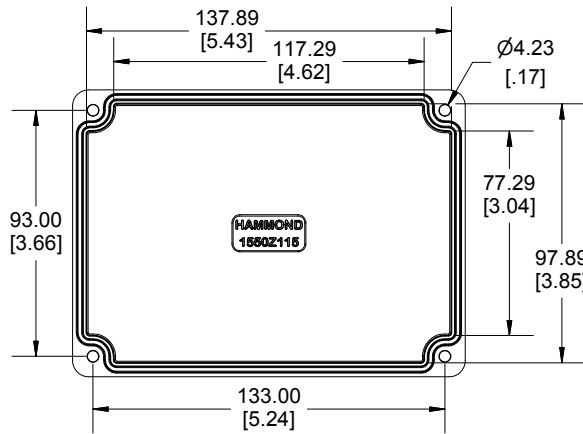
**TOP VIEW**



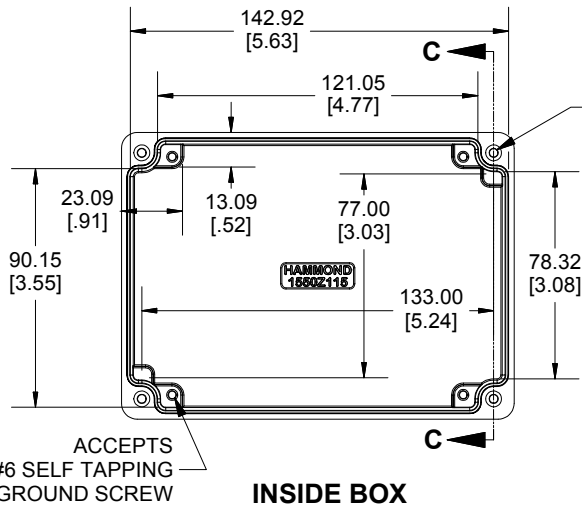
**SECTION A-A  
END VIEW**



**SECTION B-B  
SIDE VIEW**

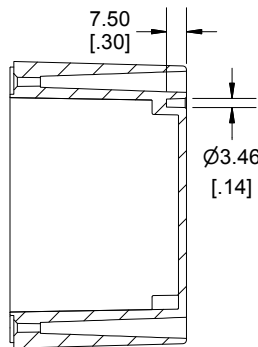


**INSIDE LID**



**INSIDE BOX**

ACCEPTS M4 - 0.7  
MACHINE SCREW



**SECTION C-C  
MOUNTING HOLE**

Dimensions:  
mm  
[inches]



Enclosures can be Factory Modified ( Milling, Drilling, Printing etc.)  
Contact Factory [mjm@hammondmfg.com](mailto:mjm@hammondmfg.com) for quotes  
Solid models of this enclosure available in STEP or IGES.  
(Part number and text placement/orientation on our products are subject to change,  
we do not recommend using them as a locating reference for modification purposes)

**NOTE**

Purchased assembly includes box, lid, silicone gasket, and 4 cover screws.  
Box and lid are made from Diecast Aluminum Alloy.

**Screws should not be torqued past 5-7.5 lbf.in ( 50 -75 cN.m)**

**PART NUMBERS**

1550Z115 Enclosure

Basic Enclosure

1550Z115

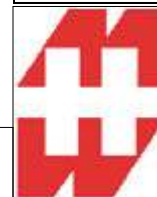
Black Enclosure

1550Z115BK

**ACCESSORIES**

Pre-Formed Silicone Gasket

1550Z115GASKET



**HAMMOND  
MANUFACTURING.**

**1550Z115**

[www.hammondmfg.com](http://www.hammondmfg.com)