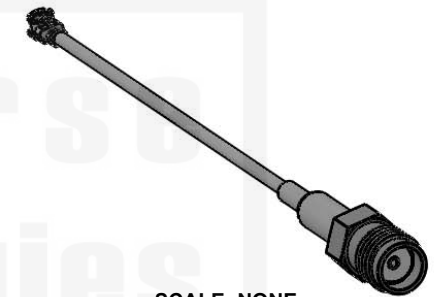
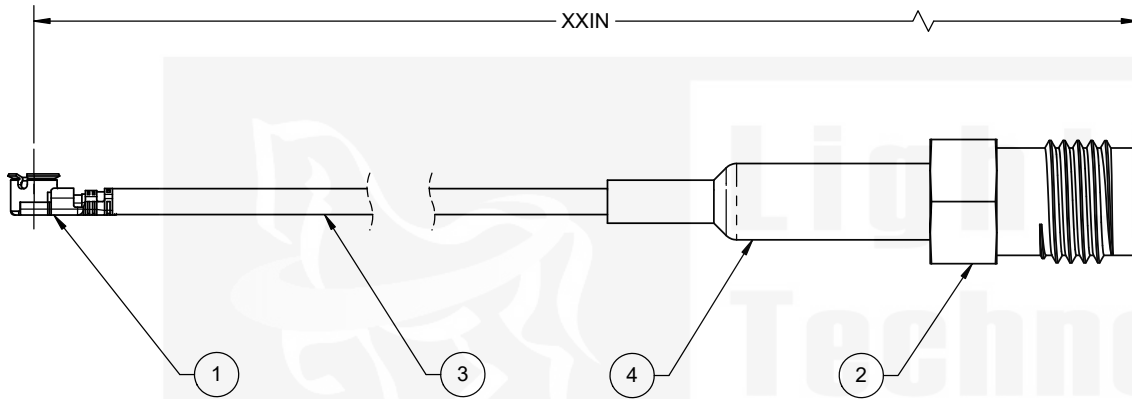


-XX IN THE ENDING OF THE CABLE PART NUMBER IS CALLING OUT THE LENGTH OF THE ASSEMBLY FROM CENTER TO MATING FLANGE OF CONNECTORS. EXAMPLES SHOWN BELOW:

LTI P/N: CB1.32D-IPX-SAFGT-4IN (4 INCHES)
 CB1.32D-IPX-SAFGT-10IN (10 INCHES)

REVISIONS

REV	ECR	DESCRIPTION	DRAWN	DATE
1		PRODUCTION RELEASE	M. LARSEN	08/03/2022



SCALE: NONE

ITEM	PART NUMBER	DESCRIPTION	QTY
1	IPXLF11GPB-132	IPX (MHF1), RHT ANGLE, JACK, CABLE CRIMP (I-PEX 20278-112R-32)	1
2	SASF11GT-316	SMA, STRAIGHT, JACK, CABLE CRIMP	1
3	1.32D MICRO COAX	CABLE, 1.32D DOUBLE SHIELDED MICRO COAX, GREEN	AR
4	1635F-1/8"	.125 (1/8) DIA, .75 LENGTH, GREEN	1

IPX® AND MHF® ARE REGISTERED TRADEMARKS OF I-PEX CO., LTD. CORPORATION

DO NOT SCALE DRAWING			Lighthouse Technologies San Diego, CA WWW.FPCCONNECTOR.COM	
TOLERANCES UNLESS OTHERWISE SPECIFIED DIMENSIONS ARE IN MILLIMETERS X = ±0.5 XX = ±0.25 XXX = ±0.13 ANGLE = ±30°			TITLE: CABLE ASSEMBLY, IPX (MHF1), R/A JACK, CRIMP TO SMA, JACK, CRIMP USING 1.32D MICRO COAX, GREEN	
CUSTOMER APPROVAL SIGN / DATE:		THIRD ANGLE PROJECTION	SIZE: B	PART/DWG. NO.: CB1.32D-IPX-SAFGT-xxIN
ENG APPR. P. BURDGE CHECKED M. HELD DRAWN M. LARSEN NAME	08/03/2022 08/03/2022 08/03/2022 DATE	REV: A	SCALE: 4:1	FILE NAME

PROPRIETARY AND CONFIDENTIAL

UNLESS OTHERWISE SPECIFIED: THIS DOCUMENT CONTAINS LIGHTHORSE TECHNOLOGIES INFORMATION. REPRODUCTION, USE, DISCLOSURE OR TRANSMITTAL OF ALL OR ANY PART OF THIS DOCUMENT IS PROHIBITED EXCEPT TO THE EXTENT APPROVED IN WRITING BY AN AUTHORIZED REPRESENTATIVE OF LIGHTHORSE TECHNOLOGIES. LIGHTHORSE TECHNOLOGIES RESERVES ALL RIGHTS UNDER PATENTS, TRADEMARKS, COPYRIGHTS AND TRADE SECRETS. COPY RIGHTS OF LIGHTHORSE TECHNOLOGIES 2011, ALL RIGHTS RESERVED.

