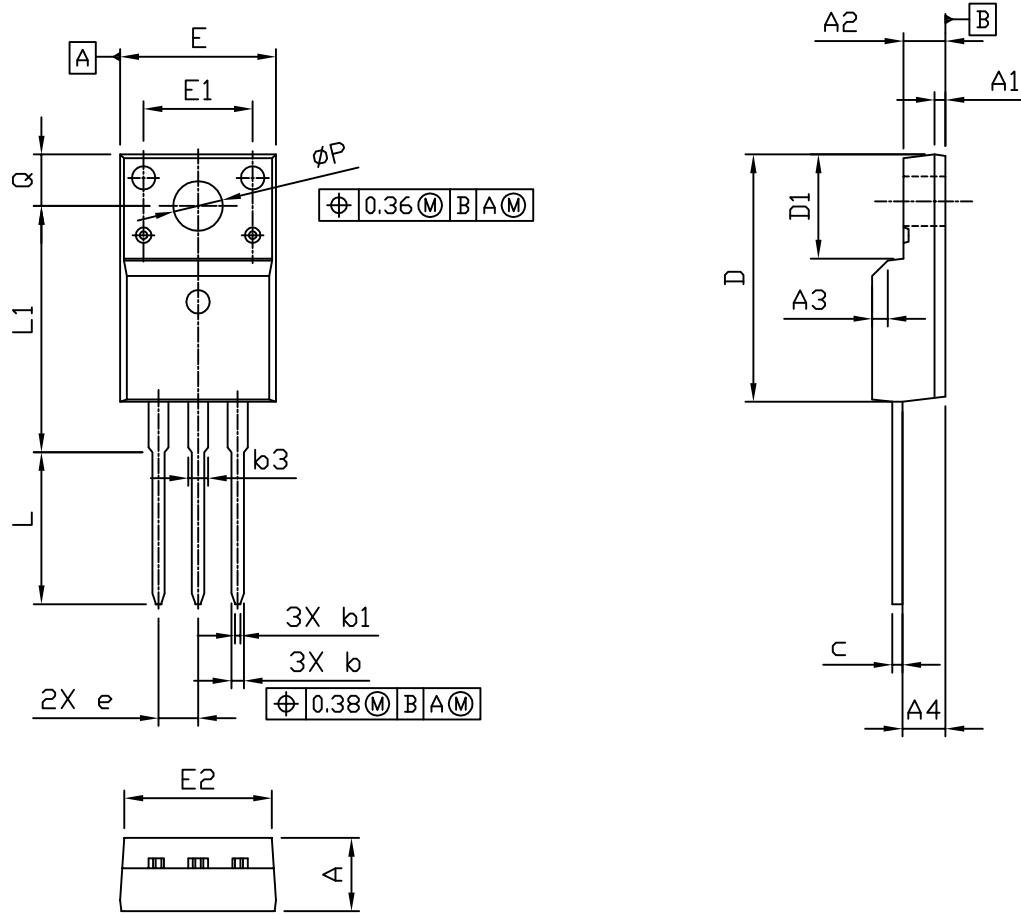
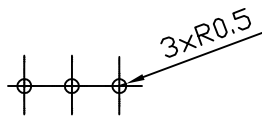




TO220FL PACKAGE OUTLINE



RECOMMENDATION OF HOLE PATTERN



UNIT: mm

SYMBOLS	DIMENSIONS IN MILLIMETERS			DIMENSIONS IN INCHES		
	MIN	NOM	MAX	MIN	NOM	MAX
A	4.50	4.70	4.90	0.177	0.185	0.193
A1	---	0.70	---	---	0.028	---
A2	2.34	2.54	2.74	0.092	0.100	0.108
A3	1X45°			1X45°		
A4	2.56	2.76	2.96	0.101	0.109	0.117
b	0.70	0.80	0.90	0.028	0.031	0.035
b1	0.25	0.35	0.45	0.010	0.014	0.018
b3	1.18	1.28	1.47	0.046	0.050	0.058
c	0.45	0.50	0.60	0.018	0.020	0.024
D	15.67	15.87	16.07	0.617	0.625	0.633
D1	6.48	6.68	6.88	0.255	0.263	0.271
e	2.54 BSC			0.100 BSC.		
E	9.96	10.16	10.36	0.392	0.400	0.408
E1	---	7.00	---	---	0.276	---
E2	9.26	9.46	9.66	0.365	0.372	0.380
L	9.55	9.75	9.95	0.376	0.384	0.392
L1	15.60	15.80	16.00	0.614	0.622	0.630
Q	3.20	3.30	3.40	0.126	0.130	0.134
∅P	3.08	3.18	3.28	0.121	0.125	0.129

NOTE

1. PACKAGE BODY SIZES EXCLUDE MOLD FLASH AND GATE BURRS. MOLD FLASH SHOULD BE LESS THAN 6 MIL.
2. TOLERANCE 0.100 MILLIMETERS UNLESS OTHERWISE SPECIFIED.
3. CONTROLLING DIMENSION IS MILLIMETER. CONVERTED INCH DIMENSIONS ARE NOT NECESSARILY EXACT.