

5536416-5 ✓ ACTIVE

## EUROCARD

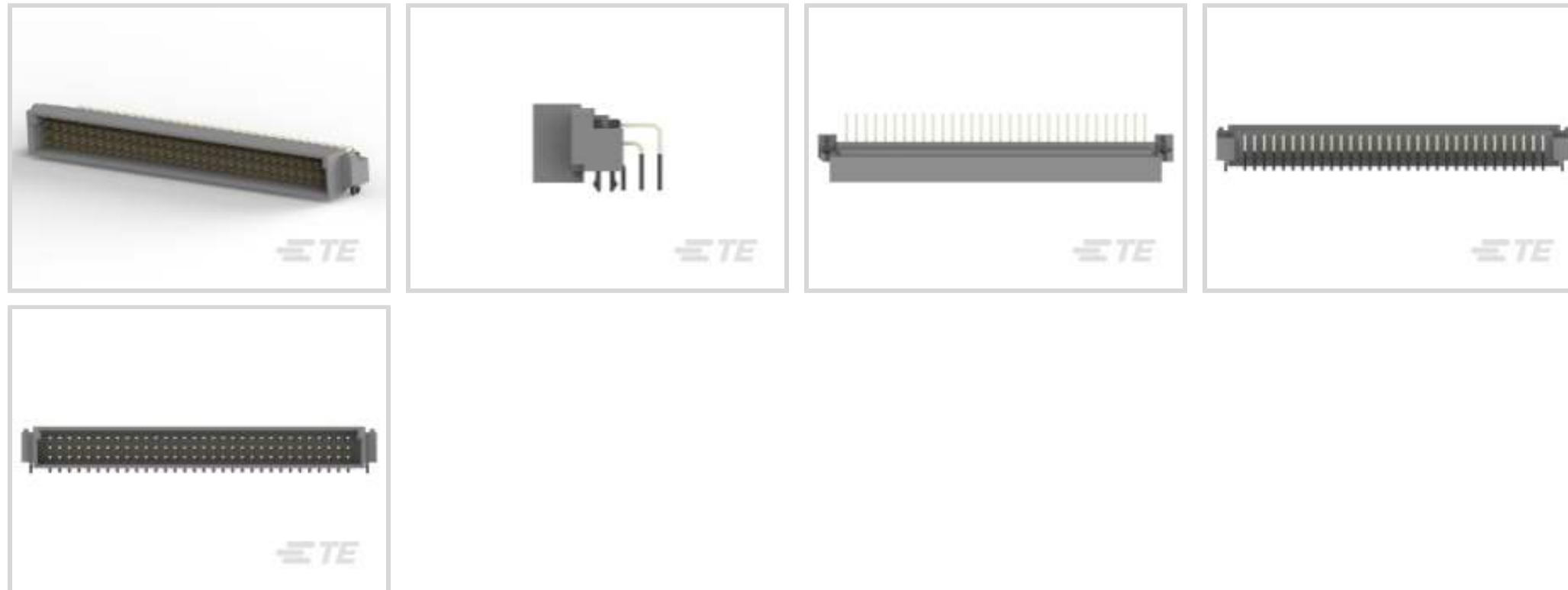
TE Internal #: 5536416-5

Eurocard Connectors, Plug, Board-to-Board, 96 Position, .1 in [2.54 mm] Centerline, Printed Circuit Board, 3 Row, Right Angle, 32 Column

[View on TE.com >](#)



Connectors > PCB Connectors > Backplane Connectors > Eurocard Connectors



Connector & Housing Type: **Plug**

Connector System: **Board-to-Board**

Termination Post & Tail Length: **2.64 mm [ .104 in ]**

Number of Positions: **96**

Centerline (Pitch): **2.54 mm [ .1 in ]**

### Features

#### Product Type Features

|                                   |                       |
|-----------------------------------|-----------------------|
| Connector & Housing Type          | Plug                  |
| Connector System                  | Board-to-Board        |
| Connector & Contact Terminates To | Printed Circuit Board |
| DIN Size                          | Standard              |
| DIN Level                         | II                    |

#### Configuration Features

|                            |             |
|----------------------------|-------------|
| Number of Positions        | 96          |
| Number of Rows             | 3           |
| PCB Mount Orientation      | Right Angle |
| Number of Columns          | 32          |
| Number of Signal Positions | 96          |
| Rows Loaded                | A, B, C     |

#### Termination Features

|                                |                  |
|--------------------------------|------------------|
| Termination Post & Tail Length | 2.64 mm[.104 in] |
|--------------------------------|------------------|



### Mechanical Attachment

|                         |             |
|-------------------------|-------------|
| Connector Mounting Type | Board Mount |
|-------------------------|-------------|

### Housing Features

|                    |                |
|--------------------|----------------|
| Centerline (Pitch) | 2.54 mm[.1 in] |
|--------------------|----------------|

### Dimensions

|                    |                |
|--------------------|----------------|
| Row-to-Row Spacing | 2.54 mm[.1 in] |
|--------------------|----------------|

### Usage Conditions

|                             |                            |
|-----------------------------|----------------------------|
| Operating Temperature Range | -55 – 105 °C[-67 – 221 °F] |
|-----------------------------|----------------------------|

### Operation/Application

|                     |        |
|---------------------|--------|
| Circuit Application | Signal |
|---------------------|--------|

## Product Compliance

[For compliance documentation, visit the product page on TE.com>](#)

|   |  |
|---|--|
| EU RoHS Directive 2011/65/EU                  | Compliant  |
| EU ELV Directive 2000/53/EC                   | Compliant  |
| China RoHS 2 Directive MIIT Order No 32, 2016 | No Restricted Materials Above Threshold  |
| EU REACH Regulation (EC) No. 1907/2006        | Current ECHA Candidate List: JUNE 2023 (235)<br>Candidate List Declared Against: JAN 2023 (233)<br>Does not contain REACH SVHC |
| Halogen Content                               | Low Halogen - Br, Cl, F, I < 900 ppm per homogenous material. Also BFR/CFR/PVC Free  |
| Solder Process Capability                     | Reflow solder capable to 260°C   |

#### Product Compliance Disclaimer

This information is provided based on reasonable inquiry of our suppliers and represents our current actual knowledge based on the information they provided. This information is subject to change. The part numbers that TE has identified as EU RoHS compliant have a maximum concentration of 0.1% by weight in homogenous materials for lead, hexavalent chromium, mercury, PBB, PBDE, DBP, BBP, DEHP, DIBP, and 0.01% for cadmium, or qualify for an exemption to these limits as defined in the Annexes of Directive 2011/65/EU (RoHS2). Finished electrical and electronic equipment products will be CE marked as required by Directive 2011/65/EU. Components may not be CE marked. Additionally, the part numbers that TE has identified as EU ELV compliant have a maximum concentration of 0.1% by weight in homogenous materials for lead, hexavalent chromium, and mercury, and 0.01% for cadmium, or qualify for an exemption to these limits as defined in the Annexes of Directive 2000/53/EC (ELV). Regarding the REACH Regulation, the information TE provides on SVHC in articles for this part number is based on the latest European Chemicals Agency (ECHA) 'Guidance on requirements for substances in articles' posted at this URL: <https://echa.europa.eu/guidance-documents/guidance-on-reach>

## Compatible Parts



TE Part # 925486-1  
MOD. IV SNAP-IN HSG 96 POS.



TE Part # 1-148057-5  
096 EURO TYP C RECP 13MM ASSY



TE Part # 5535089-5  
ASSEMBLY,RECEPTACLE,EUROCARD, T



TE Part # 5650908-5  
ASSY,PIN,EUROCARD,TYPE R,LEAD-T



TE Part # 5536412-4  
ASSY,RECEPT,EURO,TYPE C,LEAD-FREE,96,.18



TE Part # 5650473-5  
ASSY,PIN,EUROCARD,TYPE C,LEAD-F



TE Part # 5536418-5  
ASSY,RECEPT,EURO,TYPE C,LEAD-F



TE Part # 650947-5  
096 EURO TYPE C PIN ST ASSY



TE Part # 9-1393644-1  
V42254B1200C960=PC612 MESSERLE



TE Part # 5535090-5  
ASSEMBLY,RECEPTACLE,EUROCARD, T



TE Part # 650913-5  
096 EURO TYPE C PIN BL ASSY



TE Part # 5650470-5  
ASSY,PIN,EUROCARD,TYPE R,LEAD-T



TE Part # 1-148059-5  
096 EURO TYP C RECP 17MM ASSY



TE Part # 535032-4  
096 EURO TYPE C RECEPT AP ASSY



TE Part # 5535032-4  
ASSY,RECEPTACLE,EUROCARD,TYPE



TE Part # 5650913-5  
ASSY,PIN,EUROCARD,TYPE C,LEAD-T



TE Part # 5650889-5  
ASSY,PIN,EUROCARD,TYPE R,LEAD-T



TE Part # 5650963-5  
ASSY,RECEPTACLE,EUROCARD,TYPE

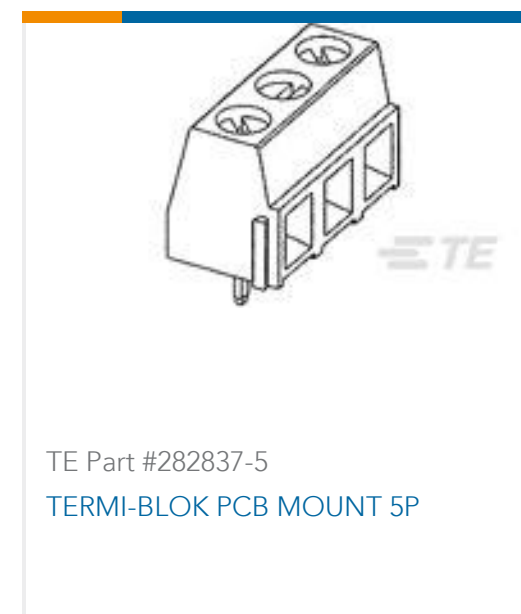
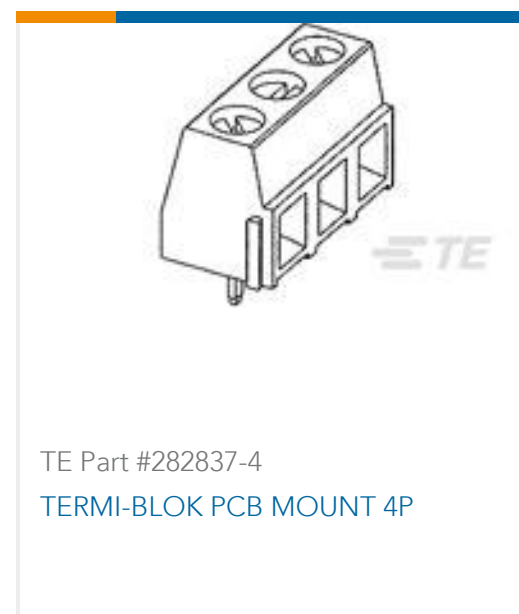


TE Part # 4-1393637-6  
V42254P2263C960=PC612 FEDERLEI



TE Part # 650889-5  
096 EURO TYPE R PIN AP ASSY

## Customers Also Bought



## Documents

### Product Drawings

ASSY,PIN,EURO,"C",LEAD-FREE,96

English

### CAD Files

Customer View Model

[ENG\\_CVM\\_CVM\\_5536416-5\\_O.2d\\_dxf.zip](#)

English

### 3D PDF

3D

Customer View Model

[ENG\\_CVM\\_CVM\\_5536416-5\\_O.3d\\_igs.zip](#)

English

Customer View Model

[ENG\\_CVM\\_CVM\\_5536416-5\\_O.3d\\_stp.zip](#)

English

By downloading the CAD file I accept and agree to the [Terms and Conditions](#) of use.

## Product Specifications



### Application Specification

English

---

### Product Environmental Compliance

[MD\\_5536416-5\\_04182014659\\_dmtec](#)

English

[MD\\_5536416-5\\_04182014659\\_dmtec](#)

English