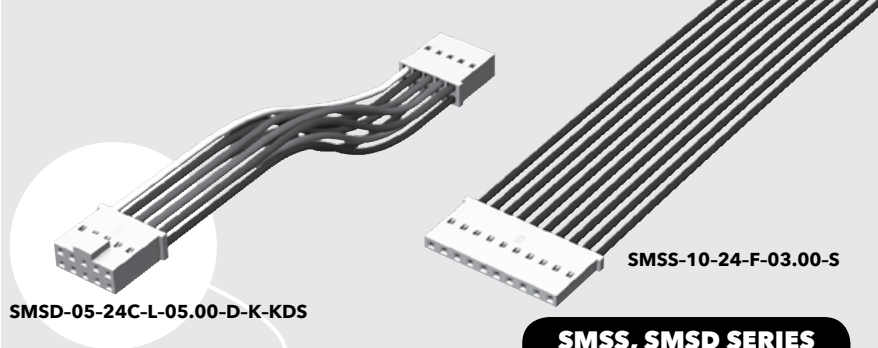




miniMATE®



(2.54 mm) .100"

SMSS, SMDS SERIES

MINI MATE® UNIVERSAL CABLE ASSEMBLY

SPECIFICATIONS

For complete specifications see www.samtec.com?SMSS or www.samtec.com?SMDS

Insulator Material:

Nylon 6/6, White
Contact Material:
Phosphor Bronze

Plating:

Au or Sn over
50 μm (1.27 μm) Ni

Operating Temp Range:

-10 °C to +105 °C

Current Rating (SMDS-24/HTSS):

4 A per pin
(1 pin powered per row)

Voltage Rating:

406 VAC

Insertion Depth:

(5.33 mm) .210" to
(6.86 mm) .270"

Wire:

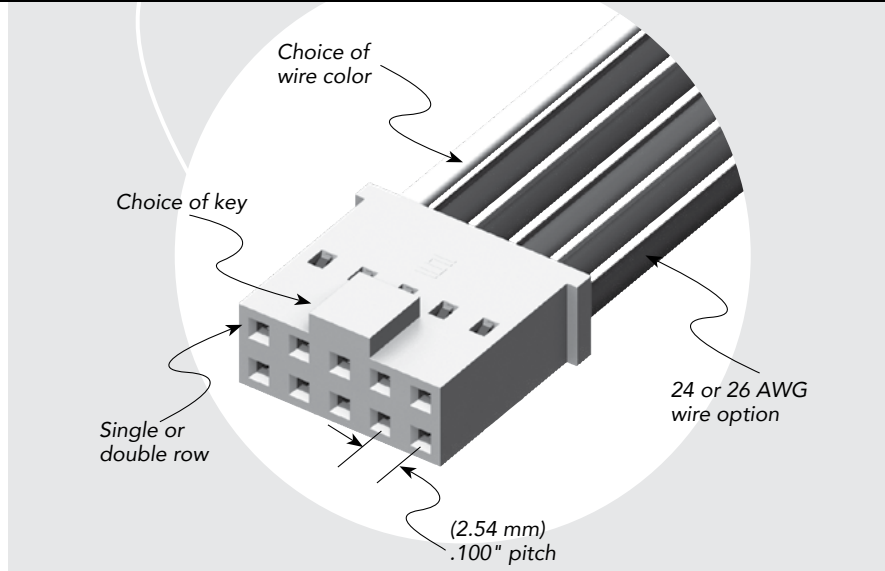
24 or 26 AWG

RoHS Compliant:

Yes

Mates with:

Any .025" (0.64 mm) SQ
.100" x .100"
(2.54 mm) x (2.54 mm)
unshrouded terminal strip,
TSW, HTSW, TSM,
MTSW, HMTSW, PHT,
TLW, MTLW, DW, EW,
ZW, HW, TSSH, TSS, TST,
HTSS, HTST, ZSS, ZST



RECOGNITIONS

For complete scope of recognitions see www.samtec.com/quality



APPLICATION

-24C CABLE COLOR CODING	
PIN	COLOR
1	BROWN
2	RED
3	ORANGE
4	YELLOW
5	GREEN
6	BLUE
7	VIOLET
8	GRAY
9	WHITE
10	BLACK
ETC	REPEAT

ALSO AVAILABLE (MOQ Required)

- Other sizes
- Contact Samtec.

Notes:

For wiring option information refer to drawing on web.

Some lengths, styles and options are non-standard, non-returnable.

TYPE	POSITIONS PER ROW	WIRE GAUGE	PLATING OPTION	ASSEMBLY LENGTH	END OPTION	K	OPTION
SMSS = Single Row	-02, -05, -10, -15, -20 (Standard sizes)	-24 -24C = Color Coded Cable -26	-F = Gold flash on contact, Matte Tin on tail -L = 10 μm (0.25 μm) Gold on contact, Matte Tin on tail	- "XX.XX" = Assembly Length in Inches (76.20 mm) 03.00" min.	-S = Single End -D = Double End	-K = Key Polarization (Leave blank for no Polarization) (5 positions minimum)	(Must be used on -D end option only & applies to end 2 housing) -KUS = Key up, straight (See print for pin mapping) -KDS = Key down, straight (See print for pin mapping) -KUX = Key up, crossed (See print for pin mapping) -KDX = Key down, crossed (See print for pin mapping)

ASSEMBLED LENGTH

No. of positions
x (2.54) .100
+ (1.27) .050

(2.54) .100

(12.45) .490

SMSS

(5.08) .200

SMDS

(2.54) .100

(2.54) .100

(4.45) .175

-KUS

-KDS