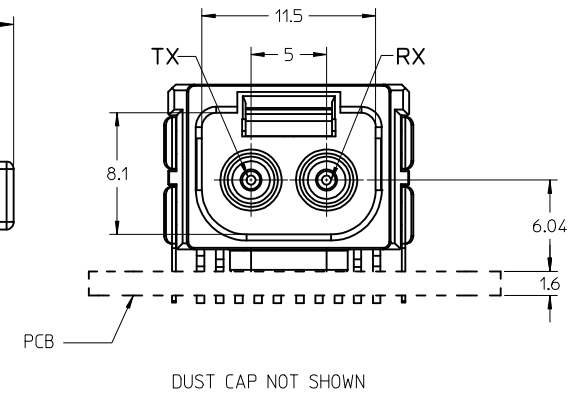
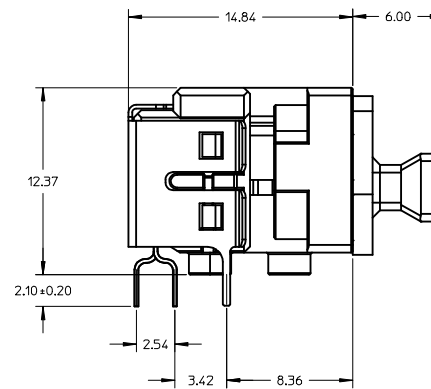
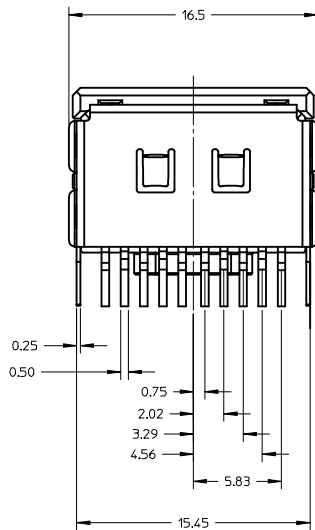
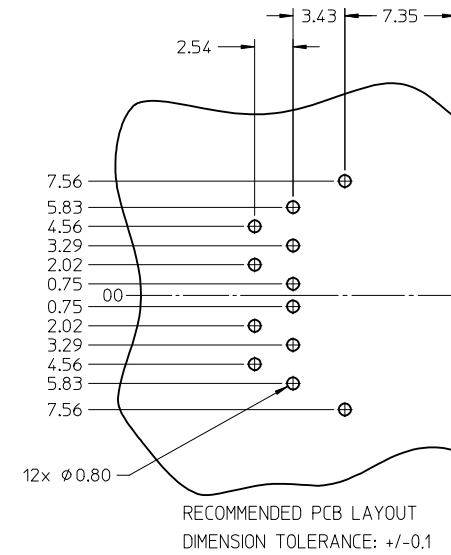
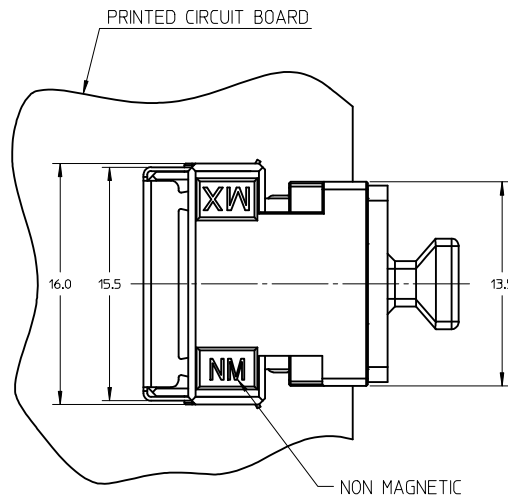
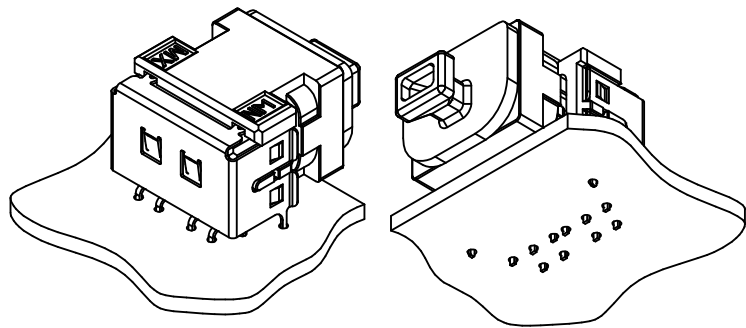


- NOTES:
1. ALL DIMENSIONS ARE FOR REFERENCE ONLY EXCEPT FOR RECOMMENDED PCB LAYOUT.
 2. ATTACHEMENT OF THIS COMPONENT TO THE PCB VIA HOT BAR,LASER OR IR SOLDERING. RE-FLOW OVEN SOLDERING IS NOT APPROVED AT THIS TIME.

ENTER DESCRIPTION EC NO: MF2014-0757 DRWNS:SB0JANIC 2014/06/10 CHKD: APPR:IGUMIN 2014/07/08 REV: A1	QUALITY SYMBOLS = 0 = 0	GENERAL TOLERANCES (UNLESS SPECIFIED) <table border="1"> <thead> <tr> <th></th> <th>mm</th> <th>INCH</th> </tr> </thead> <tbody> <tr> <td>4 PLACES</td> <td>± ---</td> <td>± ---</td> </tr> <tr> <td>3 PLACES</td> <td>± ---</td> <td>± ---</td> </tr> <tr> <td>2 PLACES</td> <td>± ---</td> <td>± ---</td> </tr> <tr> <td>1 PLACE</td> <td>± ---</td> <td>± ---</td> </tr> </tbody> </table>		mm	INCH	4 PLACES	± ---	± ---	3 PLACES	± ---	± ---	2 PLACES	± ---	± ---	1 PLACE	± ---	± ---	DIMENSION STYLE MM ONLY DRAWN BY: SM DATE: 12/10/2008 CHECKED BY: BA DATE: 12/16/2008 APPROVED BY: BA DATE:	SCALE: 4:1 DESIGN UNITS: METRIC THIRD ANGLE PROJECTION	TITLE SMI TRANSCEIVER ASSY THROUGH HOLE NON-MAGNETIC
		mm	INCH																	
	4 PLACES	± ---	± ---																	
	3 PLACES	± ---	± ---																	
2 PLACES	± ---	± ---																		
1 PLACE	± ---	± ---																		
DRAFT WHERE APPLICABLE MUST REMAIN WITHIN DIMENSIONS		MATERIAL NO. 1061085500 DOCUMENT NO. SD-106108-5500 SHEET NO. 1 OF 1	MOLEX INCORPORATED																	
THIS DRAWING CONTAINS INFORMATION THAT IS PROPRIETARY TO MOLEX INCORPORATED AND SHOULD NOT BE USED WITHOUT WRITTEN PERMISSION																				



- NOTES:
1. ALL DIMENSIONS ARE FOR REFERENCE ONLY EXCEPT FOR RECOMMENDED PCB LAYOUT.
 2. ATTACHEMENT OF THIS COMPONENT TO THE PCB VIA HOT BAR,LASER OR IR SOLDERING, RE-FLOW OVEN SOLDERING IS NOT APPROVED AT THIS TIME.

ENTER DESCRIPTION EC NO: MF2014-0757 DRWNS:SB0JANIC 2014/06/10 CHKD: APPR:IGUMIN 2014/07/08 REV: A1	QUALITY SYMBOLS = 0 = 0	GENERAL TOLERANCES (UNLESS SPECIFIED) <table border="1"> <thead> <tr> <th></th> <th>mm</th> <th>INCH</th> </tr> </thead> <tbody> <tr> <td>4 PLACES</td> <td>± ---</td> <td>± ---</td> </tr> <tr> <td>3 PLACES</td> <td>± ---</td> <td>± ---</td> </tr> <tr> <td>2 PLACES</td> <td>± ---</td> <td>± ---</td> </tr> <tr> <td>1 PLACE</td> <td>± ---</td> <td>± ---</td> </tr> </tbody> </table>		mm	INCH	4 PLACES	± ---	± ---	3 PLACES	± ---	± ---	2 PLACES	± ---	± ---	1 PLACE	± ---	± ---	DIMENSION STYLE MM ONLY DRAWN BY: SM DATE: 12/10/2008 CHECKED BY: BA DATE: 12/16/2008 APPROVED BY: BA DATE:	SCALE: 4:1 DESIGN UNITS: METRIC THIRD ANGLE PROJECTION	TITLE SMI TRANSCEIVER ASSY THROUGH HOLE NON-MAGNETIC
		mm	INCH																	
	4 PLACES	± ---	± ---																	
	3 PLACES	± ---	± ---																	
2 PLACES	± ---	± ---																		
1 PLACE	± ---	± ---																		
DRAFT WHERE APPLICABLE MUST REMAIN WITHIN DIMENSIONS		MATERIAL NO. 1061085500 DOCUMENT NO. SD-106108-5500 SHEET NO. 1 OF 1	MOLEX INCORPORATED																	
THIS DRAWING CONTAINS INFORMATION THAT IS PROPRIETARY TO MOLEX INCORPORATED AND SHOULD NOT BE USED WITHOUT WRITTEN PERMISSION																				
SIZE C																				