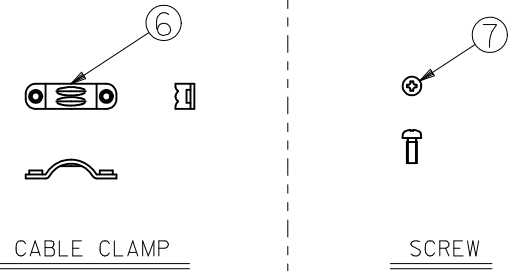


部品構成  
PARTS CONSTRUCTION

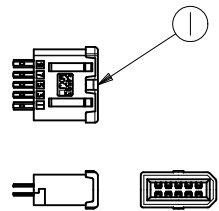
部番 NO.	部品名 PART NAME	製品番号 ENG. NO.	個数 QVAN.	材質 MATERIAL
①	ハウジングアッセンブリ HOUSING ASS'Y	54593-1016	1	ハウジング: ポリアミド, UL94V-0 色:黒 HOUSING: POLYAMIDE, UL94V-0 COLOR:BLACK ターミナル:りん青銅 t0.3 TERMINAL:PHOSPHOR BRONZE t0.3 メッキ仕様 接点部:ニッケル下地金メッキ PLATING CONTACT AREA:GOLD OVER NICKEL 結線部:ニッケル下地錫メッキ WIRE TERMINATION AREA:TIN OVER NICKEL
②	カバーA COVER A	54594-1015	1	カバーA: ガラス入りポリカーボネイト樹脂 COVER A: POLYCARBONATE G.F. UL94V-0 色:グレー UL94V-0 COLOR:GRAY スプリングラッチ:ステンレス鋼 t0.4 SPRING LATCH:STAINLESS STEEL t0.4
③	カバーB COVER B	54595-1005	1	ガラス入りポリカーボネイト樹脂 UL94V-0 色:グレー POLYCARBONATE G.F. UL94V-0 COLOR:GRAY
④	シェル カバー SHELL COVER	58935-1028	1	りん青銅 t0.4 PHOSPHOR BRONZE t0.4
⑤	シェル ボディ SHELL BODY	58934-1028	1	メッキ仕様:ニッケル下地、錫メッキ PLATING:NICKEL BASE,TIN PLATING
⑥	ケーブルクランプ CABLE CLAMP	58937-0000	1	ステンレス鋼 STAINLESS STEEL
⑦	十字穴付きなべ小ネジ CROSS RECESSED PAN HEAD MACHINE SCREW	58203-0010	2	鋼(ネジサイズ:M2X5) STEEL (SCREW SIZE:M2X5)

注記: 1. 本製品は 54599-1015 の鉛フリー品である。  
NOTES: THIS PRODUCT IS LEAD FREE OF 54599-1015.

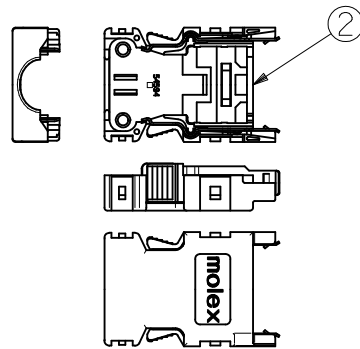


CABLE CLAMP

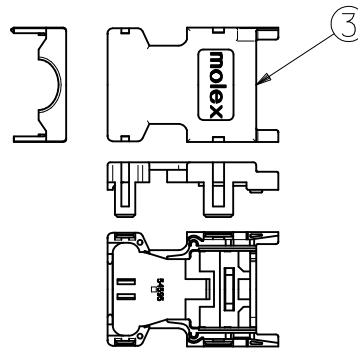
SCREW



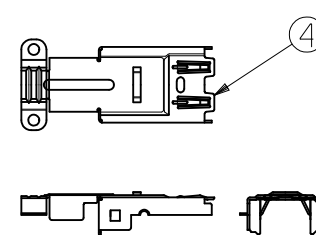
HOUSING ASS'Y



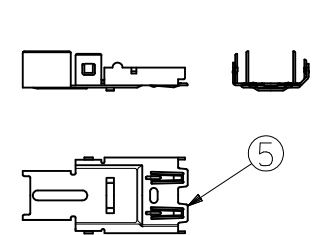
COVER A



COVER B



SHELL COVER

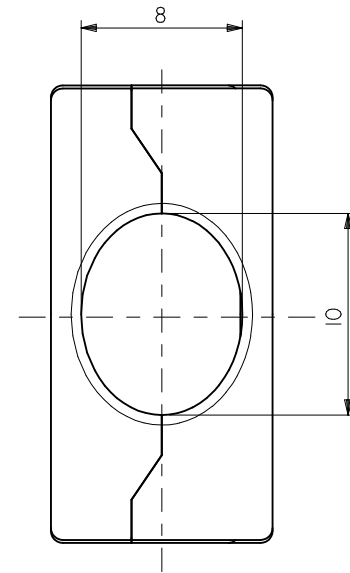
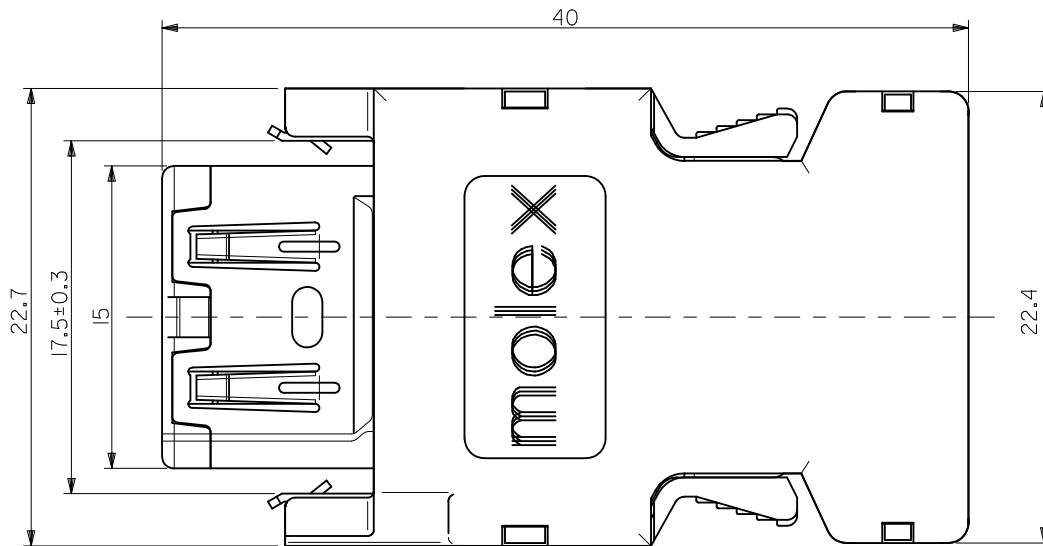
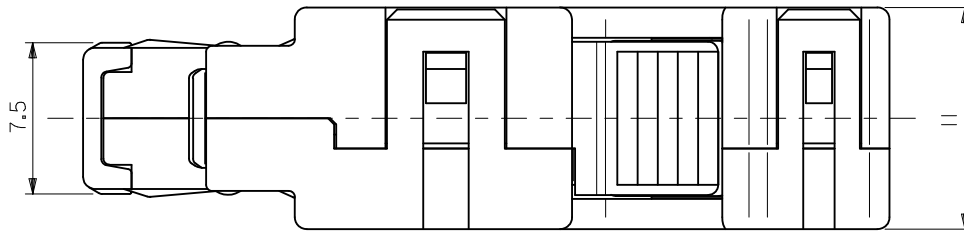


SHELL BODY

54599-1019	54599-101*
MATERIAL NO.	MODEL NO.

REVISED EC NO: J2010-0635 DRW: NESATO 2010/02/25 CHKD: MATSUMOTO 2010/02/25 APPR: HIRATA 2010/02/25 REV: A	DESCRIPTION	GENERAL TOLERANCES (UNLESS SPECIFIED)		DIMENSION STYLE MM ONLY		SCALE ---	DESIGN UNITS METRIC		THIRD ANGLE PROJECTION		
		10 UNDER	± ---	DRAWN BY M. NABE I	DATE 2004/04/14	TITLE 2.0 I/O CONN. HAND/S TYPE PLUG SET -LEAD FREE-					
		10 OVER 30 UNDER	± ---	CHECKED BY K. TOJO	DATE 2004/04/14	MOLEX INCORPORATED					
		30 OVER	± ---	APPROVED BY HIRATA	DATE 2010/02/25	MATERIAL NO. SEE TABLE		DOCUMENT NO. SD-54599-006		SHEET NO. 1 OF 3	
ANGULAR ± --- °		DRAFT WHERE APPLICABLE MUST REMAIN WITHIN DIMENSIONS		THIS DRAWING CONTAINS INFORMATION THAT IS PROPRIETARY TO MOLEX INCORPORATED AND SHOULD NOT BE USED WITHOUT WRITTEN PERMISSION							

10 9 8 7 6 5 4 3 2 1

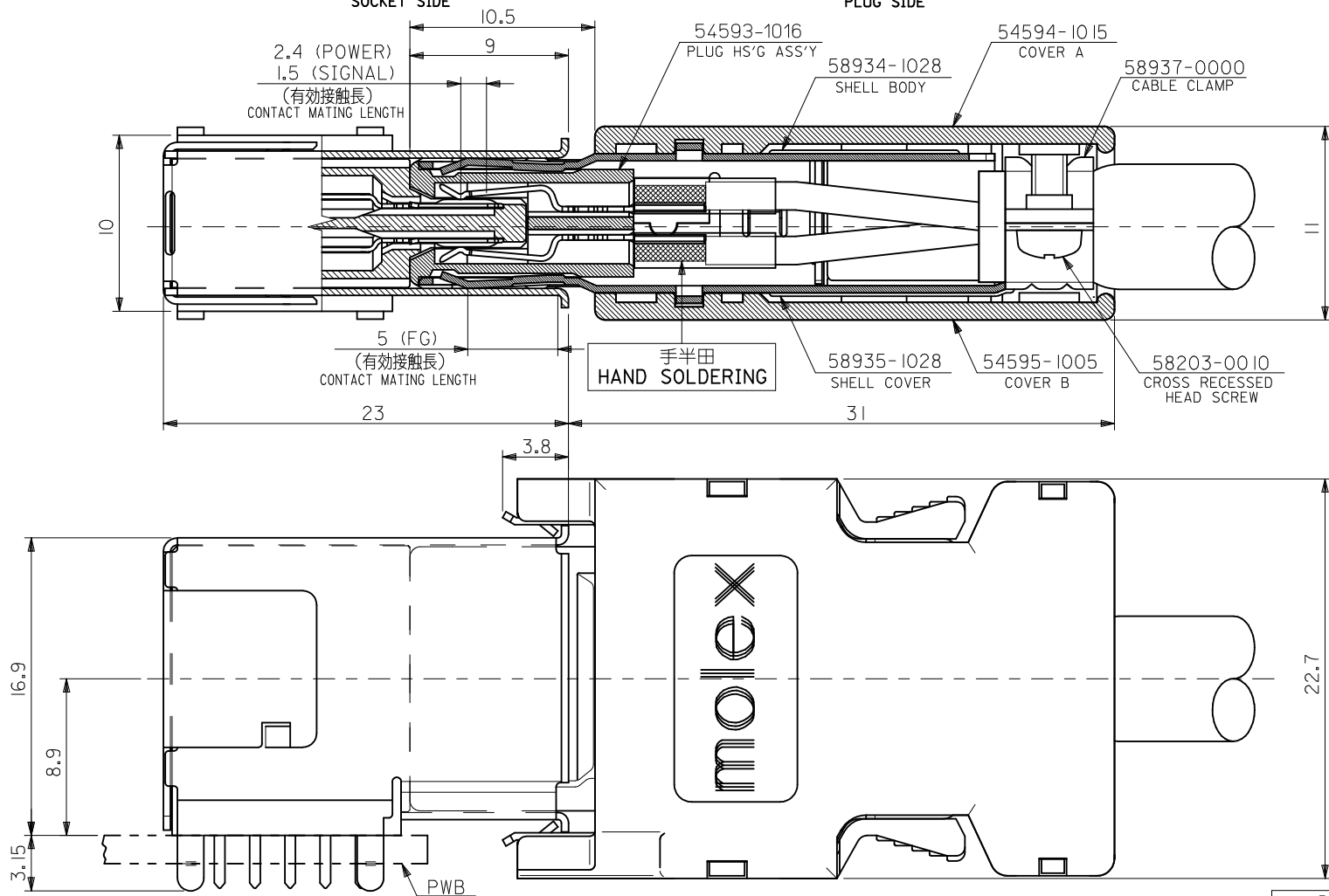


<b>REVISED</b> EC NO: J2010-0635 DRW: NESATO 2010/02/25 CHKD: MATSUMOTO 2010/02/25 APPR: HIRATA 2010/02/25	DESCRIPTION A	GENERAL TOLERANCES (UNLESS SPECIFIED)		DIMENSION STYLE <b>MM ONLY</b>		SCALE ---		54599-101* MODEL NO.			
		10 UNDER ± ---		DRAWN BY DATE M. NABEI 2004/04/14		TITLE 2.0 I/O CONN. HAND/S TYPE PLUG SET -LEAD FREE-		DESIGN UNITS <b>METRIC</b>		THIRD ANGLE PROJECTION	
		10 OVER 30 UNDER ± ---		CHECKED BY DATE K. TOJO 2004/04/14		APPROVED BY DATE HIRATA 2010/02/25		MOLEX INCORPORATED		SHEET NO. 2 OF 2	
		30 OVER ± ---		MATERIAL NO. SEE TABLE		DOCUMENT NO. SD-54599-006		THIS DRAWING CONTAINS INFORMATION THAT IS PROPRIETARY TO MOLEX INCORPORATED AND SHOULD NOT BE USED WITHOUT WRITTEN PERMISSION		EN-02JA(021)	
ANGULAR ± --- °		DRAFT WHERE APPLICABLE MUST REMAIN WITHIN DIMENSIONS		SIZE <b>A3</b>		2010/02/25		2010/02/25		2010/02/25	

9 8 7 6 5 4 3 2 1

ソケット側 (55445-1019)  
SOCKET SIDE

プラグ側 (54599-1019)  
PLUG SIDE



REVISED EC NO: J2010-0635 DRW: NESATO 2010/02/25 CHKD: MATSUMOTO 2010/02/25 APPR: HIRATA 2010/02/25 A	GENERAL TOLERANCES (UNLESS SPECIFIED)		DIMENSION STYLE MM ONLY		SCALE ---		54599-101* MODEL NO.	
	10 UNDER ± ---		DRAWN BY DATE M. NABEI 2004/04/14		TITLE 2.0 I/O CONN. HAND/S TYPE PLUG SET -LEAD FREE-		DESIGN UNITS METRIC	
	10 OVER 30 UNDER ± ---		CHECKED BY DATE K. TOJO 2004/04/14		MOLEX MOLEX INCORPORATED		THIRD ANGLE PROJECTION	
	30 OVER ± ---		APPROVED BY DATE HIRATA 2010/02/25		DOCUMENT NO. SD-54599-006		SHEET NO. 3 OF 3	
ANGULAR ± --- °		DRAFT WHERE APPLICABLE MUST REMAIN WITHIN DIMENSIONS		MATERIAL NO. SEE TABLE		THIS DRAWING CONTAINS INFORMATION THAT IS PROPRIETARY TO MOLEX INCORPORATED AND SHOULD NOT BE USED WITHOUT WRITTEN PERMISSION		