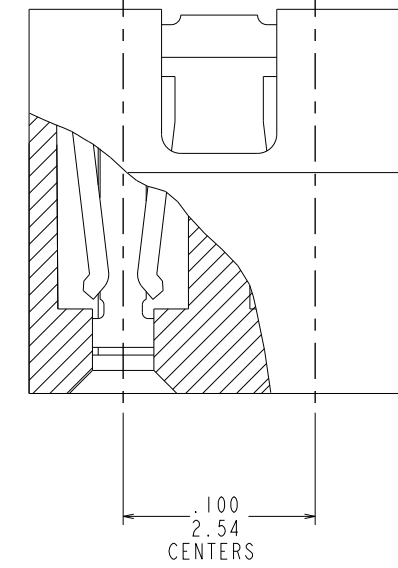
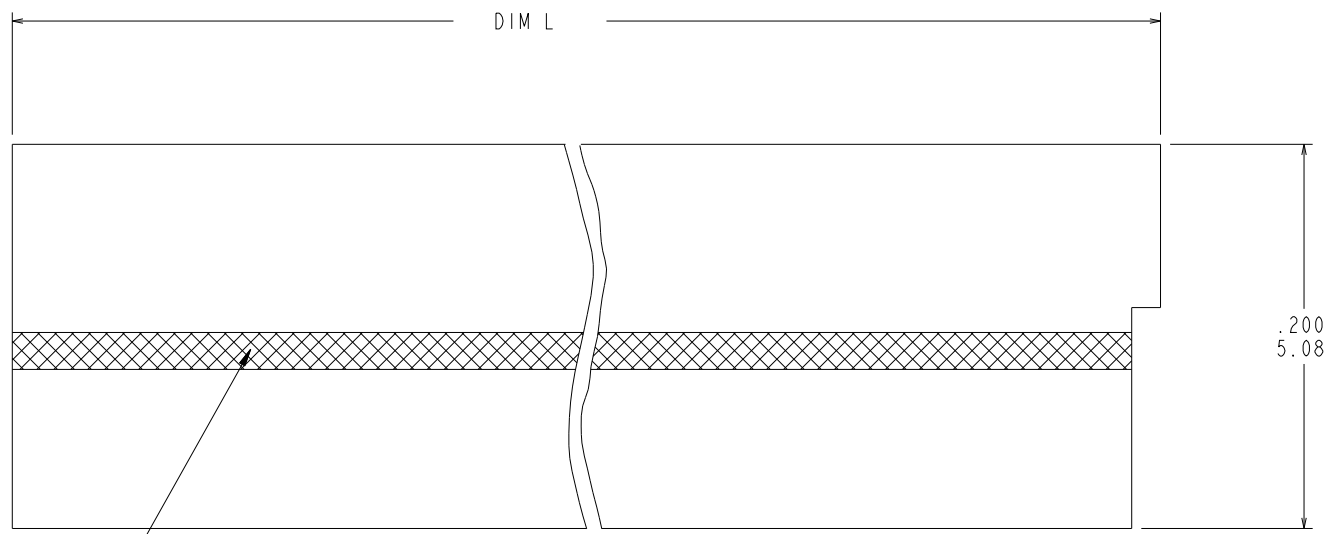


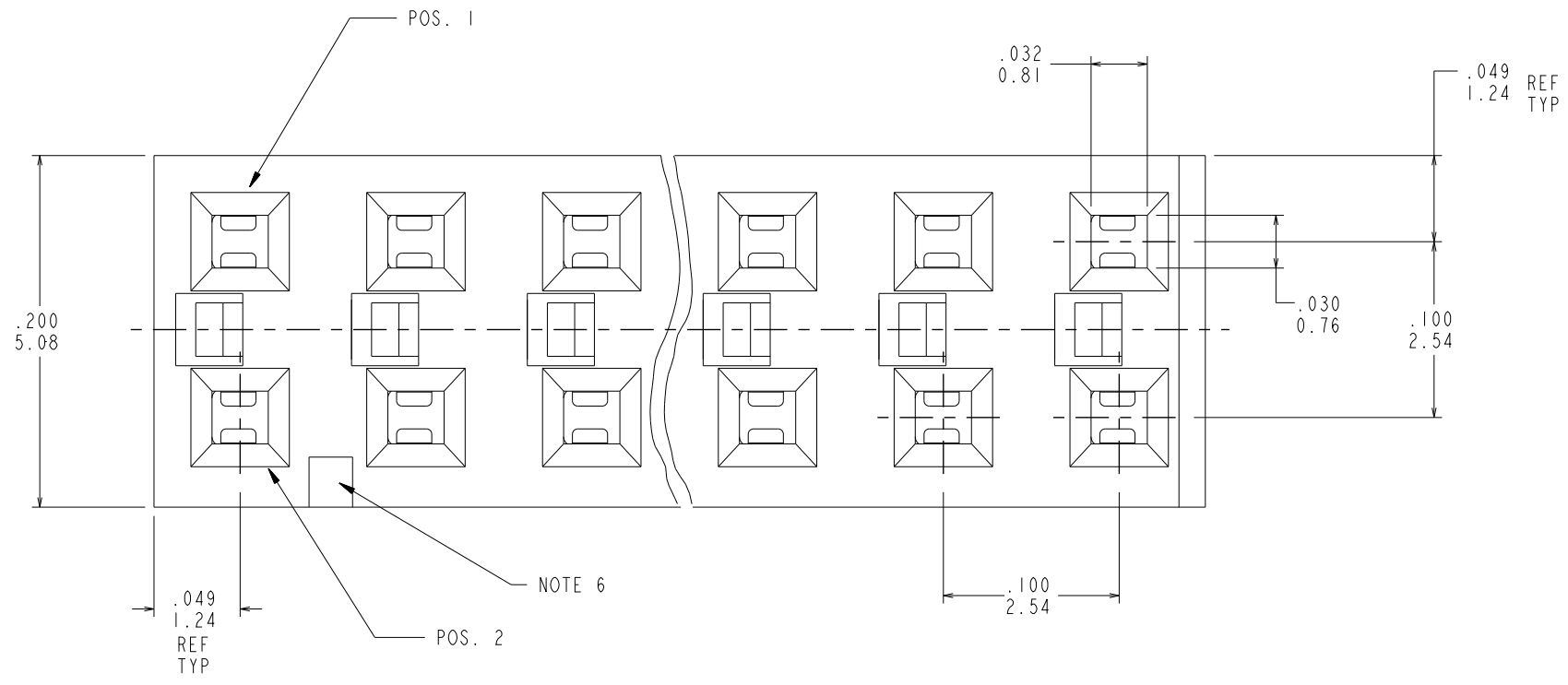
A



B

NOTE 5

C



POS. 1

POS. 2

NOTE 6

.049
1.24
REF
TYP

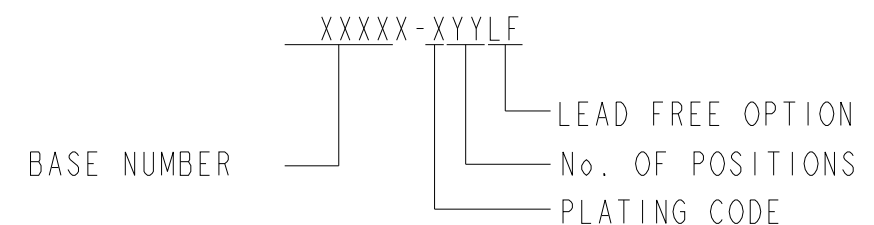


Copyright FCI.

D

spec ref		dr	Yong Huang	2010/10/25	projection	INCH / MM	size	A3	scale	DRAWING SCALE	
tolerance std		eng	Zheng-Kun Hu	2014/09/19			ecn no		ELX-N-18464-1		
TOLERANCES UNLESS OTHERWISE SPECIFIED		chr	-	-			rel level		Released		
surface		appr	Feagle Pan	2014/09/24	product family		dwg no		69145		
linear 0.X ±0.5 0.XX ±0.3 0.XXX ±0.13 angular 0° ±°				title D.R.MULTI POSITION PROFILE JUMPER ASS'Y		rev S		www.fci.com		cat. no.	
				Product - Customer Drw		sheet 1 of 2					

PRODUCT No.	NO. OF POS.	DIM L	DESC PRODUCT NUMBER ON -8XX SERIES ONLY	SELECT LOADING	LEAD FREE OPTION
69145-X04	2 X 2	.1980/5.029	WWWWW-04	NO	NOTE 5
-X06	2 X 3	.2980/7.569	WWWWW-06	NO	
-X08	2 X 4	.3980/10.109	WWWWW-08	NO	
-X10	2 X 5	.4980/12.649	WWWWW-10	NO	
-X12	2 X 6	.5980/15.189	WWWWW-12	NO	
-X14	2 X 7	.6980/17.729	WWWWW-14	NO	
-X16	2 X 8	.7980/20.269	WWWWW-16	NO	
-X18	2 X 9	.8980/22.809	WWWWW-18	YES	
69145-X20	2 X 10	.9980/25.349	WWWWW-20	NO	1-2 9-10 17-18 ONLY FOR 69145-518

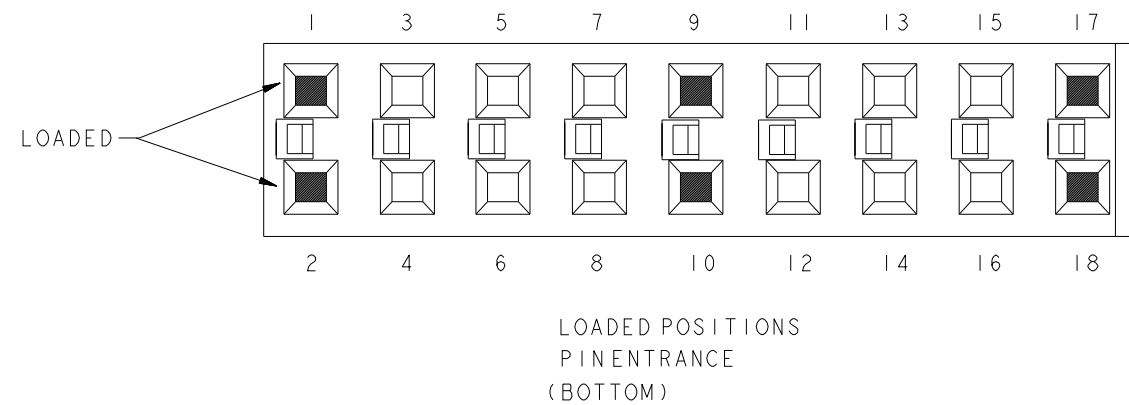


PLATINGS;

- 1XX 15u"/.38u Au or GXT CONTACT AREA
- 2XX 30u"/.76u Au or GXT CONTACT AREA
- 3XXLF 100u"/2.54u Sn CONTACT AREA
- 4XX-Au-FLASH-OVER-50u"-Ni-CONTACT-AREA----- OBSOLETE

NOTES:

- MATERIAL: POLYESTER. FLAME RETARDANT PER UL-94-V0. COLOR - BLACK
- RECOMMENDED APPLICATION DATA:
 - A. ALL MATING PINS TO BE .025/.64 SQ. ON TRUE CENTER OF GIVEN TERMINAL SPACING WITHIN .015/.38 DIA.
 - B. SUGGESTED MATING PIN LENGTH .160/4.06 MIN.
- 69145-518 SELECT LOADED WITH 30u"/.76u GOLD CONTACTS.
- .005/0.13 RECESS PERMISSABLE AT THIS LOCATION FOR ASSEMBLY PROCESSING.
- ADD "LF" SUFFIX AT THE END OF PART NUMBER FOR LEAD FREE OPTION.
- THIS PRODUCT MEETS EUROPEAN UNION DIRECTIVES AND OTHER COUNTRY REGULATION AS DESCRIBED IN GS-22-008.
- THIS PRODUCT IS NOT INTENDED TO BE EXPOSED TO A MANUFACTURING SOLDER PROCESS.
- PRODUCT SPECIFICATION: BUS-12-071.



Copyright FCI.

spec ref	dr	Yong Huang	2010/10/25	projection	INCH/MM	size	A3	scale	DRAWING SCALE
tolerance std	eng	Zheng-Kun Hu	2014/09/19			ecn no	ELX-N-18464-1	rel level	Released
TOLERANCES UNLESS OTHERWISE SPECIFIED									
surface	linear	0.X	±0.5		D.R. MULTI POSITION	dwg no	69145	rev	S
		0.XX	±0.3						
		0.XXX	±0.13						
	angular	0°	±°	www.fci.com	cat. no.	Product - Customer Drw	sheet 2 of 2		