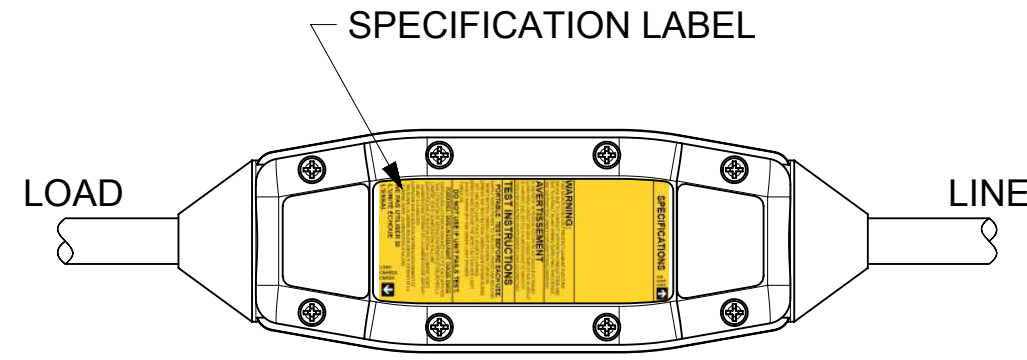
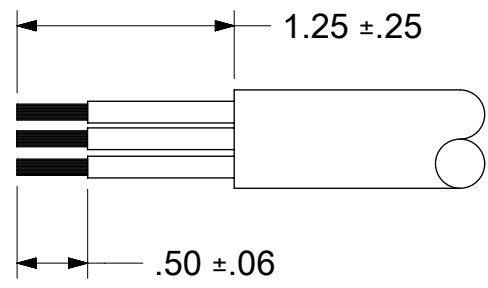
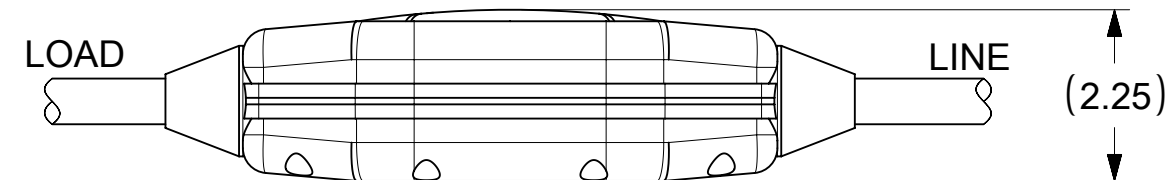
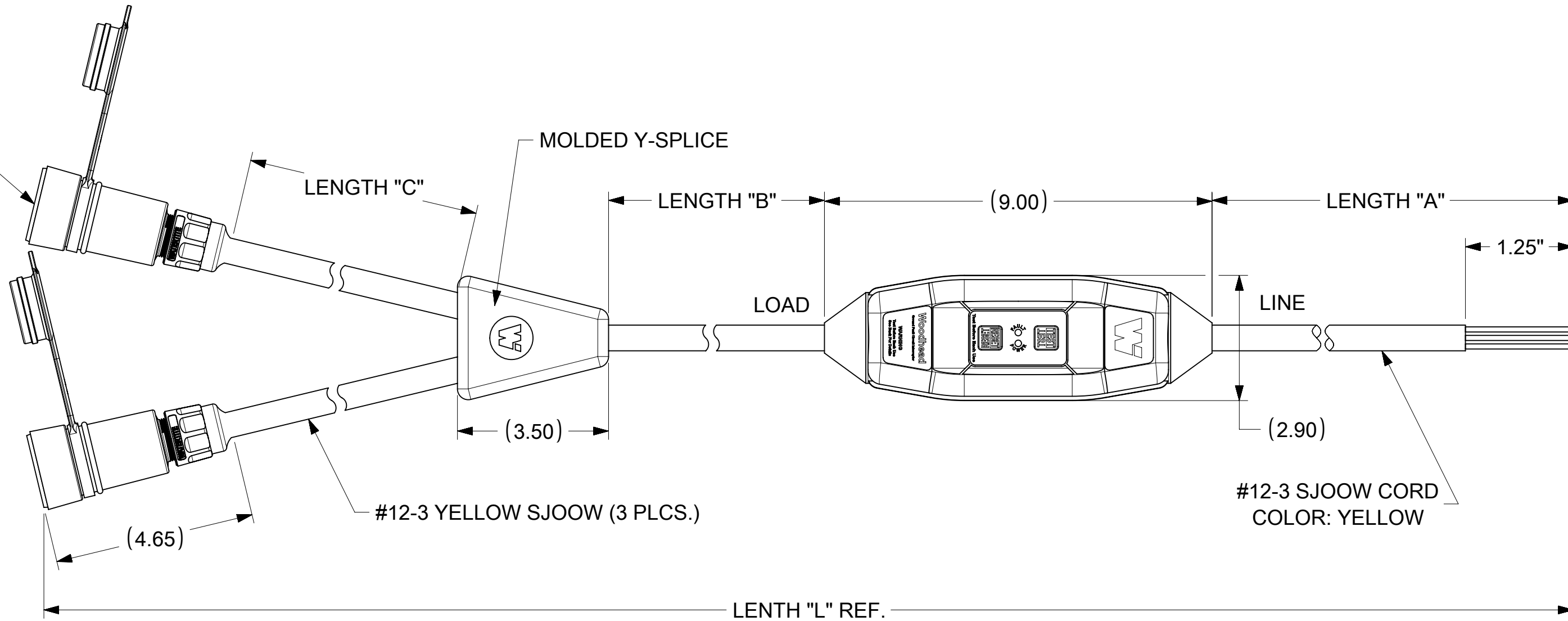


**CORD PREPARATION**



NEMA 5-20  
WATERTITE  
WET LOCATION  
CONNECTOR  
PART NO. 15W33  
COLOR: YELLOW



**TECHNICAL**

AGENCY APPROVAL: UL  
 RATED SUPPLY VOLTAGE: 120 VAC  
 RATED CURRENT: UP TO 20 AMPS  
 RESET TYPE: MANUAL  
 OPERATING FREQUENCY: 60 Hz  
 TYPE: CLASS A  
 GROUND TRIP CURRENT: 5mA +/- 1mA  
 OVERLOAD CURRENT: 120 AMPS, 50% INDUCTIVE  
 INSULATION VOLTAGE: 1,500 VRMS - 1 MINUTE  
 ENDURANCE OPERATIONS: 3000 OPERATIONS  
 ENCLOSURE: TYPE 4X, IP69, IP69K

MATERIAL NO.	ENGINEERING NO.	LENGTH "L"	LENGTH "A"	LENGTH "B"	LENGTH "C"	POWER-UP	LINE PLUG	LOAD CONNECTORS
1301530279	20052-Y-20MH	22 FT & 6 IN	20FT	6 IN	6 IN	MANUAL	N/A	15W33
1301530283	20052-Y-30MH	32 FT & 6 IN	30FT	6 IN	6 IN	MANUAL	N/A	15W33
1301530284	20052-Y-45MH	47 FT & 6 IN	45FT	6 IN	6 IN	MANUAL	N/A	15W33
1301530285	20052-Y-60MH	62 FT & 6 IN	60FT	6 IN	6 IN	MANUAL	N/A	15W33
1301530286	20052-Y-2MH	4 FT & 6 IN	2FT	6 IN	6 IN	MANUAL	N/A	15W33

FUNCTIONAL SYMBOLS FA = 0 FE = 0 FP = 0	THIS DRAWING CONTAINS INFORMATION THAT IS PROPRIETARY TO MOLEX ELECTRONIC TECHNOLOGIES, LLC AND SHOULD NOT BE USED WITHOUT WRITTEN PERMISSION	SCALE INCH NTS	CURRENT REV DESC: NEW SALES DRAWING CREATED	<b>molex</b>
	GENERAL TOLERANCES (UNLESS SPECIFIED) ANGULAR TOL ± °	4 PLACES ±	EC NO: 723836 DRWN: VASUTHKARP 2022/08/01 CHK'D: DNGUYEN62 2023/01/13 APPR: WLEUNG 2023/01/13	
DIVISIONAL SYMBOLS 3 PLACES ± 2 PLACES ± 1 PLACE ± 0 PLACES ±	DRAFT WHERE APPLICABLE MUST REMAIN WITHIN DIMENSIONS	THIRD ANGLE PROJECTION	DRAWING SERIES C-SIZE 130153	PRODUCT CUSTOMER DRAWING
INITIAL REVISION: DRWN: HRUIZ01 2013/02/11 APPR: HNEELAN 2018/08/21		DOCUMENT NUMBER <b>SD-130153-0279</b>	MATERIAL NUMBER SEE TABLE	DOC TYPE DOC PART REVISION PSD 001 D
DOCUMENT STATUS P1 RELEASE DATE 2023/01/13 20:53:18		CUSTOMER GENERAL MARKET	SHEET NUMBER 1 OF 1	