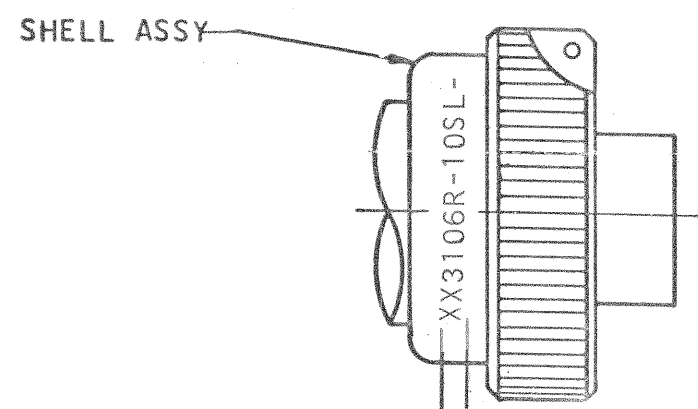
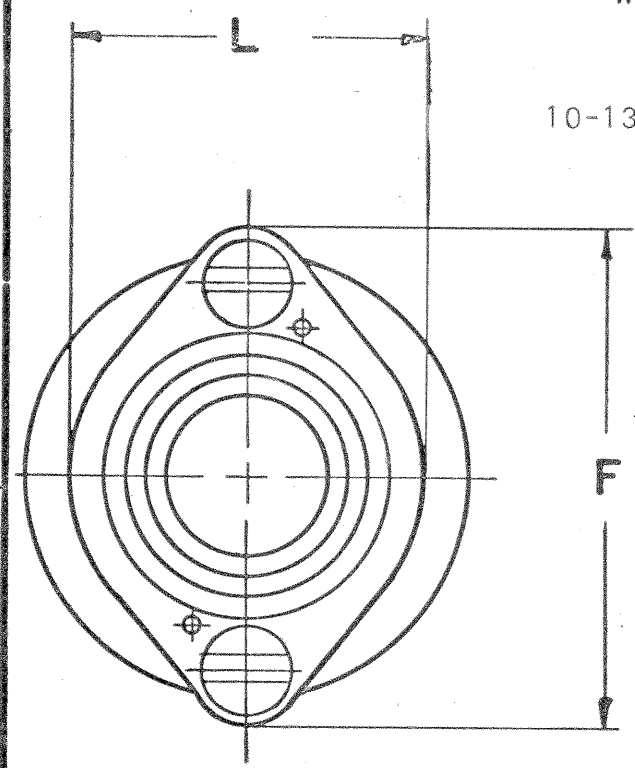


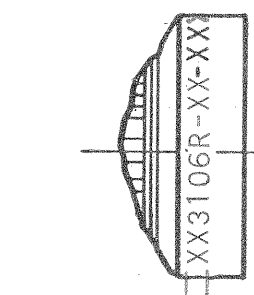
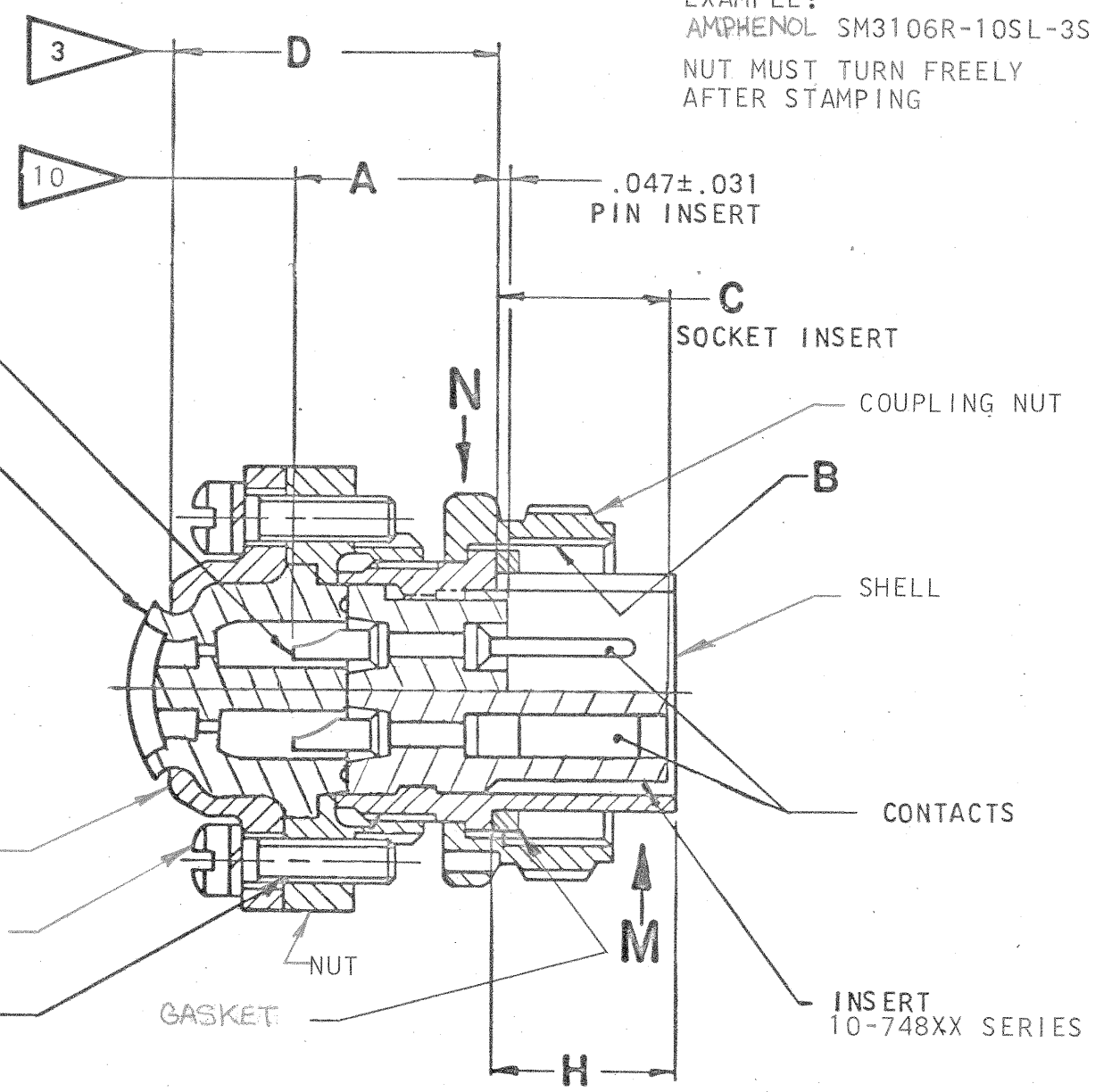
35508-462		REVISIONS		
ZONE	LTR	DISCRIPTION	DATE	APPROVED
	A12	REDRAWN SAME SIZE; REVISED & STANDARDIZED (SEE CHANGE NOTICE) ECN: 55525-43	11-30-72 LAMBRECHT	<i>[Signature]</i>
	B	(MFG); ADD 9-3895 (PROCESS SPEC); REV STAMPING NOTES ECN 57216-1	12-22-75 <i>[Signature]</i>	<i>[Signature]</i>
	C	(MFG); REV STAMPING NOTE 13 ECN 57738-4	5-19-76 BOWKER	<i>[Signature]</i>
	D	(CL II) WAS 10-101937-12 (PACKING -10SL) ECN: 71290-1	7-15-80 LONGWELL	<i>[Signature]</i>
	E	(CL II) SEE CHANGE NOTICE ECN: 74790-5	12-14-83 Prescott	<i>[Signature]</i>
	F	(CL II) SEE ECN 87190	<i>[Signature]</i>	<i>[Signature]</i>
	G	(CL I) SEE CHANGE NOTICE ECN: A3023	1-23-09	H.BROOKER



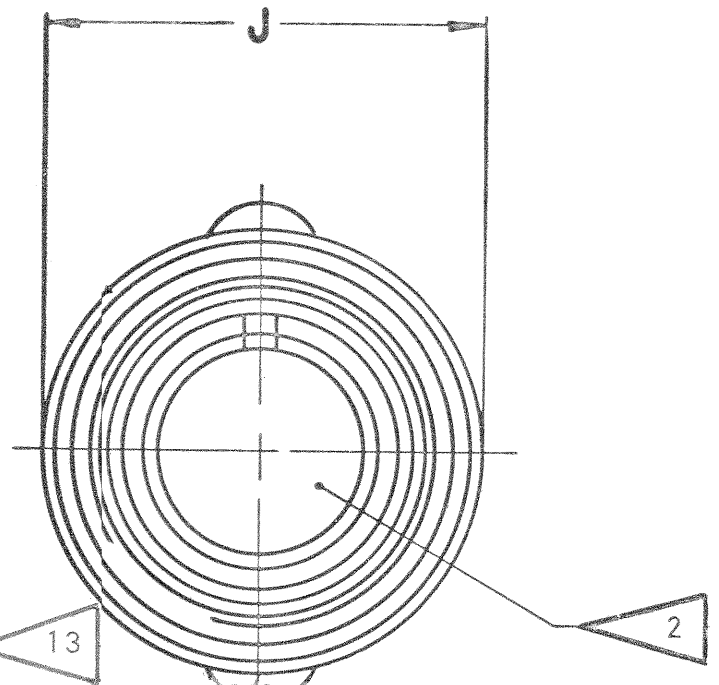
STAMP "AMPHENOL", DATE CODE (9-3895) & MS NO. PER 9-2811  
 EXAMPLE: AMPHENOL-7539 JMS3106R-10SL-3S  
 OR  
 STAMP "AMPHENOL" & SM NO. PER 9-2811  
 EXAMPLE: AMPHENOL SM3106R-10SL-3S  
 NUT MUST TURN FREELY AFTER STAMPING



SEE SOLDER WELL DATA  
 GROMMET 10-1319XX SERIES



STAMP MS NO., "AMPHENOL" & DATE CODE (9-3895) OPPOSITE KEYWAY PER 9-2811  
 EXAMPLE: JMS3106R-8S-1S AMPHENOL-7539  
 OR  
 STAMP SM NO. OPPOSITE KEYWAY PER 9-2811  
 EXAMPLE: SM3106R-8S-1S



CONTACT DATA (WHERE APPLICABLE)			
THERMOCOUPLE		COAXIAL	
MATERIAL	IDENTIFICATION	ARR	CABLE
CHROMEL	WHITE		
ALUMEL	GREEN		
IRON	BLACK		
CONSTANTAN	YELLOW		

INSERT ARRANGEMENTS CONTAINING THERMOCOUPLE OR COAXIAL CONTACTS MUST HAVE SUCH CONTACTS ASSEMBLED INTO THE INSERT IN PROPER LOCATIONS AS SPECIFIED BY APPLICABLE DRAWING L-11908-(-) THRU L-11948-(-).

STANDARD SOLDER WELL DATA							SPECIAL SOLDER WELL DATA			THERMOCOUPLE	
CONTACT SIZE	0	4	8	12	16	8 FOR NO. 6 WIRE	12 FOR NO. 10 WIRE	16 FOR NO. 12 WIRE	12	16	
WELL DIA	.469 <sup>+</sup> .005 -.003	.332 <sup>+</sup> .005 -.003	.209 <sup>+</sup> .004 -.002	.116 <sup>+</sup> .004 -.002	.078 <sup>+</sup> .004 -.002	.250±.003	.152 <sup>+</sup> .004 -.002	.109 <sup>+</sup> .004 -.001	.125 <sup>+</sup> .004 -.002	.094 <sup>+</sup> .004 -.002	
WELL DEPTH	.625	.625	.500	.375	.250	.500	.250	.188	.250	.188	

FIND NO.	QTY REQD	CODE IDENT	PART NUMBER	DESCRIPTION	NOTE REF
UNLESS OTHERWISE SPECIFIED LINEAR DIMENSIONS ARE IN INCHES. TOLERANCES: .XXX ± .010, .XX ± .03, .X ± .1, ANGLES ± 2°. OTHER STANDARDS PER 9-3800 AND MIL-D-1000. NOTE REF					
MATERIAL SPEC			PROCESS SPEC TEST	SIGNATURES	
9-3106-5			ASSY	E. PESSAGNO 1-7-66	
9-3103-1				CHECKED <i>[Signature]</i> 10-2-73	
9-2437				APPROVED <i>[Signature]</i> 12-7-72	
9-2811				APPROVED <i>[Signature]</i> 10-4-73	
9-3895					

THE BENDIX CORPORATION  
 ELECTRICAL COMPONENTS DIVISION  
 SIDNEY, NEW YORK

TITLE: CONNECTOR, ELECTRICAL PLUG, TYPE MS-R, SM-R (MC)

SIZE: C  
 CODE IDENT NO: 77820  
 10-190608 THRU 10-190650

SCALE: NONE  
 SEE PARTS LIST  
 REF: 10-131608/50  
 SHEET: 1 OF 2

SEE SHEET 2 NOTES;

USE OF THIS DOCUMENT IS UNLIMITED. DOCUMENTS REFERENCED HEREON CONTAIN LIMITED RIGHTS DATA.

NEXT ASSEMBLY

4

3

2

1

ASSEMBLY NUMBER	13 14 MS OR SM NO.		SHELL SIZE	SHELL	COUPLING NUT	SLEEVE	NUT	SCREW (2 REQ'D)	PACKING	A MAX	B THREAD CLASS 2B	C +.047 -.000	D MAX	F MAX	G THREAD CLASS 2	H ±.005	J DIA MAX	L DIA MAX
10-190608-	3106R-8S-		-8S	10-37266-8	10-37265-8	10-130029-83	10-130028-83	10-101152--83	10-101937-08	.607	.500 -28UNEF	.531	1.057	.959	6-32UNC	.531	.741	.557
10-190610-	-10S-		-10S	10-37266-10	10-37265-10		-103	10-101152-83	10-101937-10		.625 -24UNEF			1.026			.875	.682
10-190611-	-10SL-		-10SL	10-113488-11	(SHELL ASSY)		-123		10-101937-10		.625 -24UNEF			1.120			.946	.807
10-190612-	-12S-		-12S	10-37266-12	10-37265-12		-123		10-101937-12		.750 -20UNEF			1.120			.995	.807
10-190613-	-12-		-12		-13		-123		10-101937-12	.857	.750 -20UNEF	.719	1.212	1.120		.719	.995	.807
10-190614-	-14S-		-14S	-14	-14		-143		10-101937-14	.607	.875 -20UNEF	.531	1.057	1.307		.531	1.123	.932
10-190615-	-14-		-14	-15	-15		-143		10-101937-14	.857	.875 -20UNEF	.719	1.212	1.307		.719	1.123	.932
10-190616-	-16S-		-16S	-16	-16		-163		10-101937-16	.607	1.000 -20UNEF	.531	1.057	1.432		.531	1.250	1.057
10-190617-	-16-		-16	-17	-17		-163		10-101937-16	.857	1.000 -20UNEF	.719	1.212	1.432		.719	1.250	1.057
10-190618-	-18-		-18	-18	-18		-183		10-101937-18		1.125 -18UNEF			1.557			1.333	1.182
10-190620-	-20-		-20	-20	-20		-203	10-101151-83	10-101937-20		1.250 -18UNEF			1.744	8-32UNC		1.461	1.291
10-190622-	-22-		-22	-22	-22		-223	10-101151-83	10-101937-22		1.375 -18UNEF			1.869	8-32UNC		1.588	1.432
10-190624-	-24-		-24	-24	-24		-243	10-101151-93	10-101937-24		1.500 -18UNEF		1.291	1.994			1.715	1.557
10-190628-	-28-		-28	-28	-28		-283	10-101151-93	10-101937-28		1.750 -18UNS			2.166			1.968	1.807
10-190632-	-32-		-32	-32	-32		-323	10-101270-93	10-101937-32		2.000 -18UNS		1.353	2.541	10-32UNF		2.209	2.057
10-190636-	-36-		-36	-36	-36		-363		10-101937-36		2.250 -16UN			2.729			2.463	2.260
10-190640-	-40-		-40	-40	-40		-403		10-101937-40		2.500 -16UN			2.979			2.719	2.510
10-190641/50-				NOT AVAILABLE														



8. ALL LOCKWIRE HOLES ARE .045 DIA MIN.
7. LUBRICATE PACKING WITH A THIN COATING OF COMPOUND MIL-S-8660.
6. SEE DRAWING 10-190208 THRU 10-190250 & OTHERS FOR MATING RECEPTACLE ASSEMBLIES.
5. TO COMPLETE ASSY NO., MS NO., OR SM NO., ADD APPLICABLE INSERT ARRANGEMENT SUFFIX TO BASE NUMBERS LISTED ABOVE (FOR ALTERNATE ARRANGEMENTS, REFER TO 9-2437).
4. SEE WORK ORDER FOR PERMISSIBLE ADDITIONAL OR ALTERNATE STAMPING.
3. DIMENSION INDICATES FINAL INSTALLATION. FOR STORAGE & SHIPPING, NUT & SLEEVE MUST BE LOOSELY COUPLED.
2. FOR CONTACT SIZE, SPACING & SERVICE RATING SEE DRAWINGS MS33680 THRU MS33693 & L-11908/48.
1. FOR COMPONENT PART NUMBERS, QUANTITIES AND RELEASE STATUS OF THE DESIRED UNIT, SEE SEPARATE PARTS LIST.
14. CONNECTOR ASSEMBLIES 10-190608-50/ 10-190650-50/-99, EXCEPT THOSE LISTED IN NOTE 13, ARE STAMPED WITH SM NO.
13. CONNECTOR ASSEMBLIES 10-190608-1/-49 THRU 10-190650-1/-49 AND 10-190636-52, 10-190640-56 AND 10-190640-62 ARE STAMPED WITH MS NO.
12. ALL UNUSED GROMMET HOLES MUST BE FILLED WITH APPROPRIATE SIZE SEALING PLUGS; SEALING PLUGS ARE PART OF MS STAMPED ASSEMBLIES ONLY.
11. PACKAGE PER PRODUCTION PROCESS SHEET.
10. INCREASE "A" DIMENSION BY .312 FOR SIZE "0" CONTACT ONLY.
9. UNITS ILLUSTRATED MEET THE MATERIAL & FINISH REQUIREMENTS OF MIL-C-5015.

NOTES:

SIZE C	CODE IDENT NO. 77820	10-190608 THRU 10-190650
SCALE	REF	SHEET 2

10-190608/50