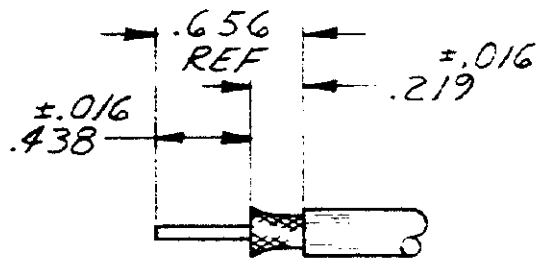
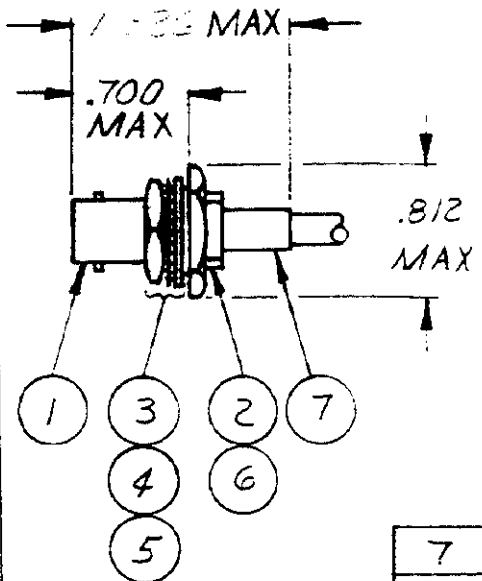


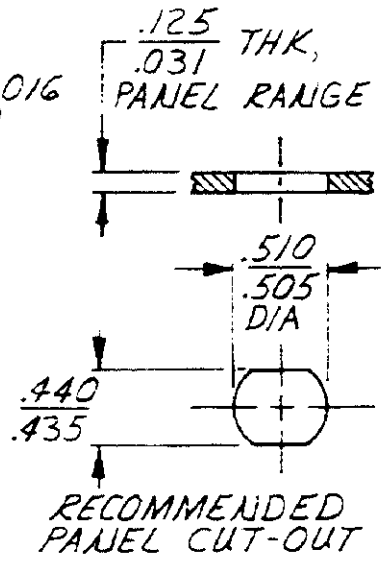
REVISIONS					
P	F	LTR	DESCRIPTION	DATE	APPROVED
✓		F	REV-REDWN	CB2-515	25/34

THIS DRAWING IS UNPUBLISHED. RELEASED FOR PUBLICATION BY AMP INCORPORATED, HARRISBURG, PA. ALL INTERNATIONAL RIGHTS RESERVED. AMP PRODUCTS MAY BE COVERED BY U.S. AND FOREIGN PATENTS AND/OR PATENTS PENDING.

- FOR USE WITH: *1-12 / 1799-3* CABLE
- CRIMPING TOOL: *2-12-1*
- SEE I.S. 1799-3.



RECOMMENDED STRIP LENGTH



RECOMMENDED PANEL CUT-OUT

ITEM	QTY	DESCRIPTION	PART NO
7	1	FERRULE	328666
6	1	GASKET	2-329106-1
5	1	LOCK WASHER	329632
4	1	JAM NUT	329631
3	1	GASKET	329633
2	1	CRIMP END ASSY	50793-4
1	1	JACK ASSY, BHD	329803

UNLESS OTHERWISE SPECIFIED DIMENSIONS ARE IN INCHES. TOLERANCES ON: DECIMALS ± .005 ANGLES ± .015

CONTRACT NO	DR <i>M. E. Smith</i> 5-3-53
CHK	<i>S. S. Heide</i> 9/3/53
APPD	<i>M. L. Harris</i> 12/2/53
APPD	<i>M. L. Harris</i> 7/2
DSGN APPD	
OTHER APPD	

AMP | AMP INCORPORATED
Harrisburg, Pa. 17105

NAME *CONNECTOR, COAXIAL, RF JACK, BHD, SERIES BNC*

SIZE **A** FSCM NO **00779** DRAWING NO *2-329092-1*

SCALE *NTS* SHEET _____