

GENERAL SPECIFICATIONS FOR SW3000s

Electrical Capacity (Resistive & Inductive Load)

Power Level: Shown in the following tables

Other Ratings

Contact Resistance:	10 milliohms maximum
Insulation Resistance:	200 megohms minimum @ 500V DC for SW3211 & SW3116 1,000 megohms minimum @ 500V DC for SW3001A ~ SW3008A
Dielectric Strength:	1,500V AC minimum for 1 minute minimum for SW3211 & SW3116 2,000V AC minimum for 1 minute minimum for SW3001A ~ 3008A
Mechanical Life:	30,000 operations minimum
Electrical Life:	10,000 operations minimum
Angle of Throw (α):	Shown on drawings or following tables

Materials & Finishes

Rocker:	Polycarbonate for SW3211; urea resin for all others; all rockers are white.
Mounting Frame:	Steel with chromate plating over zinc plating
Case Cover/Insulator:	Phenolic resin
Case:	Phenolic resin for SW3211 & SW3116; melamine phenol for SW3000s
Movable Contactor Plate:	Copper with silver plating
Movable & Stationary Contacts:	Brass or phosphor bronze with silver plating for SW3116; silver alloy plus copper with silver plating for all other models
Terminals:	Copper with tin plating for SW3001 ~ SW3008A; Brass, copper, or phosphor bronze with silver plating for SW3116 & SW3211

Environmental Data

Operating Temp Range:	-10°C through +70°C (+14°F through +158°F)
Sealing:	Dustproof cover of silicone rubber on SW3006A, SW3007A, & SW3008A

Installation

Maximum Panel Thickness:	Shown with following drawings
Soldering Time & Temperature:	4 seconds max. @ 410°C max. for manual soldering

Standards & Certifications



UL Recognized: Designated with UL recognized symbol beside part numbers on following pages
See Supplement section to find UL rating details. UL File No. WOYR2.E44145
Add "/U" to end of part number to order UL mark on switch.





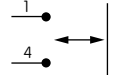


CSA Certified: Designated with CSA certified symbol beside part numbers on following pages
See Supplement section to find CSA rating details. CSA File No. 023535-0-000;
Add "/C" to end of part number to order CSA mark on switch.

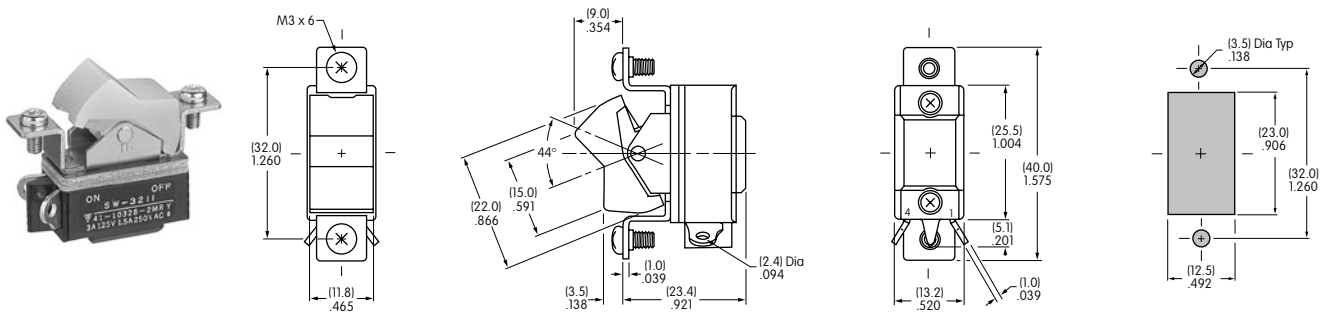


VDE Approved: SW3006A at 20A @ 125V AC & 10A @ 250V AC; VDE License No. 119189;
Add "/V" to end of part number to order VDE mark on switch.

SINGLE POLE WITH SOLDER LUG

Model	Approvals	Pole	Rocker Position/Connected Terminals			Electrical Capacity			
			Down	Center	Up	Resistive			Inductive
			AC 125V	AC 250V	DC 30V	AC 125V PF 0.6			
SW3211	— 	SPST	 ON 1-4	 NONE	 OFF —	3A	1.5A	1.5A	1.5A
Throw & Schematic:			SPST			Note: Terminal numbers are actually on the switch.			






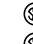

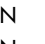

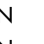
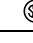
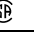
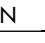



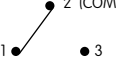
- Solder lug terminal hole accommodates one 12-gauge solid or stranded wire.



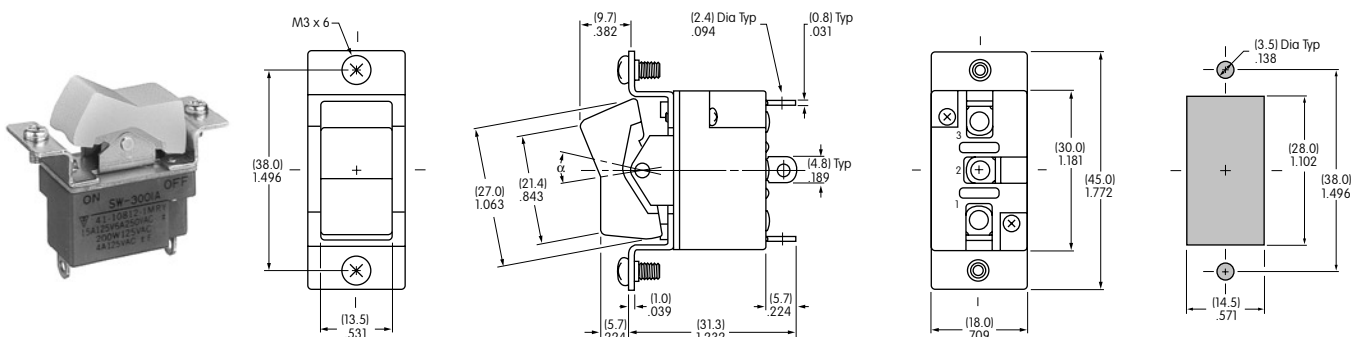
SW3211

Maximum Effective Panel Thickness
.118" (3.0mm)

SINGLE POLE WITH SOLDER LUG

Model	Approvals	Pole	Rocker Position/Connected Terminals			Electrical Capacity				α = Angle of Throw
			Down	Center	Up	Resistive			Inductive	
			AC 125V	AC 250V	DC 30V	AC 125V PF 0.6				
SW3001A	 	SPST	 ON 1-3	 NONE	 OFF —	15A	6A	15A	10A	24°
SW3002A	 	SPDT	 ON 2-3	 NONE	 ON 2-1	15A	6A	15A	10A	24°
SW3003A	 	SPDT	 ON 2-3	 OFF	 ON 2-1	15A	6A	15A	10A	28°
Throw & Schematics:			SPST			SPDT				Note: Terminal numbers are actually on the switch.

- Solder lug terminal hole accommodates one 12-gauge solid or stranded wire.



SW3001A

Maximum Effective Panel Thickness: .197" (5.0mm) for SW3001A & SW3002A models; .177" (4.5mm) for SW3003A models

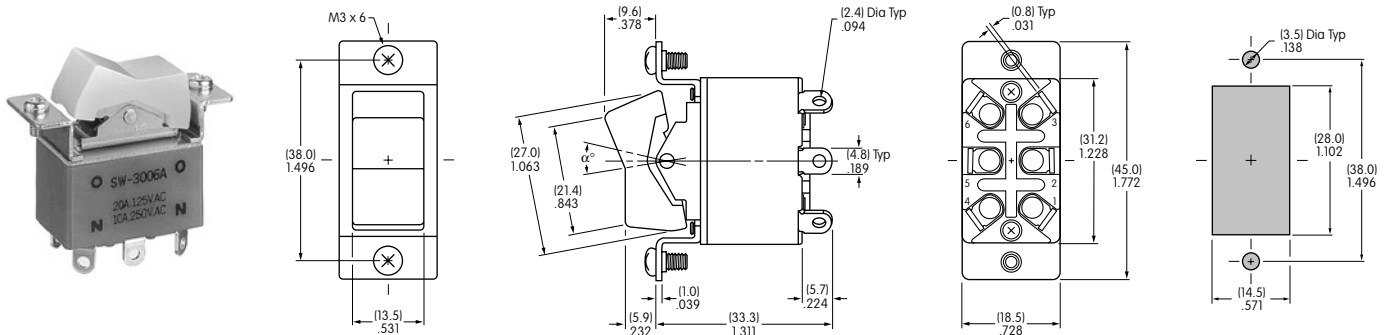
DOUBLE POLE WITH SOLDER LUG

Model	Approvals	Pole	Rocker Position/Connected Terminals						Electrical Capacity				α = Angle of Throw
			Down		Center	Up		Resistive			Inductive		
			ON	2-3 5-6	NONE	ON	2-1 5-4	AC 125V	AC 250V	DC 30V	AC 125V PF 0.6		
SW3006A	UL, SF	DPDT	ON	2-3 5-6	NONE	ON	2-1 5-4	20A	10A	20A	10A	24°	
SW3007A	—, SF	DPDT	ON	2-3 5-6	OFF	ON	2-1 5-4	15A	6A	15A	10A	28°	
SW3008A	—, —	DPDT	MOM	2-3 5-6	OFF	MOM	2-1 5-4	15A	6A	15A	10A	24°	

Throw & Schematic: DPDT

Note: Terminal numbers are actually on the switch.

- Solder lug terminal hole accommodates one 12-gauge solid or stranded wire.



SW3006A

Maximum Effective Panel Thickness: .197" (5.0mm) for SW3006A & SW3008A models; .177" (4.5mm) for SW3007A models

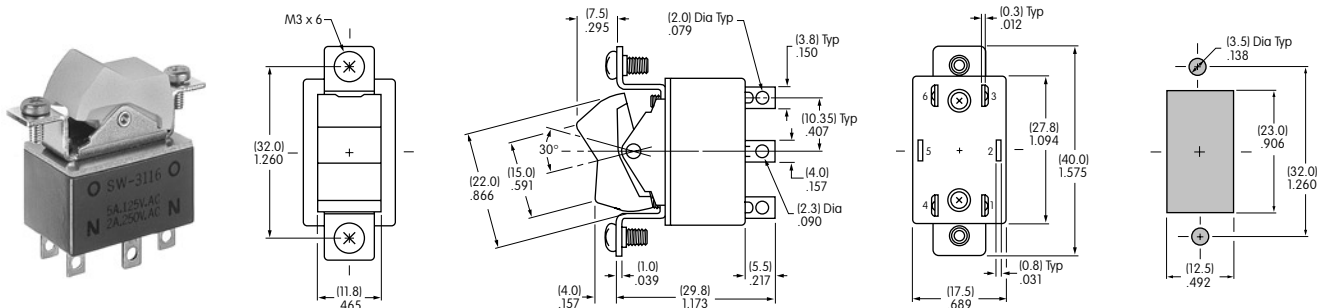
DOUBLE POLE WITH SOLDER LUG

Model	Approvals	Pole	Rocker Position/Connected Terminals						Electrical Capacity			
			Down		Center	Up		Resistive			Inductive	
			ON	2-1 5-4	NONE	ON	2-3 5-6	AC 125V	AC 250V	DC 30V	AC 125V PF 0.6	
SW3116	—, SF	DPDT	ON	2-1 5-4	NONE	ON	2-3 5-6	5A	2A	5A	3A	

Throw & Schematic: DPDT

Note: Terminal numbers are actually on the switch.

- Solder lug terminal hole accommodates one 14-gauge solid or stranded wire.



SW3116

Maximum Effective Panel Thickness .118" (3.0mm)

GENERAL SPECIFICATIONS FOR SW3800s

Electrical Capacity (Resistive & Inductive Load)

Power Level: Shown in the following tables

Note: See Supplement section for details of design for inductive DC loads.

Other Ratings

Contact Resistance:	10 milliohms maximum
Insulation Resistance:	1,000 megohms minimum @ 500V DC
Dielectric Strength:	2,000V AC minimum for 1 minute minimum
Mechanical Life:	50,000 operations minimum
Electrical Life:	25,000 operations minimum
Angle of Throw:	Shown on following drawings
Nominal Operating Force:	1,800 grams for SW3822 2,200 grams for SW3823 Off to On 800 grams for SW3823 On to Off

Materials & Finishes

Rocker:	Urea resin; all rockers are white.
Mounting Frame:	Steel with chromate plating over zinc plating
Case Cover/Insulator:	Phenolic resin
Case:	Melamine phenol
Movable Contacts:	Copper with silver plating
Stationary Contacts:	Silver alloy plus copper with silver plating
Terminals:	Brass (terminal screws of brass with nickel plating)

Environmental Data

Operating Temp Range: -10°C through +70°C (+14°F through +158°F)

Standards & Certifications



UL recognition & CSA certification symbols shown on following pages

UL File No. WOYR2.E44145;

CSA File No. 023535-0-000.

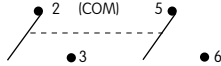
See Supplement section to find additional details.

DOUBLE POLE WITH SCREW LUG

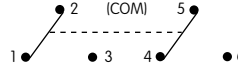
Model	Approvals	Pole	Rocker Position/Connected Terminals					Electrical Capacity					
			Down	Center	Up	Resistive				Inductive			
						AC 125V	AC 250V	DC 30V	DC 125V	AC 125V PF 0.6	AC 250V PF 0.6		
SW3821		DPST	ON	2-3 5-6	NONE	OFF	—	30A	30A	30A	1A	30A	15A
SW3822		DPDT	ON	2-3 5-6	NONE	ON	2-1 5-4	30A	30A	30A	1A	30A	15A
SW3823		DPDT	ON	2-3 5-6	OFF	ON	2-1 5-4	30A	30A	30A	1A	30A	15A
SW3821D		DPST	ON	2-3 5-6	NONE	OFF	—	—	—	30A	15A	—	—
SW3822D		DPDT	ON	2-3 5-6	NONE	ON	2-1 5-4	—	—	30A	15A	—	—
SW3823D		DPDT	ON	2-3 5-6	OFF	ON	2-1 5-4	—	—	30A	15A	—	—

Throw & Schematics:

DPST



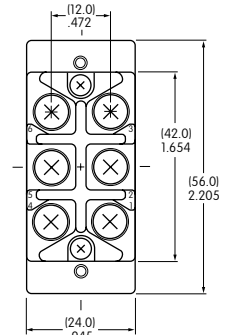
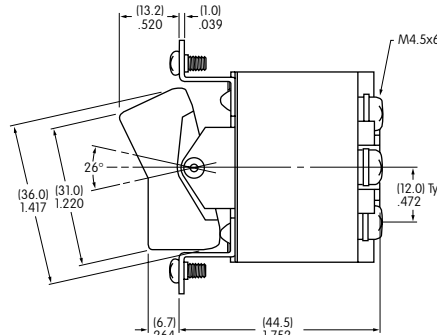
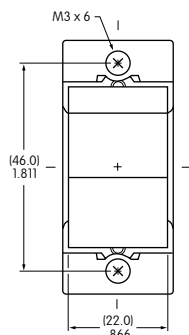
DPDT



Note: Terminal numbers are actually on the switch.



SW3822



SW3821 & SW3821D do not have terminals 1 & 4.

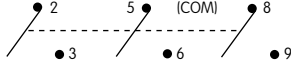
Maximum Effective Panel Thickness .177" (4.5mm)
Panel cutout shown below.

THREE POLE WITH SCREW LUG

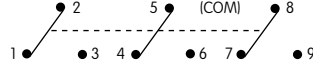
Model	Approvals	Pole	Rocker Position/Connected Terminals					Electrical Capacity					
			Down	Center	Up	Resistive				Inductive			
						AC 125V	AC 250V	DC 30V	DC 125V	AC 125V PF 0.6	AC 250V PF 0.6		
SW3831		3PST	ON	2-3 5-6 8-9	NONE	OFF	—	30A	30A	30A	1A	30A	15A
SW3832		3PDT	ON	2-3 5-6 8-9	NONE	ON	2-1 5-4 8-7	30A	30A	30A	1A	30A	15A
SW3833		3PDT	ON	2-3 5-6 8-9	OFF	ON	2-1 5-4 8-7	30A	30A	30A	1A	30A	15A
SW3831D		3PST	ON	2-3 5-6 8-9	NONE	OFF	—	—	—	30A	15A	—	—
SW3832D		3PDT	ON	2-3 5-6 8-9	NONE	ON	2-1 5-4 8-7	—	—	30A	15A	—	—
SW3833D		3PDT	ON	2-3 5-6 8-9	OFF	ON	2-1 5-4 8-7	—	—	30A	15A	—	—

Throw & Schematics:

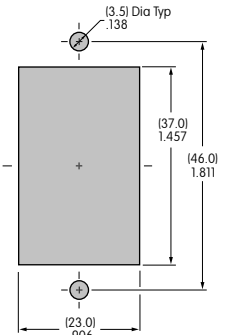
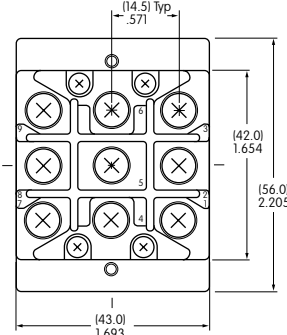
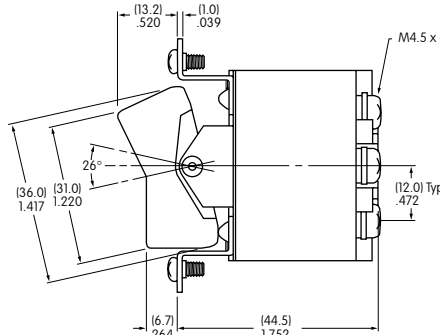
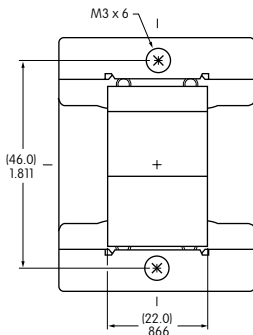
3PST



3PDT



Note: Terminal numbers are actually on the switch.



SW3831 & SW3831D do not have terminals 1, 4 & 7.

Maximum Effective Panel Thickness .177" (4.5mm)