

Flange plate robot application

FLAN-PL FAN-2

Part no...:10.03.01.00518

<https://www.schmalz.com/10.03.01.00518>

Home > Vacuum Technology for Automation > Vacuum Components > Vacuum Generators > Vacuum Generators End-of-Arm > FLAN-PL FAN-2

Flange plate (round)

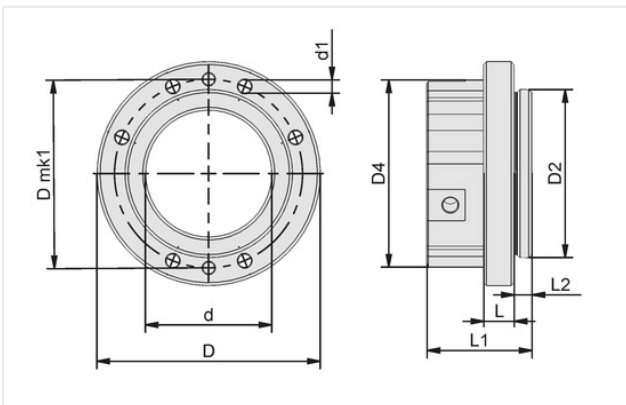


Length L: 10.4 mm

Type: FAN-2

Type: CR-15IA

Design Data



Attribute	Value
d	43 mm
d1	4.50 mm
D	76 mm
D mk1	64 mm
D2	57 mm
D4	63.50 mm
L	10.40 mm
L1	35.70 mm
L2	6 mm