



## Main

Range of Product	Telemecanique Cabling components
Accessory / separate part category	Cabling accessories
Accessory / Separate Part Type	Connector
Electrical connection	Elbowed male connector M12, 5 pins
Collar material	Metal
Status LED	Without
Cable connection	Screw terminal 0.00 in <sup>2</sup> (0.75 mm <sup>2</sup> ) 0.12...0.24 in (3...6 mm)

## Complementary

Cable gland type	Pg 7
Cable connector fixing	Screw-on
[Ue] rated operational voltage	30 V AC 36 V DC
Line Rated Current	3 A
Enclosure Material	Plastic
Minimum insulating resistance	1000 GΩ
Contact resistance	8000 μOhm
Net Weight	0.06 lb(US) (0.025 kg)

## Environment

IP Degree of Protection	IP67
Ambient air temperature for operation	-40...185 °F (-40...85 °C)




## Ordering and shipping details

Category	22483 - MACHINE CABLES
Discount Schedule	DS3
GTIN	00785901634041
Nbr. of units in pkg.	1
Package weight(Lbs)	1 lb(US) (0.45 kg)
Returnability	Yes
Country of origin	CZ

## Packing Units

Unit Type of Package 1	PCE
Package 1 Height	1.26 in (3.2 cm)
Package 1 width	1.89 in (4.8 cm)
Package 1 Length	4.76 in (12.1 cm)
Unit Type of Package 2	S01
Number of Units in Package 2	50
Package 2 Weight	3.42 lb(US) (1.55 kg)
Package 2 Height	5.91 in (15 cm)
Package 2 width	5.91 in (15 cm)
Package 2 Length	15.75 in (40 cm)

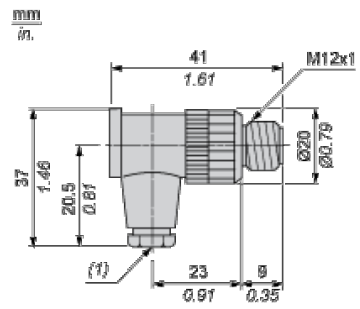
## Offer Sustainability

California proposition 65	WARNING: This product can expose you to chemicals including: Diisononyl phthalate (DINP), which is known to the State of California to cause cancer, and Di-isodecyl phthalate (DIDP), which is known to the State of California to cause birth defects or other reproductive harm. For more information go to <a href="http://www.P65Warnings.ca.gov">www.P65Warnings.ca.gov</a>
REACH Regulation	 <a href="#">REACH Declaration</a>
EU RoHS Directive	Pro-active compliance (Product out of EU RoHS legal scope)  <a href="#">EU RoHS Declaration</a>
Mercury free	Yes
RoHS exemption information	 <a href="#">Yes</a>

## Contractual warranty

Warranty	18 months
----------	-----------

Dimensions



(1) Cable gland : no. 7 plastic (Pg 7)

---

## Connections and Schemes

---

